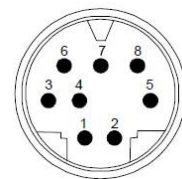
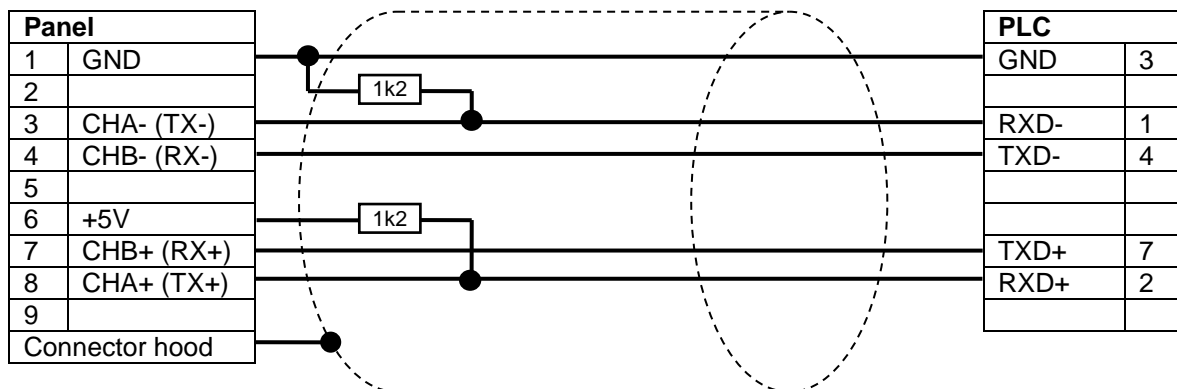


CA-EPMI1, eTOPx00 series - Mitsubishi FX, RS422 (Mini-DIN 8P male)

Date: December 11th, 2018
 Revision: 02
 Auteur: ES

Cable code	CA-EPMI1
Hiflex article number	18342 (CA-EPMI1-3 = 3 meter) 183425 (CA-EPMI1-5 = 5 meter)
Description	Exor eTOPx00 series serial port to Mitsubishi FXo Prog. Port – RS422
Type of Communication	RS422
Cable connector, panel side	D-sub type 9P male
Device Connector	Mini-DIN 8P male
Notes	Communication lines are shielded



Mini-DIN 8P

The schematics in this document are drawn as accurate as possible. Most cables are tested and approved. However there are still possibilities of errors. Hiflex strongly recommends that cables are tested before use in practice. Hiflex will not be held responsible for possible errors in this document.