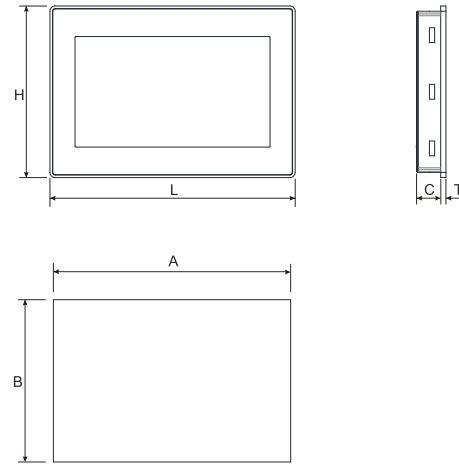




eX2xx

Installation guide
 Installationsanleitung
 Notice d'installation
 Guía de instalación
 Guida di installazione

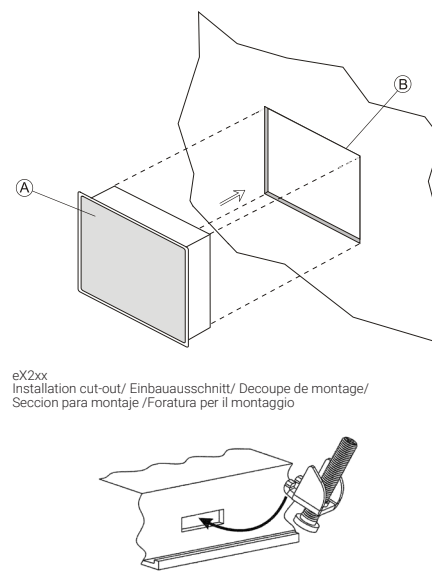
1 DIMENSION-CUT OUT/ ABMESSUNGEN-EINBAUausschnitt / DIMENSION-DECOUPE/ DIMENSIONES-SECCION/ DIMENSIONI-FORATURE



MODEL	C	H	L	T
eX205	29mm/01.14"	107mm/04.21"	147mm/05.79"	8mm/00.31"
eX207	29mm/01.14"	147mm/05.79"	187mm/07.36"	8mm/00.31"
eX210	29mm/01.14"	197mm/07.76"	282mm/11.10"	8mm/00.31"
eX215	35mm/01.38"	267mm/10.51"	422mm/16.61"	10mm/00.39"

MODEL	A	B
eX205	136mm/05.35"	96mm/3.78"
eX207	176mm/06.93"	136mm/5.35"
eX210	271mm/10.67"	186mm/7.32"
eX215	411mm/16.18"	256mm/10.08"

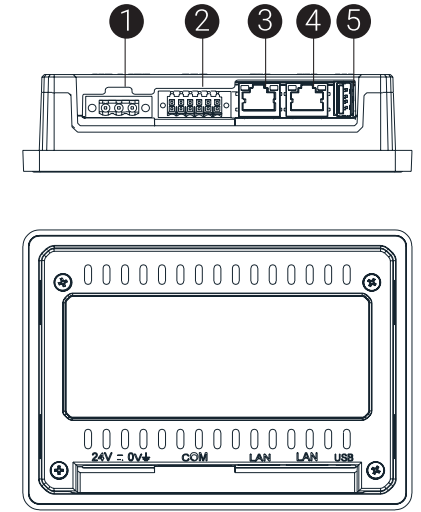
2 FIXING BRACKET/ BEFESTIGUNG/ MONTER ET SERRER LES ÉTRIERS/ PIEZAS DE SUJECCIÓN/ FISSAGGIO SUPPORTI



A. eX2xx
 B. Installation cut-out/ Einbauausschnitt/ Decoupe de montage/ Seccion para montaje /Foratura per il montaggio

Tightening torque: 75 Ncm
 Anzugsdrehmoment: 75 Ncm
 Couple de serrage: 75 Ncm
 Par de apriete: 75 Ncm
 Coppia di serraggio: 75 Ncm

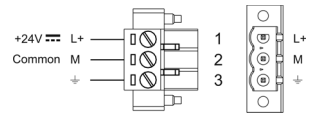
3 REAR VIEW/ RÜCKANSICHT/ FACE ARRIERE/ VISTA POSTERIOR/ VISTA POSTERIORE



1. Power Supply
2. Serial port/CAN port
3. Ethernet port
4. Ethernet port
5. USB port (vers. 2.0-1.1)

4 POWER SUPPLY/ SPANNUNGSVERSORGUNG/ ALIMENTATIO/ ALIMENTACION DE CORRIENTE/ ALIMENTAZIONE

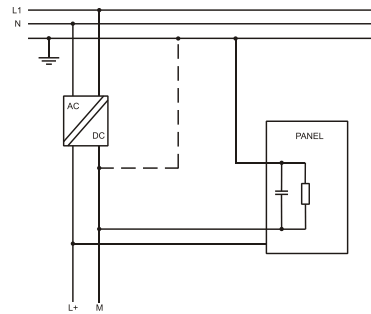
! Extra low voltage power supply / Limited power source.
 Kleinspannung Stromversorgung / Limitierte Stromquelle.
 Alimentation de voltage extra bas / tension d'alimentation limitée.
 Fuente de alimentación de extra baja tensión / Tensión limitada.
 Alimentatore a bassissima tensione di sicurezza / sorgente di potenza limitata.



DC Power Connector - AWG24 wire size - R/C Terminal Blocks (XCFR2), Female pitch 5.08mm, torque 4.5 lb-in (50Ncm)
 DC Spannungsklemme - AWG24 Drahtstärke - R/C Terminal Block (XCFR2), weibloch Teilung 5.08mm, Drehmoment 4.5 lb-in (50Ncm)
 Alimentateur DC - AWG24 taille de fil - Blockages terminales R/C (XCFR2), terrain Femme 5.08mm, couple 4.5 lb-in (50Ncm)
 Conector de alimentación - AWG24 tamaño del cable - R/C Regleta de Tornillos (XCFR2), el tono femenino 5.08mm, par de apriete 4.5 lb-in (50Ncm)
 Connettore di alimentazione - dimensione cavi AWG24 - R/C morsetti (XCFR2), femmina passo 5.08mm, coppia 4.5 lb-in (50 Ncm)

! Don't open the panel rear cover when the power supply is applied.
 Das Bediengerät nicht unter Spannung öffnen.
 N'ouvrez pas le couvercle arrière avec le pupitre sous tension.
 No abra la parte posterior del terminal cuando esté conectado a tensión.
 Non aprire l'involucro dei pannelli quando sono alimentati.

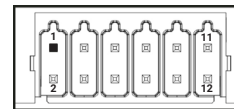
The unit must be grounded at all times via terminal 3 on the power terminal.
 Das Gerät muss jederzeit geerdet sein über Klemme 3 an der Netzklemme.
 L'appareil doit être mis à la terre à tout moment via la borne 3 de la borne d'alimentation.
 La unidad debe estar conectada a tierra en todo momento a través del terminal 3 en la terminal de alimentación.
 L'unità deve essere sempre collegata a terra tramite il terminale 3 sul morsetto di alimentazione.



! Ensure that the power supply has enough power capacity for the operation of the equipment.
 Stellen Sie sicher, dass die Spannungsversorgung genügend Leistungskapazität für den Betrieb des Gerätes aufweist.
 Assurez vous que votre alimentation possède suffisamment de puissance pour le pupitre.
 Assicurarsi che la fonte di alimentazione tiene sufficiente capacità per operare con el equipo.
 Verificare che l'alimentatore sia in grado di erogare la potenza necessaria per il corretto funzionamento dell'apparecchiatura.

5 CONNECTIONS / ANSCHLÜSSE/ RACCORDEMENTS/ CONEXIONES/ COLLEGAMENTI

SERIAL PORT / CAN PORT



PIN	
1	CAN-H
2	CAN 120 ohm
3	CAN-L
4	CAN-H
5	CAN-GND
6	CAN-SHIELD
7	GND
8	SHIELD
9	RTS / CHA+
10	CTS / CHB+
11	TXD / CHA-
12	RXD / CHB-

To enable CAN bus termination (R120Q) pins 1-2 must be connected externally.
 The RS485 GND and CAN GND pins are isolated from each other.
 RS485 SHIELD is internally connected to Earth via terminal 3 of the power connector./Um die CAN-Bus-Terminierung (R120Q) zu aktivieren, müssen die Pins 1-2 extern angeschlossen werden.
 Die RS485 GND- und CAN-GND-Pins sind voneinander isoliert.
 RS485 SHIELD wird intern über Klemme 3 des Stromanschlusses mit Erde verbunden./ Pour activer la terminaison de bus CAN (R120Q), les broches 1 et 2 doivent être connectées en externe.
 Les broches RS485 GND et CAN GND sont isolées les unes des autres.
 RS485 SHIELD est connecté en interne à la terre via la borne 3 du connecteur d'alimentation. / Para habilitar la terminación de bus CAN (R120Q), los pines 1-2 deben estar conectados externamente.
 Los pines RS485 GND y CAN GND están aislados entre sí.
 RS485 SHIELD se conecta internamente a tierra a través del terminal 3 del conector de alimentación./ Per abilitare la terminazione del bus CAN (R120Q) i pin 1-2 devono essere collegati esternamente.
 I pin RS485 GND e CAN GND sono isolati tra loro.
 RS485 SHIELD è collegato internamente a Terra tramite il terminale 3 del connettore di alimentazione.

6 TECHNICAL DATA / TECHNISCHE DATEN/ DONNÉES TECHNIQUES/ DATOS TÉCNICOS/ DATI TECNICI

eX205

System Resources	
Display - Colors	5" - 16.7 M
Resolution	800x480
Brightness	400 Cd/m² typ.
Dimming	Yes
Touchscreen	Projected Capacitive - Multitouch
CPU	64-bit RISC quad core - 1.6GHz
Operating System	Linux
Flash	4 GB
RAM	2 GB
FRAM	64 KB
Real Time Clock, RTC Back-up	Yes
Interface	
Ethernet port	2 (10/100 Mbit)
USB port	1 (Host v. 2.0, max. 500 mA)
Serial port	1 (RS-232, RS-485, RS-422, software configurable)
CAN port	1 (Isolated)
Buzzer	Yes
Indicator Light	1 (RGB LED)
Ratings	
Power supply	24 Vdc (9 to 32 Vdc)
Current Consumption	0.90A Max., Class 2
Input Protection	Automatic
Battery	Yes (Supercapacitor)
Environment Conditions	
Operating Temperature	-20°C to +55°C (vertical installation)
Storage Temperature	-30°C to +70°C
Operating / Storage Humidity	5-85% RH, non condensing
Protection Class*	IP66 (front), IP20 (rear)
Type	1, 4X12 (Indoor Use Only) Enclosure
Weight	0.5 Kg

*not UL evaluated

eX207

System Resources	
Display - Colors	7" - 16.7M
Resolution	1024x600
Brightness	400 Cd/m ² typ.
Dimming	Yes
Touchscreen	Projected Capacitive - Multitouch
CPU	64-bit RISC quad core - 1.6GHz
Operating System	Linux
Flash	4 GB
RAM	2 GB
FRAM	64 KB
Real Time Clock, RTC Back-up	Yes
Interface	
Ethernet port	2 (10/100 Mbit)
USB port	1 (Host v. 2.0, max. 500 mA)
Serial port	1 (RS-232, RS-485, RS-422, software configurable)
CAN port	1 (Isolated)
Buzzer	Yes
Indicator Light	1 (RGB LED)
Ratings	
Power supply	24 Vdc (9 to 32 Vdc)
Current Consumption	0.90A Max. , Class 2
Input Protection	Automatic
Battery	Yes (Supercapacitor)
Environment Conditions	
Operating Temperature	-20°C to +55°C (vertical installation)
Storage Temperature	-30°C to +70°C
Operating / Storage Humidity	5-85% RH, non condensing
Protection Class*	IP66 (front), IP20 (rear)
Type	1, 4X,12 (Indoor Use Only) Enclosure
Weight	0.7 Kg

*not UL evaluated

The products have been designed for use in an industrial environment in compliance with the 2014/30/EU directive / Diese Produkte wurden für die industrielle Nutzung hergestellt. Ihr Betrieb erfüllt die folgenden Bestimmungen 2014/30/EU / Ces pupitres ont été conçus pour utilisation dans un environnement industriel. Ils répondent aux normes 2014/30/UE / Estos productos están diseñados para su instalación en ambientes industriales cumpliendo con las norma 2014/30/UE / I prodotti sono stati progettati per l'impiego in ambiente industriale in conformità alla direttiva 2014/30/UE

The products have been designed in compliance with:
Die Produkte wurden konform den geltenden Normen und Standards erstellt:
Les produits ont été conçus en conformité aux normes:
El producto ha sido diseñado en conformidad con:
I prodotti sono stati progettati in conformità alle norme:

EN 61000-6-4

EN 61000-6-2

eX210

System Resources	
Display - Colors	10.1" - 16.7M
Resolution	1280x800
Brightness	400 Cd/m ² typ.
Dimming	Yes
Touchscreen	Projected Capacitive, Multitouch
CPU	64-bit RISC quad core - 1.6 GHz
Operating System	Linux
Flash	4 GB
RAM	2 GB
FRAM	64 KB
Real Time Clock, RTC Back-up	Yes
Interface	
Ethernet port	2 (10/100 Mbit)
USB port	1 (Host v. 2.0, max. 500 mA)
Serial port	1 (RS-232, RS-485, RS-422, software configurable)
CAN port	1 (Isolated)
Buzzer	Yes
Indicator Light	1 (RGB LED)
Ratings	
Power supply	24 Vdc (9 to 32 Vdc)
Current Consumption	1.1A Max. , Class 2
Input Protection	Automatic
Battery	Yes (Supercapacitor)
Environment Conditions	
Operating Temperature	-20°C to +55°C (vertical installation)
Storage Temperature	-30°C to +70°C
Operating / Storage Humidity	5-85% RH, non condensing
Protection Class*	IP66 (front), IP20 (rear)
Type	1, 4X,12 (Indoor Use Only) Enclosure
Weight	1.3 Kg

*not UL evaluated

eX215

System Resources	
Display - Colors	15.6" - 16.7M
Resolution	1920X1080
Brightness	350 Cd/m ² typ.
Dimming	Yes
Touchscreen	Projected Capacitive - Multitouch
CPU	64-bit RISC quad core - 1.6GHz
Operating System	Linux
Flash	4 GB
RAM	2 GB
FRAM	64 KB
Real Time Clock, RTC Back-up	Yes
Interface	
Ethernet port	2 (10/100 Mbit)
USB port	1 (Host v. 2.0, max. 500 mA)
Serial port	1 (RS-232, RS-485, RS-422, software configurable)
CAN port	1 (Isolated)
Buzzer	Yes
Indicator Light	1 (RGB LED)
Ratings	
Power supply	24 Vdc (9 to 32 Vdc)
Current Consumption	2.0A Max. , Class 2
Input Protection	Automatic
Battery	Yes (Supercapacitor)
Environment Conditions	
Operating Temperature	-20°C to +55°C (vertical installation)
Storage Temperature	-30°C to +70°C
Operating / Storage Humidity	5-85% RH, non condensing
Protection Class*	IP66 (front), IP20 (rear)
Type	1, 4X,12 (Indoor Use Only) Enclosure
Weight	3.2 Kg

*not UL evaluated

OPEN SOURCE SOFTWARE NOTICE

The complete list of the open source components included in the product, and the licenses thereof, may be found in the Web User Interface of the product itself, accessible via System Settings locally or at URL: https://IP/machine_config (System->Legal page). For at least three (3) years from delivery of this product (and, if provided by the applicable license, for the period in which this product is officially supported by Exor International), Exor International will give to any third party who contacts it at the contact information provided below, for a charge no more than the cost of physically performing source code distribution, a complete machine-readable copy of the corresponding source code (as defined in the applicable license) and of the installation instructions (if provided for, and as defined by the applicable license) of the open source components covered under LGPL or GPL licenses or other licenses with the obligation to do so.
Contact Information: oss.it@exorint.com
Other information available at: <https://oss.exorint.com/>



This device cannot be disposed of as a domestic waste but according to WEEE European Directive 2012/19/EU
Dieses Gerät darf nicht als Hausmüll entsorgt werden, sondern gemäß der WEEE-Richtlinie 2012/19/EU
Cet appareil ne peut pas être éliminé en tant que déchet domestique, mais conformément à la directive européenne DEEE 2012/19/UE
Este dispositivo no se puede tirar como un desecho doméstico, pero de acuerdo con la Directiva Europea RAEE 2012/19/UE
Questo dispositivo non può essere smaltito come rifiuto domestico ma secondo la Direttiva Europea RAEE 2012/19/UE



Reproduction of the contents of this copyrighted document, in whole or part, without written permission of Exor International S.p.A., is prohibited.
Dieses Dokument ist urheberrechtlich geschützt. Das Vervielfältigen in Auszügen oder im Ganzen darf nicht ohne die schriftliche Zustimmung von Exor International S. p. A. vorgenommen werden.
Il est interdit de reproduire ou transmettre tout ou partie de ce manuel, a quelques fins que ce soit, sans l'autorisation expresse de Exor International S.p.A.
Se prohíbe la reproducción de cualquier parte de este manual sin el permiso escrito de Exor International S.p.A.
Nessuna parte di questo manuale può essere riprodotta senza il preventivo permesso scritto di Exor International S.p.A.

User Manual available on/ Benutzerhandbuch verfügbar auf/ Manuel de l'utilisateur disponible sur/ Manual de usuario disponible/ Manuale utente disponibile su:
www.exorint.com

MANEX2xxJ501 V.1.04 30.10.2024

©2024 Exor International S.p.A.
Exor International S.p.A. - San Giovanni Lupatoto VR, Italy
www.exorint.com