

# eTOP510 Tech-Note

The UniOP eTOP Series 500 HMI products combine state-of-the-art features and top performance with an outstanding design. They are the ideal choice for all demanding HMI applications including factory and building automation.

The eTOP510 features a bright 10"4 TFT display with a fully dimmable LED backlight.

The JMobile software offers full vector graphic capabilities and plenty of connectivity options.



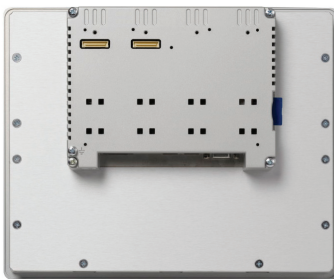
- 10"4 SVGA TFT color display, LED backlight
- 800x600 pixel (SVGA) resolution, 64K colors
- Resistive touchscreen
- 2 Ethernet ports with switch function
- 2 USB Host ports
- SD Card Slot
- Connection to fieldbus systems and I/O using optional plug-in modules
- Slim design. Mounting depth less than 50mm

## Highlights

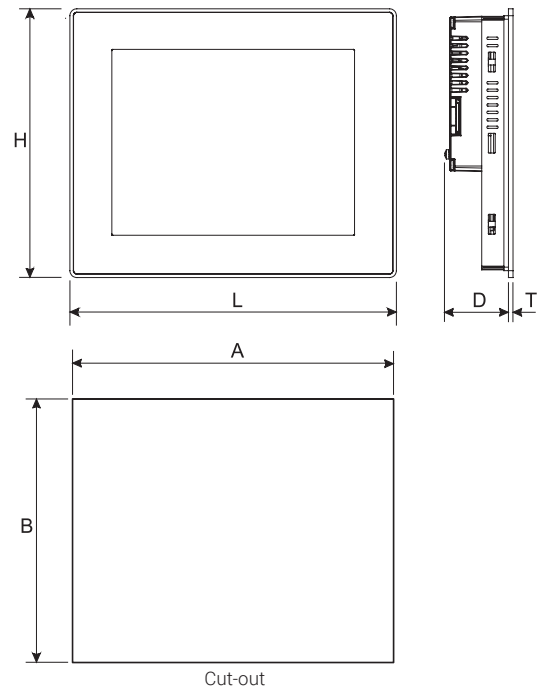
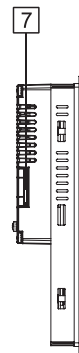
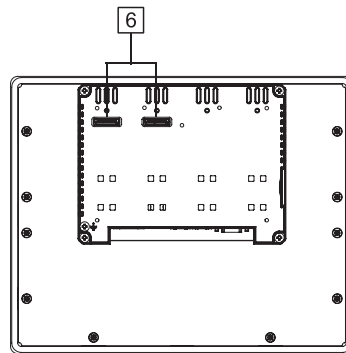
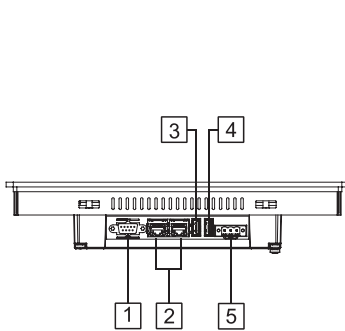
The eTOP Series 500 HMI panels have been designed to run the JMobile software.

- JMobile runtime included. Full compatibility with JMobile Studio.
- Full vector graphic support. Native support of SVG graphic objects. Transparency and alpha blending.
- Full object dynamics: control visibility and transparency, move, resize, rotate any object on screen. Change properties of basic and complex objects.
- TrueType fonts
- Multilanguage applications. Easily create and manage your applications in multiple languages to meet global requirements. Far East languages are supported. Tools available in JMobile Studio support easy third-party translations and help reducing development and maintenance costs of the application
- Data display in numerical, text, bargraph, analog gauges and graphic image formats.
- Rich set of state-of-the-art HMI features: data acquisition, alarm handling, scheduler and timed actions (daily and weekly schedulers, exception dates), recipes, users and passwords, e-mail and RSS feeds, rotating menus
- Includes support for a wide range of communication drivers for Factory and Building Automation systems.
- Multiple drivers communication capability.
- Remote monitoring and control. Client-Server functionality. Mobile clients supported.
- Remote maintenance and support with VNC-based functionality.
- Off-line simulation of the HMI application with JMobile Studio.
- Powerful scripting language for automating HMI applications. Script debugging improves efficiency in application development.
- Rich gallery of symbols and objects
- Project templates
- Optional plug-in modules for fieldbus systems, I/O and controllers.
- Display backlight dimmable to 0%

# eTOP510 - Technical Data



System Resources	
Display - Colors	10"4 TFT LED - 64K
Resolution	800x600, SVGA
Brightness	300 Cd/m <sup>2</sup> typ.
Dimming	to 0%
Touchscreen	Resistive
CPU	ARM Cortex-A8 - 1 GHz
Operating System	Microsoft Windows CE 6.0
Flash	256 MB
RAM	256 MB DDR
Real Time Clock, RTC Back-up, Buzzer	Yes, Yes, Yes
Interface	
Ethernet port	2 (port 0 - 10/100, port 1 - 10/100) with integrated Switch
USB port	2 (port 1 - Host V2.0, port 2 - Host V2.0/1.1)
Serial port	1 (RS-232, RS-485, RS-422, MPI software configurable)
SD card	Yes
Expansion	2 slot for plug in modules
Ratings	
Power supply	24 Vdc (10 to 32 Vdc)
Current Consumption	1 A at 24 Vdc (max.)
Input Protection	Automatic
Battery	Rechargeable Lithium battery, not user-replaceable
Environment Conditions	
Operating Temp	-0 to +50 °C
Storage Temp	-20 to +70 °C
Operating / Storage Humidity	5-85% RH, non condensing
Protection Class	IP66 (front), IP20 (rear)
Dimensions and Weights	
Faceplate LxH	287x232 mm (11.3x9.13")
Cutout AxB	276x221 mm (10.86x8.70")
Depth D+T	56+4 mm (2.20+0.16")
Weight	Approx. 2.1 Kg
Approvals	
CE	Emission EN 61000-6-4 Immunity EN 61000-6-2 for installation in industrial environments
UL	cULus: UL508
UL	cULus: Class I Div. 2
DNV-GL	Yes
RCM	Yes



- 1 Serial Port
- 2 2x Ethernet Port
- 3 USB port (version 2.0 - 1.1)
- 4 USB port (version 2.0 High speed only)
- 5 Power Supply
- 6 2x Expansion slot for Plugin module
- 7 SD Card Slot

## Ordering Information

Model	Part Number	Description
eTOP510-White	+ETOP510U1P1	10"4 TFT color touchscreen with Ethernet and USB interfaces. White front panel. JMobile runtime.
eTOP510-Silver	+ETOP510U2P1	10"4 TFT color touchscreen with Ethernet and USB interfaces. Silver front panel. JMobile runtime.
eTOP510-Black	+ETOP510U3P1	10"4 TFT color touchscreen with Ethernet and USB interfaces. Black front panel. JMobile runtime.
PROTFOIL-10-GL	R-PROT14	Disposable protection foil for 10"4 eTOP touch panels (10 pieces).
PROTFOIL-10-UV	R-PROT20	Disposable protection foil for 10"4 eTOP touch panels (10 pieces). UV resistant.