

H3 Tech-Note

Wired Handheld 5" TFT ARM Cortex-A8 - 600 MHz

- 5" TFT color display
- 480x272 pixel resolution, 64K colors
- Resistive touchscreen
- Ethernet connection or serial connection
- USB Host port
- Emergency Stop button and Enabling Switch
- 2 potentiometers
- 1 optional handwheel
- 19 user-programmable selection keys
- Hanging magnets



Highlights

The H3 Wired Handheld HMI is the compact and ergonomic handheld with small dimensions and weight. Its integrated devices (Keyboard, potentiometers, handwheel) can be fully programmed assuring a quick integration with your automation project. H3 includes an emergency stop button and a three-positions enabling switch.

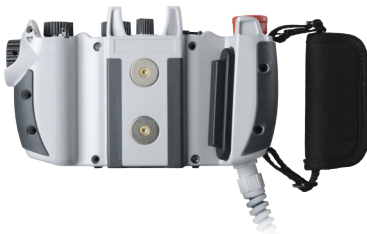
H3 is available either with Ethernet or serial interface.

The H3 handheld has been designed to run the JMobile software.

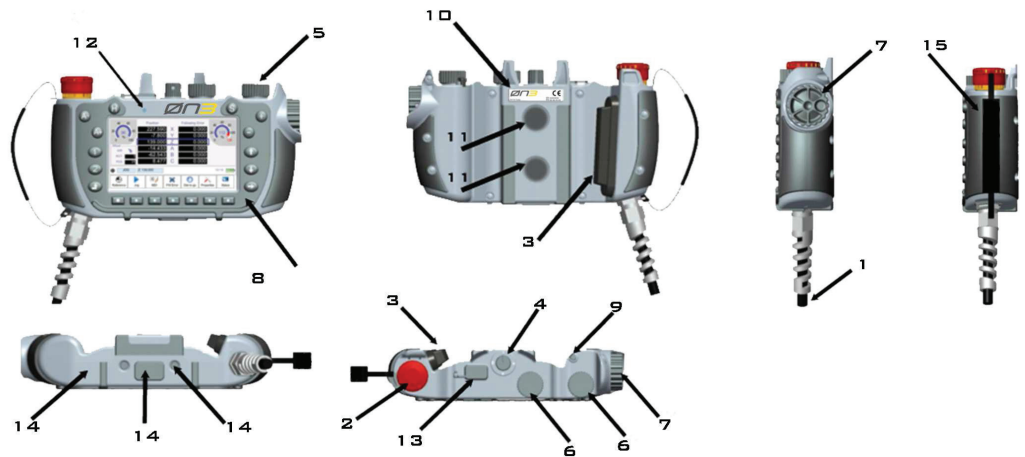
- JMobile runtime included. Full compatibility with JMobile Studio.
- Full vector graphic support. Native support of SVG graphic objects. Transparency and alpha blending.
- Full object dynamics: control visibility and transparency, move, resize, rotate objects on screen. Change properties of basic and complex objects.
- TrueType fonts
- Multilanguage applications. Easily create and manage your applications in multiple languages to meet global requirements.
- Rich set of state-of-the-art HMI features: graphical presentation of data presentation, data acquisition, alarm handling, scheduler and timed actions, recipe data storage, users and passwords, e-mail and RSS feeds, rotating menus.
- Wide selection of communication drivers for factory and building automation.
- Multiple drivers communication capability.
- Indexed addressing and cross-reference viewer.
- Remote monitoring and control. Client-Server functionality. Mobile clients supported.
- Remote maintenance and support with VNC-based functionality.
- Off-line and on-line simulation of the HMI application with JMobile Studio.
- Powerful scripting language for automating HMI applications. Includes script debugger.
- Create and print reports to printers and to file.
- Page templates to simplify application design.
- Rich gallery of symbols and objects.
- MediaPlayer widget
- IP Network camera widget
- Optional CoDeSys SoftPLC
- Optional connection box for fast installation and connection.

H3 - Technical Data

System Resources	
Display - Colors	TFT LED - 64K
Resolution	480x272
Brightness	300 Cd/m ² typ.
Dimming	to 0%
Touchscreen	Resistive
CPU	ARM Cortex-A8 - 600 MHz
Operating System	Microsoft Windows CE 6.0
Flash	128 MB
RAM	256 MB
Real Time Clock, RTC Back-up	Yes
Handwheel	Yes (option)
Potentiometer	2
State Selector Switch	16 positions
Emergency stop	Yes, Hardwired
Enabling Switch	Hardwired, 3-positions
Interface	
Ethernet	10/100 Mbit (selected models)
USB port	1 Host V2.0
Serial	1 RS-232, RS-422, RS-485 (selected models)
Ratings	
Power supply (charging station)	24 Vdc (18 to 30 Vdc)
Current Consumption	0.25 A at 24 Vdc (max.)
Input Protection	Automatic
Battery	Rechargeable Lithium battery, not user-replaceable
Environment Conditions	
Operating Temp	+5 to +45°C
Storage Temp	-20 to +70°C
Operating / Storage Humidity	5-95% RH, non condensing
Protection Class	IP64
Dimensions and Weights	
Faceplate LxH	220x130 mm
Depth D+T	50 mm
Weight	Approx 0.8 Kg, (not including cable)
Approvals	
CE	Emission EN 61000-6-4 Immunity EN 61000-6-2 for installation in industrial environments
UL	cULus: UL508 (only +EP3H3REJ2H0YE2, +EP3H3REJ4H0YE2)
RCM	Yes



- 1 Cable
- 2 Emergency stop push-button
- 3 Enabling device
- 4 State Selector
- 5 Screen
- 6 Potentiometers
- 7 Handwheel (Optional)
- 8 Membrane Keypad
- 9 Touchscreen pen
- 10 Sticker
- 11 Mounting magnets
- 12 Status LED's
- 13 Rubber cup for USB
- 14 Protecting covers
- 15 Hand Grip



Ordering Information

Model	Part Number	Description
H3	+EP3H3REJ200YE1	HMI H3 0N3 WIRED 10 m ETHERNET JM
H3	+EP3H3REJ400YE1	HMI H3 0N3 WIRED 20 m ETHERNET JM
H3	+EP3H3REJ2H0YE1	HMI H3 0N3 WIRED 10 m ETH+HANDWHEEL JM
H3	+EP3H3REJ4H0YE1	HMI H3 0N3 WIRED 20 m ETH+HANDWHEEL JM
H3	+EP3H3RSJ200YE1	HMI H3 0N3 WIRED 10 m SERIAL JM
H3	+EP3H3RSJ2H0YE1	HMI H3 0N3 WIRED 10 m SERIAL+HANDWHEEL JM
H3	+EP3H3REJ2H0YE2	HMI H3 0N3 10 m ETH+HANDWHEEL CIRCULAR CONNECTOR JM - UL APPROVAL
H3	+EP3H3REJ4H0YE2	HMI H3 0N3 20 m ETH+HANDWHEEL CIRCULAR CONNECTOR JM - UL APPROVAL
H3	+EP3H00000X0YA2	CONNECTION BOX H3 CIRCULAR CONNECTOR - UL APPROVAL
H3	+EP3H00000B0YA0	STANDBY STATION H3 - HOLDER FOR H3