

# eTOP-IPC1040P - Technical Data



## Panel

- LCD size: 10.1", 16:9
- Resolution: WXGA 1280 x 800
- Luminance: 300cd/m2
- Contrast ratio: 1300:1
- LCD color: 262K
- Viewing angle: 85 (U), 85 (D), 85 (L), 85 (R)
- Backlight: LED

## Touch

- Ten points P-Cap (projected capacitive touch)
- Touch light transmission: 90%
- Anti-scratch surface: 7H hardness
- Touch interface: USB

## System

- CPU: onboard Intel® Celeron® Quad Core processor J1900, 2.0GHz, 2M L2 Cache (maximum frequency 2.42GHz if turbo boost enabled)
- BIOS: AMI BIOS
- System memory: 2 x 204-pin DDR3L SO-DIMM socket, 4GB DDR3L (default), support up to 8GB DDR3L-1066/1333, non-ECC and un-buffered
- Storage device:
  - 1 x External locked CFast socket
  - 1 x Hard drive bay: optional 1 x 2.5" SATA HDD or 1 x SATA DOM
- Watchdog timer: Watchdog timeout can be programmable by software from 1 second to 255 seconds and from 1 minute to 255 minutes (tolerance 15% under room temperature 25°C)
- H/ W status monitor: monitoring system temperature, and voltage
- Expansion: 2 x mini-PCIe sockets (support optional Wi-Fi, 3.5G module)
- Front LED indicator to show operating status

## Rear I/O

- Ethernet: 2 x RJ45
- 2nd display VGA port: 1 x DB15
- Audio port: 1 x Line-out
- USB: 2 x USB 2.0, 1 x USB 3.0
- 2-pin remote power on/off switch
- Power switch
- Reset button

- COM #1: RS232/422/485 w/ 2.5kv isolated
- COM #2: RS232/422/485 w/ 2.5kv isolated

## Audio

- HD codec: Realtek ALC886-GR
- Audio interface: Line-out audio jack

## Ethernet

- LAN chip: dual Intel® I210AT Gigabit LAN
- Ethernet interface: 10/100/1000 based-Tx Ethernet compatible

## Mechanical & Environment

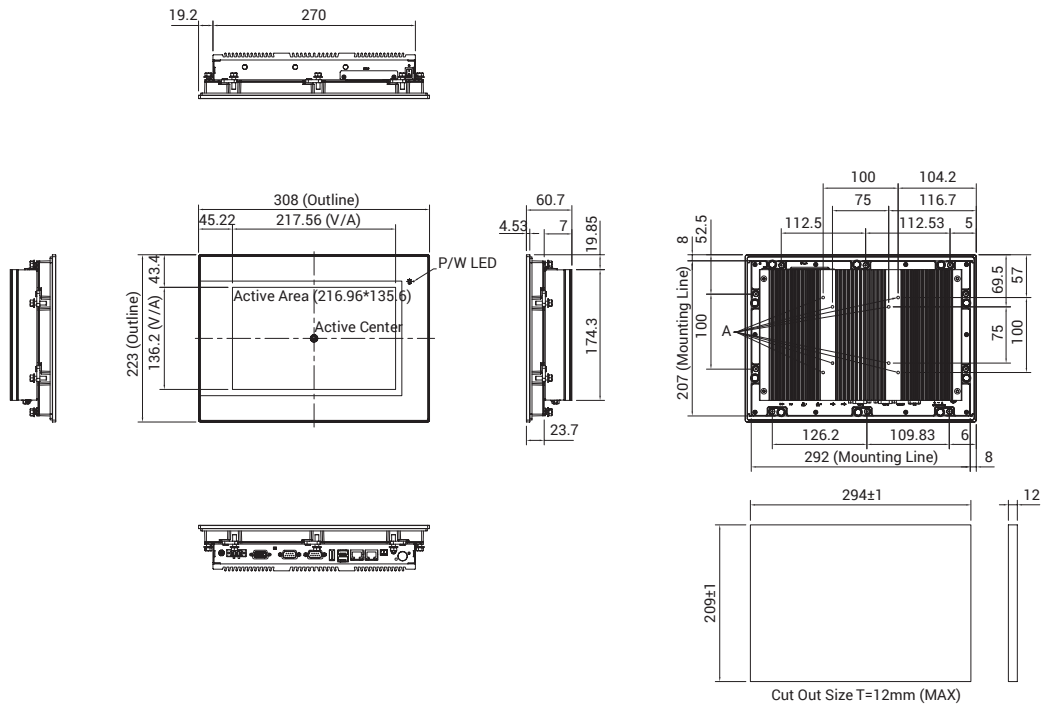
- Color: Pantone 432C/RAL 70 24 front bezel
- IP protection: IP66 front
- Mounting: panel/wall/stand/VESA 100mm x 100mm
- System with panel mounting kit w/o panel mounting hole
- Power input: 12~30VDC
- Power adapter: optional AC to DC power adapter (+12V, 60W)
- Vibration:
  - IEC 68 2-64 (w/ HDD)
  - 1Grms @ sine, 5~500Hz, 1hr/axis (HDD operating)
  - 2Grms @ sine, 5~500Hz, 1hr/axis (CFast operating)
  - 2.2Grms @ random condition, 5~500Hz, 0.5hr/axis (non-operating)
- Shock:
  - IEC 68 2-27
  - HDD: 20G@wall mount, half sine, 11ms
- Operating temperature: -10°C to 60°C
- Storage temperature: -20°C to 75°C
- Operating humidity: 10%~90% relative humidity, non-condensing
- Dimension: 308 x 223 x 60.7mm
- Weight: 3.7Kg

## Certifications

- CE (including EN61000-6-2/EN61000-6-4)
- FCC class A

## OS Support Lists

- Windows 7 PRO, 32bit/64bit
- Windows Embedded Standard 7, 32bit/64bit
- Windows 10 IoT, 32bit/64bit



## Ordering Information

Model	Part Number	Description
eTOP-IPC1040P	+72IPC1040P	10.1" TFT WXGA 16:9 Heavy Industrial Panel PC with Intel® Celeron® Quad Core Processor J1900, up to 2.42GHz, Multi-Touch Screen, 4GB DDR3L, 3 x USB, 2 x COM