

SJ200₂ Series Inverter Instruction Manual

- Single-phase Input 200V Class
- Three-phase Input 200V Class
- Three-phase Input 400V Class



Manual Number: NB670X
July 2006

After reading this manual,
keep it handy for future reference.

Hitachi Industrial Equipment Systems Co., Ltd.

Safety Messages

For the best results with the SJ2002 Series inverter, carefully read this manual and all of the warning labels attached to the inverter before installing and operating it, and follow the instructions exactly. Keep this manual handy for quick reference.

Definitions and Symbols

A safety instruction (message) includes a “Safety Alert Symbol” and a signal word or phrase such as **WARNING** or **CAUTION**. Each signal word has the following meaning:



HIGH VOLTAGE: This symbol indicates high voltage. It calls your attention to items or operations that could be dangerous to you and other persons operation this equipment. Read the message and follow the instructions carefully.



WARNING: Indicates a potentially hazardous situation that, if not avoided, can result in serious injury or death.



CAUTION: Indicates a potentially hazardous situation that, if not avoided, can result in minor to moderate injury, or serious damage to the product. The situation described in the **CAUTION** may, if not avoided, lead to serious results. Important safety measures are described in **CAUTION** (as well as **WARNING**), so be sure to observe them.



Step 1: Indicates a step in a series of action steps required to accomplish a goal. The number of the step will be contained in the step symbol.



NOTE: Notes indicate an area or subject of special merit, emphasizing either the product’s capabilities or common errors in operation or maintenance.



TIP: Tips give a special instruction that can save time or provide other benefits while installing or using the product. The tip calls attention to an idea that may not be obvious to first-time users of the product.

Hazardous High Voltage



HIGH VOLTAGE: Motor control equipment and electronic controllers are connected to hazardous line voltages. When servicing drives and electronic controllers, there may be exposed components with housings or protrusions at or above line potential. Extreme care should be taken to protect against shock.

Stand on an insulating pad and make it a habit to use only one hand when checking components. Always work with another person in case an emergency occurs. Disconnect power before checking controllers or performing maintenance. Be sure equipment is properly grounded. Wear safety glasses whenever working on electronic controllers or rotating machinery.

General Precautions - Read These First!



WARNING: This equipment should be installed, adjusted, and serviced by qualified electrical maintenance personnel familiar with the construction and operation of the equipment and the hazards involved. Failure to observe this precaution could result in bodily injury.



WARNING: The user is responsible for ensuring that all driven machinery, drive train mechanism not supplied by Hitachi Industrial Equipment Systems Co., Ltd., and process line material are capable of safe operation at an applied frequency of 150% of the maximum selected frequency range to the AC motor. Failure to do so can result in destruction of equipment and injury to personnel should a single-point failure occur.



WARNING: For equipment protection, install a ground leakage type breaker with a fast response circuit capable of handling large currents. The ground fault protection circuit is not designed to protect against personal injury.



WARNING: HAZARD OF ELECTRICAL SHOCK. DISCONNECT INCOMING POWER BEFORE WORKING ON THIS CONTROL.



WARNING: Wait at least five (5) minutes after turning OFF the input power supply before performing maintenance or an inspection. Otherwise, there is the danger of electric shock.



CAUTION: These instructions should be read and clearly understood before working on SJ2002 series equipment.



CAUTION: Proper grounds, disconnecting devices and other safety devices and their location are the responsibility of the user and are not provided by Hitachi Industrial Equipment Systems Co., Ltd.



CAUTION: Be sure to connect a motor thermal disconnect switch or overload device to the SJ2002 series controller to assure that the inverter will shut down in the event of an overload or an overheated motor.



HIGH VOLTAGE: Dangerous voltage exists until power light is OFF. Wait at least five (5) minutes after input power is disconnected before performing maintenance.



WARNING: This equipment has high leakage current and must be permanently (fixed) hard-wired to earth ground via two independent cables.



WARNING: Rotating shafts and above-ground electrical potentials can be hazardous. Therefore, it is strongly recommended that all electrical work conform to the National Electrical Codes and local regulations. Installation, alignment and maintenance should be performed only by qualified personnel.

Factory-recommended test procedures included in the instruction manual should be followed. Always disconnect electrical power before working on the unit.



CAUTION:

- a) Class I motor must be connected to earth ground via low resistive path ($< 0.1\Omega$)
- b) Any motor used must be of a suitable rating.
- c) Motors may have hazardous moving parts. In this event suitable protection must be provided.



CAUTION: Alarm connection may contain hazardous live voltage even when inverter is disconnected. When removing the front cover for maintenance or inspection, confirm that incoming power for alarm connection is completely disconnected.



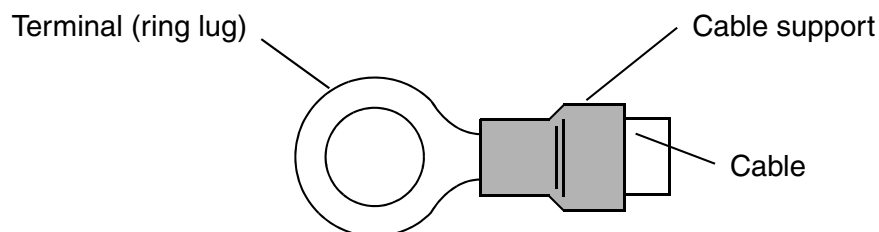
CAUTION: Hazardous (main) terminals for any interconnection (motor, contact breaker, filter, etc.) must be inaccessible in the final installation.



CAUTION: This equipment should be installed in IP54 or equivalent (see EN60529) enclosure. The end application must be in accordance with BS EN60204-1. Refer to the section “Choosing a Mounting Location” on page 2–10. The diagram dimensions are to be suitably amended for your application.



CAUTION: Connection to field wiring terminals must be reliably fixed having two independent means of mechanical support. Use a termination with cable support (figure below), or strain relief, cable clamp, etc.












CAUTION: A double-pole disconnection device must be fitted to the incoming main power supply close to the inverter. Additionally, a protection device meeting IEC947-1/IEC947-3 must be fitted at this point (protection device data shown in “Determining Wire and Fuse Sizes” on page 2–18).






NOTE: The above instructions, together with any other requirements highlighted in this manual, must be followed for continued LVD (European Low Voltage Directive) compliance.







Index to Warnings and Cautions in This Manual

Cautions and Warnings for Orientation and Mounting Procedures




	CAUTION: Hazard of electrical shock. Disconnect incoming power before working on this control. Wait five (5) minutes before removing the front cover. 2-4
	CAUTION: Be sure to install the unit on flame-resistant material such as a steel plate. Otherwise, there is the danger of fire. 2-10
	CAUTION: Be sure not to place any flammable materials near the inverter. Otherwise, there is the danger of fire. 2-10
	CAUTION: Be sure not to let the foreign matter enter vent openings in the inverter housing, such as wire clippings, spatter from welding, metal shavings, dust, etc. Otherwise, there is the danger of fire. 2-10
	CAUTION: Be sure to install the inverter in a place that can bear the weight according to the specifications in the text (Chapter 1, Specifications Tables). Otherwise, it may fall and cause injury to personnel. 2-10
	CAUTION: Be sure to install the unit on a perpendicular wall that is not subject to vibration. Otherwise, it may fall and cause injury to personnel. 2-10
	CAUTION: Be sure not to install or operate an inverter that is damaged or has missing parts. Otherwise, it may cause injury to personnel. 2-10
	CAUTION: Be sure to install the inverter in a well-ventilated room that does not have direct exposure to sunlight, a tendency for high temperature, high humidity or dew condensation, high levels of dust, corrosive gas, explosive gas, inflammable gas, grinding-fluid mist, salt damage, etc. Otherwise, there is the danger of fire. 2-10
	CAUTION: Be sure to maintain the specified clearance area around the inverter and to provide adequate ventilation. Otherwise, the inverter may overheat and cause equipment damage or fire. 2-11

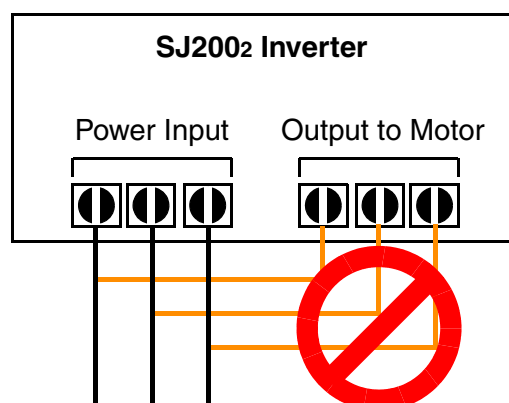
Wiring - Warnings for Electrical Practices and Wire Specifications

	WARNING: "Use 60/75°C Cu wire only" or equivalent. 2-17
	WARNING: "Open Type Equipment." 2-17
	WARNING: "Suitable for use on a circuit capable of delivering not more than 100,000 rms symmetrical amperes, 240 V maximum." For models with suffix N or L. 2-17

-  WARNING: “Suitable for use on a circuit capable of delivering not more than 100,000 rms symmetrical amperes, 480 V maximum.” For models with suffix H. 2-17
-  HIGH VOLTAGE: Be sure to ground the unit. Otherwise, there is a danger of electric shock and/or fire. 2-17
-  HIGH VOLTAGE: Wiring work shall be carried out only by qualified personnel. Otherwise, there is a danger of electric shock and/or fire. 2-17
-  HIGH VOLTAGE: Implement wiring after checking that the power supply is OFF. Otherwise, you may incur electric shock and/or fire. 2-17
-  HIGH VOLTAGE: Do not connect wiring to an inverter or operate an inverter that is not mounted according the instructions given in this manual. Otherwise, there is a danger of electric shock and/or injury to personnel. 2-17
-  WARNING: Make sure the input power to the inverter is OFF. If the drive has been powered, leave it OFF for five minutes before continuing. 2-23

Wiring - Cautions for Electrical Practices

-  CAUTION: Fasten the screws with the specified fastening torque in the table below. Check for any loosening of screws. Otherwise, there is the danger of fire. 2-19
-  CAUTION: Be sure that the input voltage matches the inverter specifications: • Single/Three phase 200 to 240 V 50/60 Hz (up to 2.2kW) for NFE(F)/NFU models • Three phase 200 to 240V 50/60Hz (above 2.2kW) for LFU models • Three phase 380 to 480 V 50/60Hz for HFE(F) models 2-21
-  CAUTION: If you power a 3-phase-only inverter with single phase power, you must derate the output current. Be sure to call your Hitachi distributor for assistance. Otherwise, there is the possibility of damage to the inverter and the danger of fire. 2-21





CAUTION: Be sure not to connect an AC power supply to the output terminals. Otherwise, there is the possibility of damage to the inverter and the danger of injury and/or fire. 2-21



CAUTION: Remarks for using ground fault interrupter breakers in the main power supply: Adjustable frequency inverters with CE-filters (RFI-filter) and shielded (screened) motor cables have a higher leakage current toward Earth GND. Especially at the moment of switching ON this can cause an inadvertent trip of ground fault interrupters. Because of the rectifier on the input side of the inverter there is the possibility to stall the switch-off function through small amounts of DC current. Please observe the following: • Use only short time-invariant and pulse current-sensitive ground fault interrupters with higher trigger current. • Other components should be secured with separate ground fault interrupters. • Ground fault interrupters in the power input wiring of an inverter are not an absolute protection against electric shock. 2-21



CAUTION: Be sure to install a fuse in each phase of the main power supply to the inverter. Otherwise, there is the danger of fire. 2-21



CAUTION: For motor leads, ground fault interrupter breakers and electromagnetic contactors, be sure to size these components properly (each must have the capacity for rated current and voltage). Otherwise, there is the danger of fire. 2-21

Powerup Test Caution Messages



CAUTION: The heat sink fins will have a high temperature. Be careful not to touch them. Otherwise, there is the danger of getting burned. 2-24



CAUTION: The operation of the inverter can be easily changed from low speed to high speed. Be sure to check the capability and limitations of the motor and machine before operating the inverter. Otherwise, there is the danger of injury. 2-24



CAUTION: If you operate a motor at a frequency higher than the inverter standard default setting (50Hz/60Hz), be sure to check the motor and machine specifications with the respective manufacturer. Only operate the motor at elevated frequencies after getting their approval. Otherwise, there is the danger of equipment damage and/or injury. 2-24, 2-30



CAUTION: Check the following before and during the powerup test. Otherwise, there is the danger of equipment damage. • Is the shorting bar between the [+1] and [+] terminals installed? DO NOT power or operate the inverter if the jumper is removed. • Is the direction of the motor rotation correct? • Did the inverter trip during acceleration or deceleration? • Were the rpm and frequency meter readings as expected? • Were there any abnormal motor vibrations or noise? 2-24

Warnings for Configuring Drive Parameters



WARNING: When parameter B012, level of electronic thermal setting, is set to motor FLA rating (Full Load Ampere nameplate rating), the inverter provides solid state motor overload protection at 115% of motor FLA or equivalent. If parameter B012 exceeds the motor FLA rating, the motor may overheat and be damaged. Parameter B012, level of electronic thermal setting, is a variable parameter. 3–34

Cautions for Configuring Drive Parameters



CAUTION: Be careful to avoid specifying a braking time that is long enough to cause motor overheating. If you use DC braking, we recommend using a motor with a built-in thermistor, and wiring it to the inverter's thermistor input (see "Thermistor Thermal Protection" on page 4–26). Also refer to the motor manufacturer's specifications for duty-cycle recommendations during DC braking. 3–20

Warnings for Operations and Monitoring



WARNING: Be sure to turn ON the input power supply only after closing the front case. While the inverter is energized, be sure not to open the front case. Otherwise, there is the danger of electric shock. 4–3



WARNING: Be sure not to operate electrical equipment with wet hands. Otherwise, there is the danger of electric shock. 4–3



WARNING: While the inverter is energized, be sure not to touch the inverter terminals even when the motor is stopped. Otherwise, there is the danger of electric shock. 4–3



WARNING: If the Retry Mode is selected, the motor may suddenly restart after a trip stop. Be sure to stop the inverter before approaching the machine (be sure to design the machine so that safety for personnel is secure even if it restarts.) Otherwise, it may cause injury to personnel. 4–3









WARNING: If the power supply is cut OFF for a short period of time, the inverter may restart operation after the power supply recovers if the Run command is active. If a restart may pose danger to personnel, so be sure to use a lock-out circuit so that it will not restart after power recovery. Otherwise, it may cause injury to personnel. 4–3









WARNING: The Stop Key is effective only when the Stop function is enabled. Be sure to enable the Stop Key separately from the emergency stop. Otherwise, it may cause injury to personnel. 4–3



WARNING: During a trip event, if the alarm reset is applied and the Run command is present, the inverter will automatically restart. Be sure to apply the alarm reset only after verifying the Run command is OFF. Otherwise, it may cause injury to personnel. 4–3

	WARNING: Be sure not to touch the inside of the energized inverter or to put any conductive object into it. Otherwise, there is a danger of electric shock and/or fire. 4-3
	WARNING: If power is turned ON when the Run command is already active, the motor will automatically start and injury may result. Before turning ON the power, confirm that the RUN command is not present. 4-3
	WARNING: When the Stop key function is disabled, pressing the Stop key does not stop the inverter, nor will it reset a trip alarm. 4-3
	WARNING: Be sure to provide a separate, hard-wired emergency stop switch when the application warrants it. 4-3
	WARNING: If the power is turned ON and the Run command is already active, the motor starts rotation and is dangerous! Before turning power ON, confirm that the Run command is not active. 4-12
	WARNING: After the Reset command is given and the alarm reset occurs, the motor will restart suddenly if the Run command is already active. Be sure to set the alarm reset after verifying that the Run command is OFF to prevent injury to personnel. 4-25

Cautions for Operations and Monitoring

	CAUTION: The heat sink fins will have a high temperature. Be careful not to touch them. Otherwise, there is the danger of getting burned. 4-2
	CAUTION: The operation of the inverter can be easily changed from low speed to high speed. Be sure check the capability and limitations of the motor and machine before operating the inverter. Otherwise, it may cause injury to personnel. 4-2
	CAUTION: If you operate a motor at a frequency higher than the inverter standard default setting (50Hz/60Hz), be sure to check the motor and machine specifications with the respective manufacturer. Only operate the motor at elevated frequencies after getting their approval. Otherwise, there is the danger of equipment damage. 4-2
	CAUTION: It is possible to damage the inverter or other devices if your application exceeds the maximum current or voltage characteristics of a connection point. 4-4
	CAUTION: Be sure to turn OFF power to the inverter before changing the SR/SK switch position. Otherwise, damage to the inverter circuitry may occur. 4-9
	CAUTION: Be careful not to turn PID Clear ON and reset the integrator sum when the inverter is in Run Mode (output to motor is ON). Otherwise, this could cause the motor to decelerate rapidly, resulting in a trip. 4-29

Warnings and Cautions for Troubleshooting and Maintenance



WARNING: Wait at least five (5) minutes after turning OFF the input power supply before performing maintenance or an inspection. Otherwise, there is the danger of electric shock. 6-2



WARNING: Make sure that only qualified personnel will perform maintenance, inspection, and part replacement. Before starting to work, remove any metallic objects from your person (wristwatch, bracelet, etc.). Be sure to use tools with insulated handles. Otherwise, there is a danger of electric shock and/or injury to personnel. 6-2



WARNING: Never remove connectors by pulling on its wire leads (wires for cooling fan and logic P.C.board). Otherwise, there is a danger of fire due to wire breakage and/or injury to personnel. 6-2



CAUTION: Do not connect the megger to any control circuit terminals such as intelligent I/O, analog terminals, etc. Doing so could cause damage to the inverter. 6-10



CAUTION: Never test the withstand voltage (HIPOT) on the inverter. The inverter has a surge protector between the main circuit terminals above and the chassis ground. 6-10



HIGH VOLTAGE: Be careful not to touch wiring or connector terminals when working with the inverters and taking measurements. Be sure to place the measurement circuitry components above in an insulated housing before using them. 6-14

General Warnings and Cautions



WARNING: Never modify the unit. Otherwise, there is a danger of electric shock and/or injury.



CAUTION: Withstand voltage tests and insulation resistance tests (HIPOT) are executed before the units are shipped, so there is no need to conduct these tests before operation.



CAUTION: Do not attach or remove wiring or connectors when power is applied. Also, do not check signals during operation.



CAUTION: Be sure to connect the grounding terminal to earth ground.



CAUTION: When inspecting the unit, be sure to wait five minutes after tuning OFF the power supply before opening the cover.

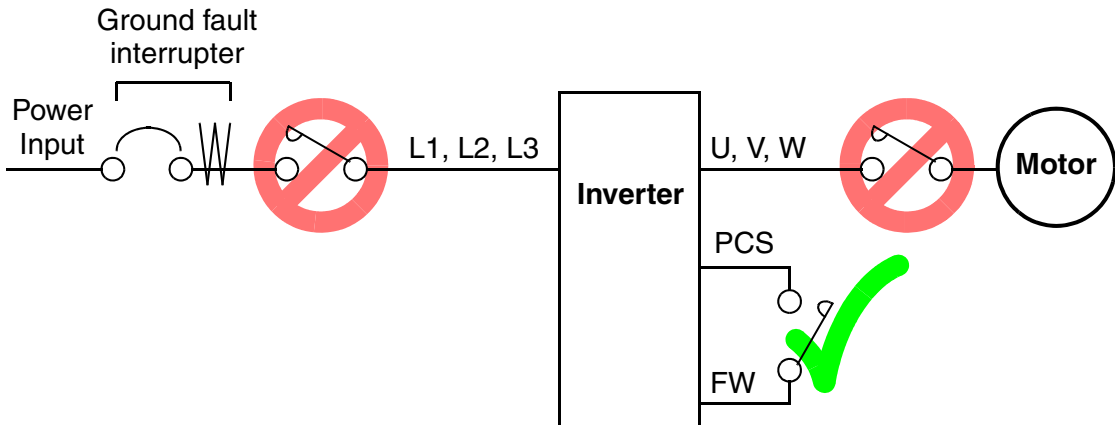


CAUTION: Do not discard the inverter with household waste. Contact an industrial waste management company in your area who can treat industrial waste without polluting the environment.





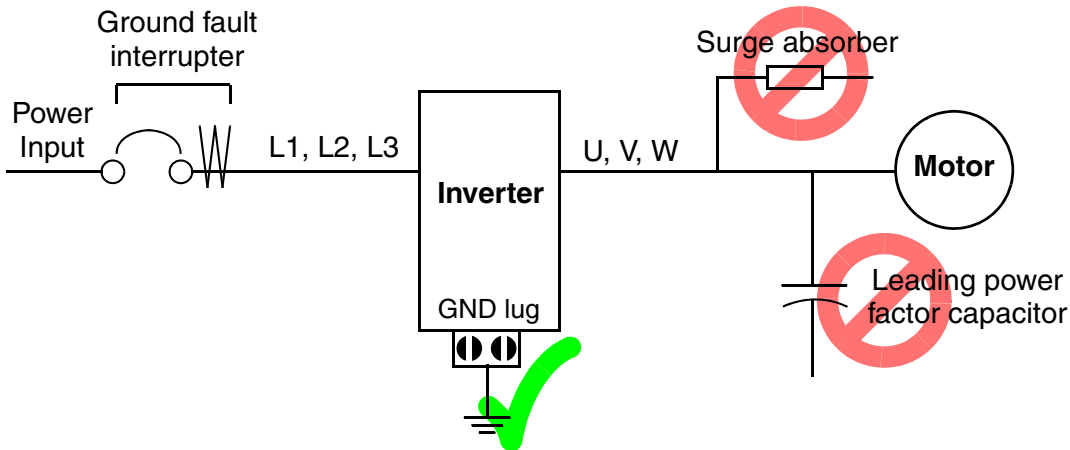
CAUTION: Do not stop operation by switching OFF electromagnetic contactors on the primary or secondary sides of the inverter.



When there has been a sudden power failure while an operation instruction is active, then the unit may restart operation automatically after the power failure has ended. If there is a possibility that such an occurrence may harm humans, then install an electromagnetic contactor (Mgo) on the power supply side, so that the circuit does not allow automatic restarting after the power supply recovers. If the optional remote operator is used and the retry function has been selected, this will also cause automatic restarting when a Run command is active. So, please be careful.



CAUTION: Do not insert leading power factor capacitors or surge absorbers between the output terminals of the inverter and motor.



CAUTION: MOTOR TERMINAL SURGE VOLTAGE SUPPRESSION FILTER (For the 400 V CLASS)

In a system using an inverter with the voltage control PWM system, a voltage surge caused by the cable constants such as the cable length (especially when the distance between the motor and inverter is 10 m or more) and cabling method may occur at the motor terminals. A dedicated filter of the 400 V class for suppressing this voltage surge is available. Be sure to install a filter in this situation.



CAUTION: EFFECTS OF POWER DISTRIBUTION SYSTEM ON INVERTER

In the cases below involving a general-purpose inverter, a large peak current can flow on the power supply side, sometimes destroying the converter module:

1. The unbalance factor of the power supply is 3% or higher.
2. The power supply capacity is at least 10 times greater than the inverter capacity (or the power supply capacity is 500 kVA or more).
3. Abrupt power supply changes are expected, due to conditions such as:
 - a. Several inverters are interconnected with a short bus.
 - b. A thyristor converter and an inverter are interconnected with a short bus.
 - c. An installed phase advance capacitor opens and closes.

Where these conditions exist or when the connected equipment must be highly reliable, you **MUST** install an input-side AC reactor of 3% (at a voltage drop at rated current) with respect to the supply voltage on the power supply side. Also, where the effects of an indirect lightning strike are possible, install a lightning conductor.



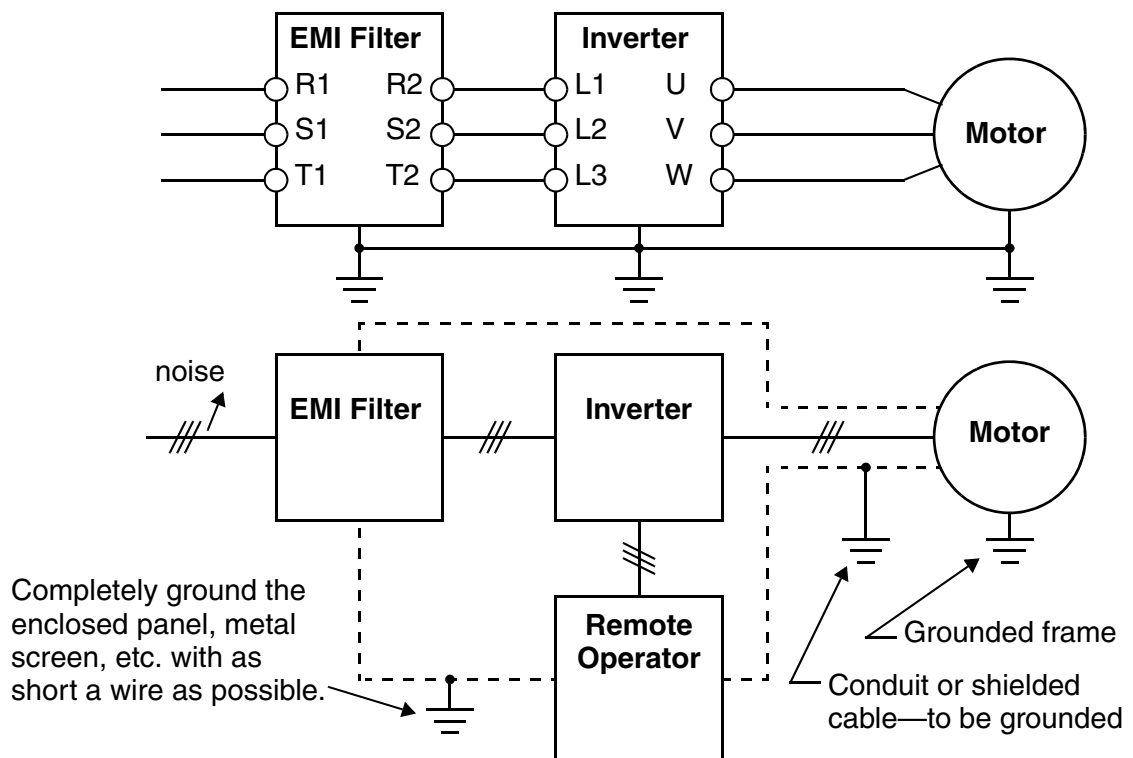
CAUTION: SUPPRESSION FOR NOISE INTERFERENCE FROM INVERTER

The inverter uses many semiconductor switching elements such as transistors and IGBTs. Thus, a radio receiver or measuring instrument located near the inverter is susceptible to noise interference.

To protect the instruments from erroneous operation due to noise interference, they should be used well away from the inverter. It is also effective to shield the whole inverter structure.

The addition of an EMI filter on the input side of the inverter also reduces the effect of noise from the commercial power line on external devices.

Note that the external dispersion of noise from the power line can be minimized by connecting an EMI filter on the primary side of inverter.





CAUTION: When the EEPROM error E08 occurs, be sure to confirm the setting values again.



CAUTION: When using *normally closed* active state settings (C011 to C016) for externally commanded Forward or Reverse terminals [FW] or [RV], the inverter may start automatically *when the external system is powered OFF or disconnected from the inverter!* So, do not use normally closed active state settings for Forward or Reverse terminals [FW] or [RV] unless your system design protects against unintended motor operation.



CAUTION: In all the illustrations in this manual, covers and safety devices are occasionally removed to describe the details. While operating the product, make sure that the covers and safety devices are placed as they were specified originally and operate it according to the instruction manual.

UL[®] Cautions, Warnings, and Instructions

Wiring Warnings for Electrical Practices and Wire Sizes

The Warnings and instructions in this section summarize the procedures necessary to ensure an inverter installation complies with Underwriters Laboratories[®] guidelines.



WARNING: “Use 60/75°C Cu wire only” or equivalent.



WARNING: “Open Type Equipment.”



WARNING: “Suitable for use on a circuit capable of delivering not more than 100,000 rms symmetrical amperes, 240 V maximum.” For models with suffix N or L.



WARNING: “Suitable for use on a circuit capable of delivering not more than 100,000 rms symmetrical amperes, 480 V maximum.” For models with suffix H.



WARNING: “Hot surface—risk of burn.”



WARNING: “Install device in pollution degree 2 environment.”



WARNING: “Maximum Surrounding Air Temperature 50°C” or equivalent.



WARNING: “Risk of electric shock—capacitor discharge time is at least 5 minutes.”



WARNING: “Solid state motor overload protection is provided in each model.”



WARNING: “Tightening torque and wire range for field wiring terminals are marked adjacent to the terminal or on the wiring diagram.”

Terminal Tightening Torque and Wire Size

The wire size range and tightening torque for field wiring terminals are presented in the tables below.

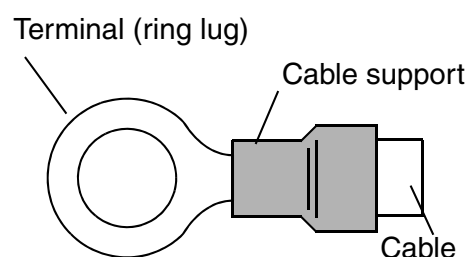
Input Voltage	Motor Output		Inverter Model	Power Terminal Wiring Size Range (AWG)	Torque		
	kW	HP			ft-lbs	(N-m)	
200V	0.2	1/4	SJ200-002NFE(F)2/NFU2	16	0.6	0.8	
	0.4	1/2	SJ200-004NFE(F)2/NFU2				
	0.55	3/4	SJ200-005NFE(F)2				
	0.75	1	SJ200-007NFE(F)2/NFU2	14	0.9	1.2	
	1.1	1 1/2	SJ200-011NFE(F)2				
	1.5	2	SJ200-015NFE(F)2/NFU2				
	2.2	3	SJ200-022NFE(F)2/NFU2				
		3.7	5	SJ200-037LFU2	10	1.5	2.0
		5.5	7 1/2	SJ200-055LFU2	10		
		7.5	10	SJ200-075LFU2	8		
400V	0.4	1/2	SJ200-004HFE(F)2/HFU2	16	0.9	1.2	
	0.75	1	SJ200-007HFE(F)2/HFU2				
	1.5	2	SJ200-015HFE(F)2/HFU2				
	2.2	3	SJ200-022HFE(F)2/HFU2				
		3.0	4	SJ200-030HFE(F)2	14	1.5	2.0
		4.0	5	SJ200-040HFE(F)2/HFU2			
		5.5	7 1/2	SJ200-055HFE(F)2/HFU2	12	1.5	2.0
		7.5	10	SJ200-075HFE(F)2/HFU2			

Terminal Connector	Wiring Size Range (AWG)	Torque	
		ft-lbs	(N-m)
Logic and Analog connectors	30—16	0.16—0.19	0.22—0.25
Relay connector	30—14	0.37—0.44	0.5—0.6

Wire Connectors



WARNING: Field wiring connections must be made by a UL Listed and CSA Certified ring lug terminal connector sized for the wire gauge being used. The connector must be fixed using the crimping tool specified by the connector manufacturer.



Fuse and Circuit Breaker Sizes

The inverter's input power wiring must include UL Listed, dual-element, 600V fuses, or UL Listed, inverse-time, 600V circuit breakers.

Input Voltage	Motor Output		Inverter Model	Ampere Rating for Fuse or Breaker
	kW	HP		
200V	0.2	1/4	SJ200-002NFE(F)2/NFU2	10
	0.4	1/2	SJ200-004NFE(F)2/NFU2	10
	0.55	3/4	SJ200-005NFE(F)2	10
	0.75	1	SJ200-007NFE(F)2/NFU2	15
	1.1	1 1/2	SJ200-011NFE(F)2	15
	1.5	2	SJ200-015NFE(F)2/NFU2	20 (single ph.) 15 (three ph.)
	2.2	3	SJ200-022NFE(F)2/NFU2	30 (single ph.) 20 (three ph.)
	3.7	5	SJ200-037LFU2	30
	5.5	7 1/2	SJ200-055LFU2	40
400V	7.5	10	SJ200-075LFU2	50
	0.4	1/2	SJ200-004HFE(F)2/HFU2	3
	0.75	1	SJ200-007HFE(F)2/HFU2	6
	1.5	2	SJ200-015HFE(F)2/HFU2	10
	2.2	3	SJ200-022HFE(F)2/HFU2	10
	3.0	4	SJ200-030HFE(F)2	15
	4.0	5	SJ200-040HFE(F)2/HFU2	15
	5.5	7 1/2	SJ200-055HFE(F)2/HFU2	20
7.5	10	SJ200-075HFE(F)2/HFU2	25	

Motor Overload Protection

Hitachi SJ200₂ inverters provide solid state motor overload protection, which depends on the proper setting of the following parameters:

- B012 “electronic overload protection”
- B212 “electronic overload protection, 2nd motor”

Set the rated current [Amperes] of the motor(s) with the above parameters. The setting range is 0.2 * rated current to 1.2 * rated current.



WARNING: When two or more motors are connected to the inverter, they cannot be protected by the electronic overload protection. Install an external thermal relay on each motor.

Table of Contents

Safety Messages

Hazardous High Voltage	i
General Precautions - Read These First!	ii
Index to Warnings and Cautions in This Manual	iv
General Warnings and Cautions	ix
UL® Cautions, Warnings, and Instructions	xii

Table of Contents

Revisions	xvii
Contact Information	xviii

Chapter 1: Getting Started

Introduction	1-2
Inverter Specifications	1-5
Introduction to Variable-Frequency Drives	1-18
Frequently Asked Questions	1-23

Chapter 2: Inverter Mounting and Installation

Orientation to Inverter Features	2-2
Basic System Description	2-8
Step-by-Step Basic Installation	2-9
Powerup Test	2-23
Using the Front Panel Keypad	2-25

Chapter 3: Configuring Drive Parameters

Choosing a Programming Device	3-2
Using Keypad Devices	3-3
“D” Group: Monitoring Functions	3-6
“F” Group: Main Profile Parameters	3-8
“A” Group: Standard Functions	3-9
“B” Group: Fine Tuning Functions	3-32
“C” Group: Intelligent Terminal Functions	3-45
“H” Group: Motor Constants Functions	3-61
“P” Group: Expansion Card Functions	3-62

Chapter 4: Operations and Monitoring

Introduction	4-2
Connecting to PLCs and Other Devices	4-4
Control Logic Signal Specifications	4-6
Intelligent Terminal Listing	4-7
Using Intelligent Input Terminals	4-9
Using Intelligent Output Terminals	4-36
Analog Input Operation	4-54
Analog Output Operation	4-56
PID Loop Operation	4-57
Configuring the Inverter for Multiple Motors	4-59

Chapter 5: Inverter System Accessories

Introduction	5-2
Component Descriptions	5-3
Dynamic Braking	5-5

Chapter 6: Troubleshooting and Maintenance

Troubleshooting	6-2
Monitoring Trip Events, History, & Conditions	6-5
Restoring Factory Default Settings	6-8
Maintenance and Inspection	6-9
Warranty	6-16

Appendix A: Glossary and Bibliography

Glossary	A-2
Bibliography	A-8

Appendix B: ModBus Network Communications

Introduction	B-2
Connecting the Inverter to ModBus	B-3
Network Protocol Reference	B-6
ModBus Data Listing	B-19

Appendix C: Drive Parameter Settings Tables

Introduction	C-2
Parameter Settings for Keypad Entry	C-2

Appendix D: CE–EMC Installation Guidelines

CE–EMC Installation Guidelines	D-2
Hitachi EMC Recommendations	D-6

Index

Getting Started



In This Chapter...	page
— Introduction	2
— Inverter Specifications	5
— Introduction to Variable-Frequency Drives	18
— Frequently Asked Questions	23

Introduction

Main Features

Congratulations on your purchase of an SJ200 Series Hitachi inverter! This inverter drive features state-of-the-art circuitry and components to provide high performance. The housing footprint is exceptionally small, given the size of the corresponding motor. The Hitachi SJ200 product line includes more than a dozen inverter models to cover motor sizes from 1/4 horsepower to 10 horsepower, in either 240 VAC or 480 VAC power input versions. The main features are:

- 200V and 400V Class inverters
- US or EU versions available (country-specific input voltage range and default values)
- New intelligent sensorless vector control (iSLV)—auto-tuning no longer necessary
- Dynamic braking with external resistor
- Convenient, removable keypad for parameter settings, can be mounted on panel door
- Built-in RS-485 MODBUS RTU as standard
- New current limit function
- Sixteen programmable speed levels
- PID control adjusts motor speed automatically to maintain a process variable value

The design in Hitachi inverters overcomes many of the traditional trade-offs between speed, torque and efficiency. The performance characteristics are:

- High starting torque of 200% at 1Hz
- Continuous operation at 100% torque within a 1:10 speed range (6/60 Hz / 5/50 Hz) without motor derating
- Fan has ON/OFF selection to provide longer life for cooling fan (on models with fan)

A full line of accessories from Hitachi is available to complete your motor application:

- Digital remote operator keypad
- Panel-mount keypad bezel kit and DIN rail mounting adapter (35mm rail size)
- Dynamic braking unit with resistors
- Radio noise filters
- CE compliance filters



SJ200-004LFU2

SJ200-037LFU2

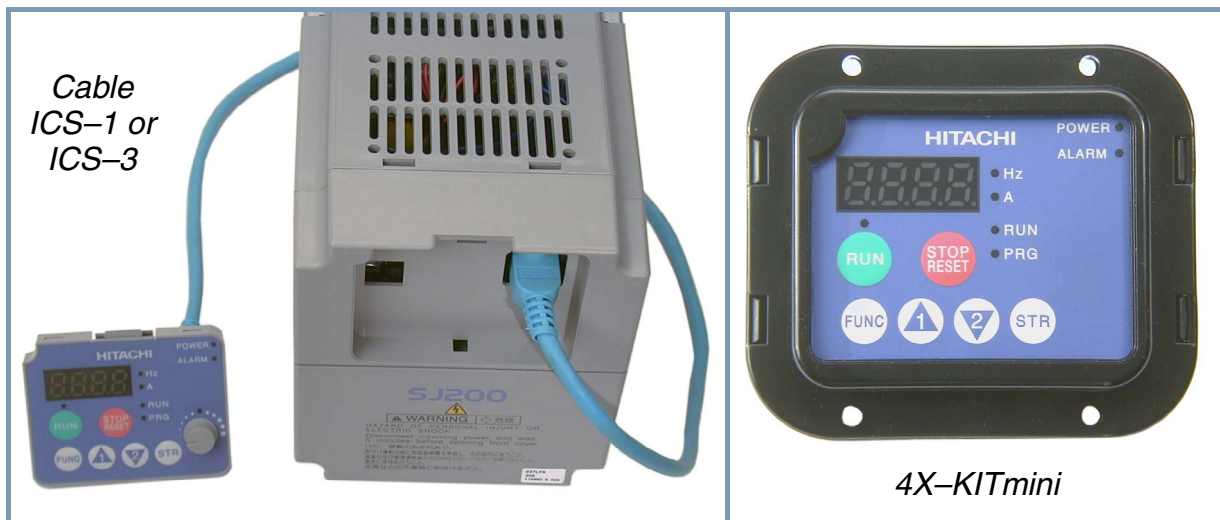
Operator Interface Options

The SJ2002 inverter has a removable keypad, as shown to the right (part no. OPE-SRmini). This allows the keypad to operate the inverter remotely, as shown (below, left). A cable (part no. ICS-1 or ICS-3, 1m or 3m) connects the modular connectors of the keypad and inverter.

Hitachi provides a panel mount keypad kit (below, right). It includes the mounting flange, gasket, keypad, and other hardware. You can mount the keypad with the potentiometer for a NEMA1 rated installation. The kit also provides for removing the potentiometer knob to meet NEMA 4X requirements, as shown (part no. 4X-KITmini).



OPE-SRmini



4X-KITmini

Digital Operator Copy Unit - The optional digital operator / copy unit (part no. SRW-0EX) is shown to the right. It has a 2-line display that shows parameters by function code and by name. It has the additional capability of reading (uploading) the parameter settings in the inverter into its memory. Then you can connect the copy unit on another inverter and write (download) the parameter settings into that inverter. OEMs will find this unit particularly useful, as one can use a single copy unit to transfer parameter settings from one inverter to many.

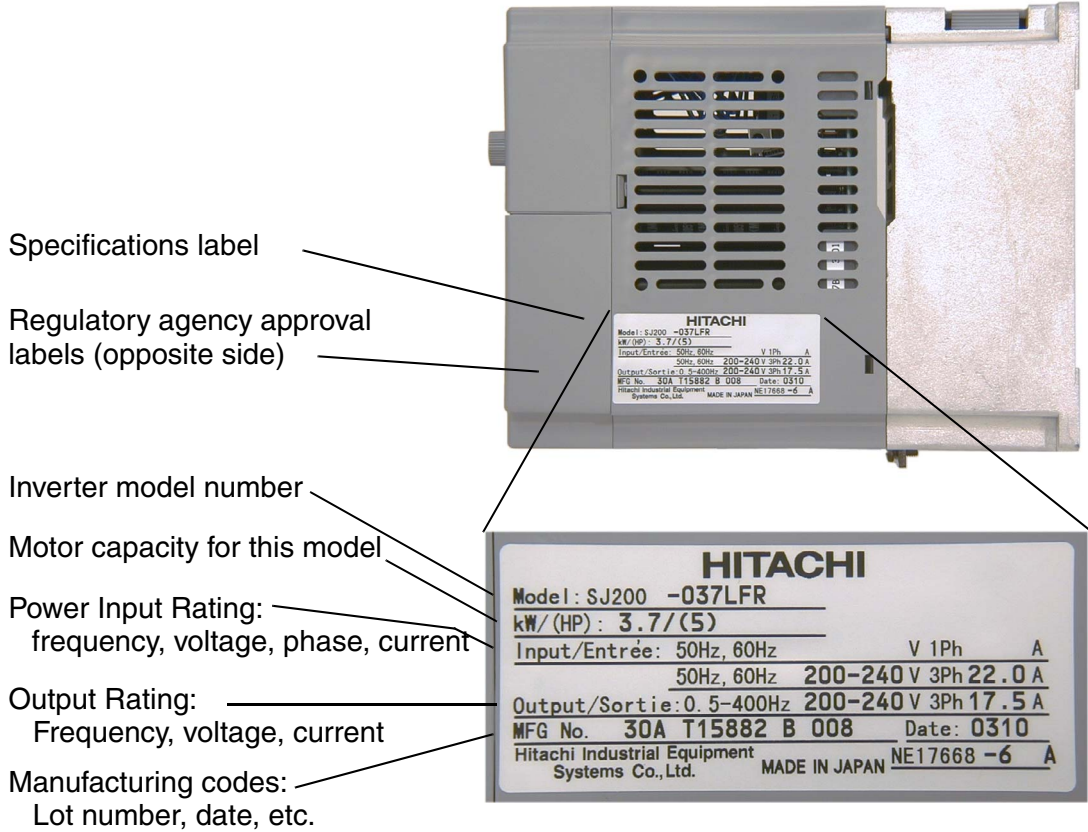
Other digital operator interfaces may be available from your Hitachi distributor for particular industries or international markets. Contact your Hitachi distributor for further details.



SRW-0EX

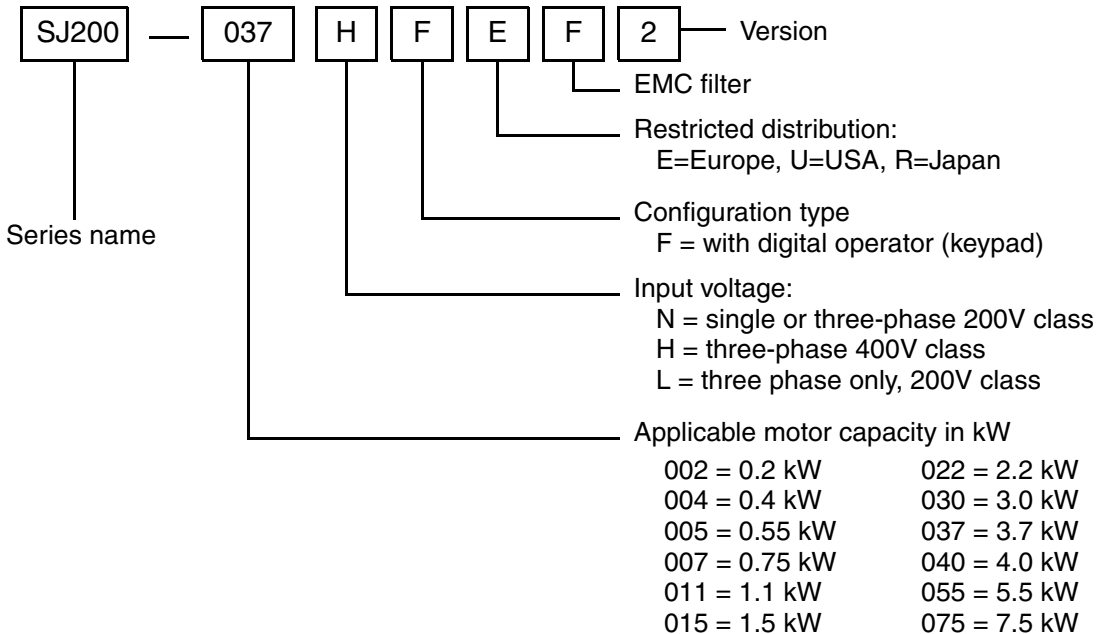
Inverter Specifications Label

The Hitachi SJ2002 inverters have product labels located on the right side of the housing, as pictured below. Be sure to verify that the specifications on the labels match your power source, motor, and application safety requirements.



Model Number Convention

The model number for a specific inverter contains useful information about its operating characteristics. Refer to the model number legend below:



Inverter Specifications

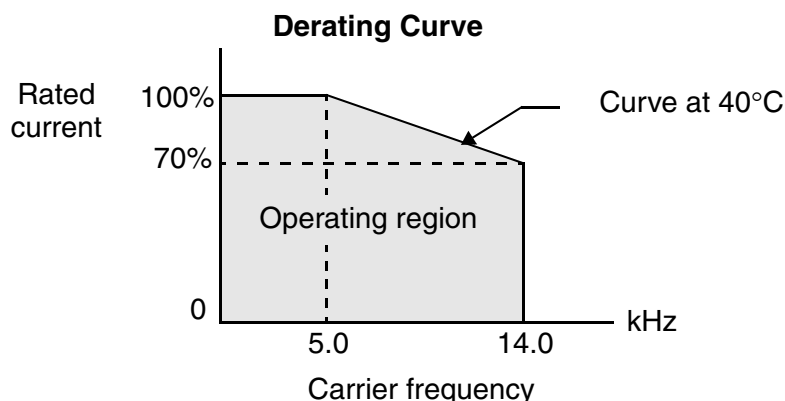
Model-specific tables for 200V and 400V class inverters

The following tables are specific to SJ2002 inverters for the 200V and 400V class model groups. Note that “General Specifications” on page 1–10 apply to both voltage class groups. Footnotes for all specifications tables follow the table below.

Item		200V Class Specifications					
SJ2002 inverters, 200V models	EU types	002NFEF2 002NFE2	004NFEF2 004NFE2	005NFEF2 005NFE2	007NFEF2 007NFE2	011NFEF2 011NFE2	
	USA type	002NFU2	004NFU2	—	007NFU2	—	
Applicable motor size *2	kW	0.2	0.4	0.55	0.75	1.1	
	HP	1/4	1/2	3/4	1	1.5	
Rated capacity (kVA)	230V	0.6	1.0	1.1	1.5	1.9	
	240V	0.6	1.0	1.2	1.6	2.0	
Rated input voltage		1-phase: 200 to 240V $\pm 10\%$, 50/60 Hz $\pm 5\%$, 3-phase: 200 to 240V $\pm 10\%$, 50/60 Hz $\pm 5\%$, (037LFU2, 055LFU2, and 075LFU2 3-phase only)					
Integrated EMC filter	NFEF type	Single phase filter, Category C3 *5					
	NFE, NFU types	—					
Rated input current (A)	1-phase	3.5	5.8	6.7	9.0	11.2	
	3-phase	2.0	3.4	3.9	5.2	6.5	
Rated output voltage *3		3-phase: 200 to 240V (proportional to input voltage)					
Rated output current (A)		1.6	2.6	3.0	4.0	5.0	
Efficiency at 100% rated output (%)		89.5	93.5	94.2	94.1	95.0	
Watt loss, approximate (W)	at 70% output	16	20	21	30	40	
	at 100% output	21	26	29	41	55	
Starting torque *7		200% or more					
Dynamic braking approx. % torque, short time stop *8	without resistor, from 50 / 60 Hz	100%: $\leq 50\text{Hz}$ 50%: $\leq 60\text{Hz}$					
	with resistor	150%					
DC braking		Variable operating frequency, time, and braking force					
Weight	NFEF type	kg	0.8	0.95	0.95	1.4	1.4
		lb	1.75	2.09	2.09	3.09	3.09
	NFE type	kg	0.7	0.85	0.85	1.8	1.8
		lb	1.54	1.87	1.87	3.97	3.97
	NFU type	kg	0.7	0.85	—	1.8	—
		lb	1.54	1.87	—	3.97	—

Footnotes for the preceding table and the tables that follow:

- Note 1:** The protection method conforms to JEM 1030.
- Note 2:** The applicable motor refers to Hitachi standard 3-phase motor (4-pole). When using other motors, care must be taken to prevent the rated motor current (50/60 Hz) from exceeding the rated output current of the inverter.
- Note 3:** The output voltage decreases as the main supply voltage decreases (except when using the AVR function). In any case, the output voltage cannot exceed the input power supply voltage.
- Note 4:** To operate the motor beyond 50/60 Hz, consult the motor manufacturer for the maximum allowable rotation speed.
- Note 5:** When using the inverter with 3-phase power input, remove the single phase filter and install a 3-phase filter with the appropriate ratings.
- Note 6:** For achieving approved input voltage rating categories:
- 460 to 480 VAC – Over-voltage Category 2
 - 380 to 460 VAC – Over-voltage Category 3
- To meet the Over-voltage Category 3, insert an EN or IEC standard compliant isolation transformer that is earth grounded and star connected (for Low Voltage Directive).
- Note 7:** At the rated voltage when using a Hitachi standard 3-phase, 4-pole motor (when selecting intelligent sensorless vector control—iSLV).
- Note 8:** The braking torque via capacitive feedback is the average deceleration torque at the shortest deceleration (stopping from 50/60 Hz as indicated). It is not continuous regenerative braking torque. The average deceleration torque varies with motor loss. This value decreases when operating beyond 50 Hz. If a large regenerative torque is required, the optional regenerative braking resistor should be used.
- Note 9:** The frequency command is the maximum frequency at 9.8V for input voltage 0 to 10 VDC, or at 19.6 mA for input current 4 to 20 mA. If this characteristic is not satisfactory for your application, contact your Hitachi sales representative.
- Note 10:** If the inverter is operated outside the region shown in the graph below, the inverter may be damaged or its service life may be shortened. Set B083 Carrier Frequency Adjustment in accordance with the expected output current level.



- Note 11:** The storage temperature refers to the short-term temperature during transport.
- Note 12:** Conforms to the test method specified in JIS C0040 (1999). For the model types excluded in the standard specifications, contact your Hitachi sales representative.

SJ2002 Inverter Specifications, continued...

Item		200V Class Specifications, continued					
SJ2002 inverters, 200V models	EU types	015NFEF2 015NFE2	022NFEF2 022NFE2	—	—	—	
	USA type	015NFU2	022NFU2	037LFU2	055LFU2	075LFU2	
Applicable motor size *2	kW	1.5	2.2	3.7	5.5	7.5	
	HP	2	3	5	7.5	10	
Rated capacity (kVA)	230V	3.1	4.3	6.9	9.5	12.7	
	240V	3.3	4.5	7.2	9.9	13.3	
Rated input voltage		1-phase: 200 to 240V ±10%, 50/60 Hz ±5%, 3-phase: 200 to 240V ±10%, 50/60 Hz ±5%, (037LFU, 055LFU, 075LFU 3-phase only)					
Integrated EMC filter	NFEF type	Single phase filter, Category C3 *5		—			
	NFE, NFU types	—					
Rated input current (A)	1-phase	17.5	24.0	—	—	—	
	3-phase	10.0	14.0	22.0	30.0	40.0	
Rated output voltage *3		3-phase: 200 to 240V (proportional to input voltage)					
Rated output current (A)		8.0	11.0	17.5	24	32	
Efficiency at 100% rated output (%)		94.0	95.2	94.7	95.6	96.0	
Watt loss, approximate (W)	at 70% output	60	70	150	175	210	
	at 100% output	90	105	195	244	300	
Starting torque *7		200% or more		180% or more			
Dynamic braking approx. % torque, short time stop *8	without resistor, from 50 / 60 Hz	70%: ≤ 50Hz 50%: ≤ 60Hz	20%: ≤ 50Hz 20%: ≤ 60Hz				
	with resistor	150%	100%		80%		
DC braking		Variable operating frequency, time, and braking force					
Weight	NFEF type	kg	1.9	1.9	—	—	—
		lb	4.2	4.2	—	—	—
	NFE type	kg	1.8	1.8	—	—	—
		lb	3.97	3.97	—	—	—
	NFU type	kg	1.8	1.8	1.9	5.5	5.7
		lb	3.97	3.97	4.2	12.13	12.57

Item		400V Class Specifications				
SJ2002 inverters, 400V models	EU types	004HFEF2 004HFE2	007HFEF2 007HFE2	015HFEF2 015HFE2	022HFEF2 022HFE2	
	USA type	004HFU2	007HFU2	015HFU2	022HFU2	
Applicable motor size *2	kW	0.4	0.75	1.5	2.2	
	HP	1/2	1	2	3	
Rated capacity (460V) kVA		1.1	1.9	2.9	4.2	
Rated input voltage *6		3-phase: 380 to 480V ±10%, 50/60 Hz ±5%				
Integrated EMC filter	HFEF type	Three phase filter, Category C3 *5				
	HFE, HFU types	—				
Rated input current (A)		2.0	3.3	5.0	7.0	
Rated output voltage *3		3-phase: 380 to 480V (proportional to input voltage)				
Rated output current (A)		1.5	2.5	3.8	5.5	
Efficiency at 100% rated output (%)		93.5	94.0	95.3	95.7	
Watt loss, approximate (W)	at 70% output	20	30	45	65	
	at 100% output	26	42	70	95	
Starting torque *7		200% or more				
Dynamic braking approx. % torque, short time stop *8	without resistor, from 50/60 Hz	100%: ≤ 50Hz 50%: ≤ 60Hz			70%: ≤ 50Hz 20%: ≤ 60Hz	
	with resistor	150%			100%	
DC braking		Variable operating frequency, time, and braking force				
Weight	HFEF type	kg	1.4	1.8	1.9	1.9
		lb	3.09	3.97	4.19	4.19
	HFE type	kg	1.3	1.7	1.8	1.8
		lb	2.87	3.75	3.97	3.97
	HFU type	kg	1.3	1.7	1.8	1.8
		lb	2.87	3.75	3.97	3.97

Item		400V Class Specifications, continued				
SJ2002 inverters, 400V models	EU types	030HFEF2 030HFE2	040HFEF2 040HFE2	055HFEF2 055HFE2	075HFEF2 075HFE2	
	USA type	—	040HFU2	055HFU2	075HFU2	
Applicable motor size *2	kW	3.0	4.0	5.5	7.5	
	HP	4	5	7.5	10	
Rated capacity (460V) kVA		6.2	6.6	10.3	12.7	
Rated input voltage *6		3-phase: 380 to 480V $\pm 10\%$, 50/60 Hz $\pm 5\%$				
Integrated EMC filter	HFEF type	Three phase filter, Category C3		—		
	HFE, HFU types	—				
Rated input current (A)		10.0	11.0	16.5	20.0	
Efficiency at 100% rated output (%)		95.7	95.9	96.6	97.0	
Watt loss, approximate (W)	at 70% output	90	95	135	165	
	at 100% output	130	150	187	227	
Rated output voltage *3		3-phase: 380 to 480V (proportional to input voltage)				
Rated output current (A)		7.8	8.6	13	16	
Starting torque *7		180% or more				
Dynamic braking approx. % torque, short time stop *8	without resistor, from 50/60 Hz	20%: $\leq 50\text{Hz}$ 20%: $\leq 60\text{Hz}$				
	with resistor	100%		80%		
DC braking		Variable operating frequency, time, and braking force				
Weight	HFEF type	kg	1.9	1.9	5.5	5.7
		lb	4.19	4.19	12.13	12.57
	HFE type	kg	1.8	1.8	5.4	5.6
		lb	3.97	3.97	11.91	12.35
	HFU type	kg	—	1.8	5.4	5.6
		lb	—	3.97	11.91	12.35

General Specifications

The following table applies to all SJ2002 inverters.

Item		General Specifications	
Protective housing *1		IP20	
Control method		Sinusoidal Pulse Width Modulation (PWM) control	
Carrier frequency		2kHz to 14kHz (default setting: 5kHz)	
Output frequency range *4		0.5 to 400 Hz	
Frequency accuracy		Digital command: 0.01% of the maximum frequency Analog command: 0.1% of the maximum frequency (25°C ± 10°C)	
Frequency setting resolution		Digital: 0.1 Hz; Analog: max. frequency/1000	
Volt./Freq. characteristic		V/f optionally variable, V/f control (constant torque, reduced torque), intelligent sensorless vector control (iSLV)	
Overload capacity		150% of rated current for 1 minute	
Acceleration/deceleration time		0.01 to 3000 seconds, linear and S-curve accel/decel, second accel/decel setting available	
Input signal	Freq. setting	Operator panel	Up and Down keys / Value settings
		Potentiometer	Analog setting
		External signal *9	0 to 10 VDC (input impedance 10k Ohms), 4 to 20 mA (input impedance 250 Ohms), Potentiometer (1k to 2k Ohms, 2W)
	FWD/REV Run	Operator panel	Run/Stop (Forward/Reverse run change by command)
		External signal	Forward run/stop, Reverse run/stop
	Intelligent input terminal	FW (forward run command), RV (reverse run command), CF1~CF4 (multi-stage speed setting), JG (jog command), DB (external braking), SET (set second motor), 2CH (2-stage accel./decel. command), FRS (free run stop command), EXT (external trip), USP (startup function), SFT (soft lock), AT (analog current input select signal), RS (reset), TH (thermistor thermal protection), STA (start), STP (stop), F/R (forward/reverse), PID (PID disable), PIDC (PID reset), UP (remote control up function), DWN (remote control down function), UDC (remote control data clearing), OPE (operator control), ADD (ADD frequency enable), F-TM (force terminal mode), RDY (quick start enable)	
Output signal	Intelligent output terminal	RUN (run status signal), FA1,2 (frequency arrival signal), OL (overload advance notice signal), OD (PID error deviation signal), AL (alarm signal), Dc (analog input disconnect detect), FBV (PID two-stage control output), NDc (network detection signal), LOG (logic output), OPDc (option card detection signal)	
	Frequency monitor	PWM output; Select analog output frequency monitor, analog output current monitor or digital output frequency monitor	
Alarm output contact		ON for inverter alarm (1C contacts, both normally open or closed avail.)	

Item		General Specifications
Other functions		AVR function, curved accel/decel profile, upper and lower limiters, 16-stage speed profile, fine adjustment of start frequency, carrier frequency change (2 to 14 kHz), frequency jump, gain and bias setting, process jogging, electronic thermal level adjustment, retry function, trip history monitor, 2nd setting selection, fan ON/OFF selection
Protective function		Over-current, over-voltage, under-voltage, overload, extreme high/low temperature, CPU error, memory error, ground fault detection at startup, internal communication error, electronic thermal
Operating Environment	Temperature	Operating (ambient): -10 to 40°C (*10) / Storage: -25 to 60°C (*11)
	Humidity	20 to 90% humidity (non-condensing)
	Vibration *12	5.9 m/s ² (0.6G), 10 to 55 Hz
	Location	Altitude 1,000 m or less, indoors (no corrosive gasses or dust)
Coating color		Munsell 8.5YR6.2/0/2
Options		Remote operator unit, copy unit, cables for the units, braking unit, braking resistor, AC reactor, DC reactor, noise filter, DIN rail mounting

Signal Ratings

Detailed ratings are in “Control Logic Signal Specifications” on page 4–6.

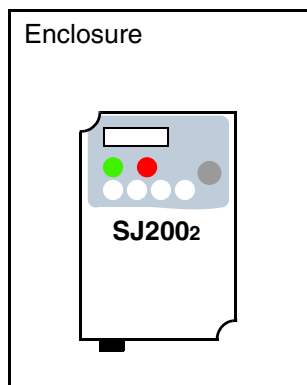
Signal / Contact	Ratings
Built-in power for inputs	24VDC, 30 mA maximum
Discrete logic inputs	27VDC maximum
Discrete logic outputs	50mA maximum ON state current, 27 VDC maximum OFF state voltage
Analog output	0 to 10VDC, 1 mA
Analog input, current	4 to 19.6 mA range, 20 mA nominal
Analog input, voltage	0 to 9.6 VDC range, 10VDC nominal, input impedance 10 kΩ
+10V analog reference	10VDC nominal, 10 mA maximum
Alarm relay contacts	250 VAC, 2.5A (R load) max., 0.2A (I load, P.F.=0.4) max. 100 VAC, 10mA min. 30 VDC, 3.0A (R load) max., 0.7A (I load, P.F.=0.4) max. 5 VDC, 100mA min.

Derating Curves

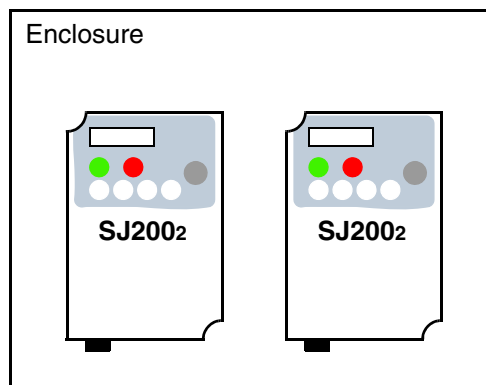
The maximum available inverter current output is limited by the carrier frequency and ambient temperature. The carrier frequency is the inverter's internal power switching frequency, settable from 2 kHz to 14 kHz. Choosing a higher carrier frequency tends to decrease audible noise, but it also increases the internal heating of the inverter, thus decreasing (derating) the maximum current output capability. Ambient temperature is the temperature just outside the inverter housing—such as inside the control cabinet where the inverter is mounted. A higher ambient temperature decreases (derates) the inverter's maximum current output capacity.

An inverter may be mounted individually in an enclosure or side-by-side with other inverter(s) as shown below. Side-by-side mounting causes greater derating than mounting inverters separately. Graphs for either mounting method are included in this section. Refer to “Ensure Adequate Ventilation” on page 2-11 for minimum clearance dimensions for both mounting configurations.

Individual Mounting



Side-by-side Mounting



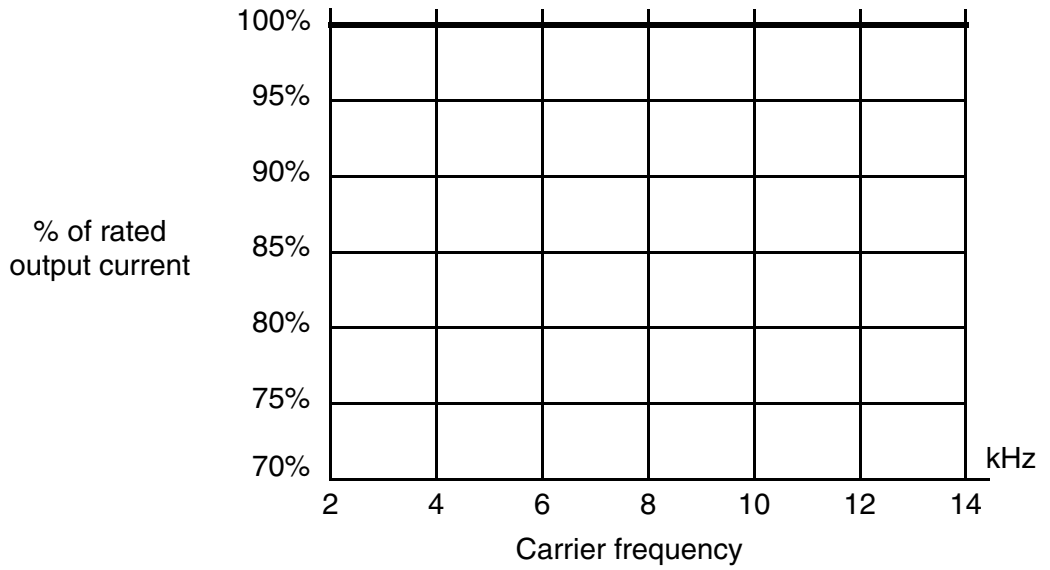
Use the following derating curves to help determine the optimal carrier frequency setting for your inverter and find the output current derating. Be sure to use the proper curve for your particular SJ2002 inverter model number.

Legend for Graphs:

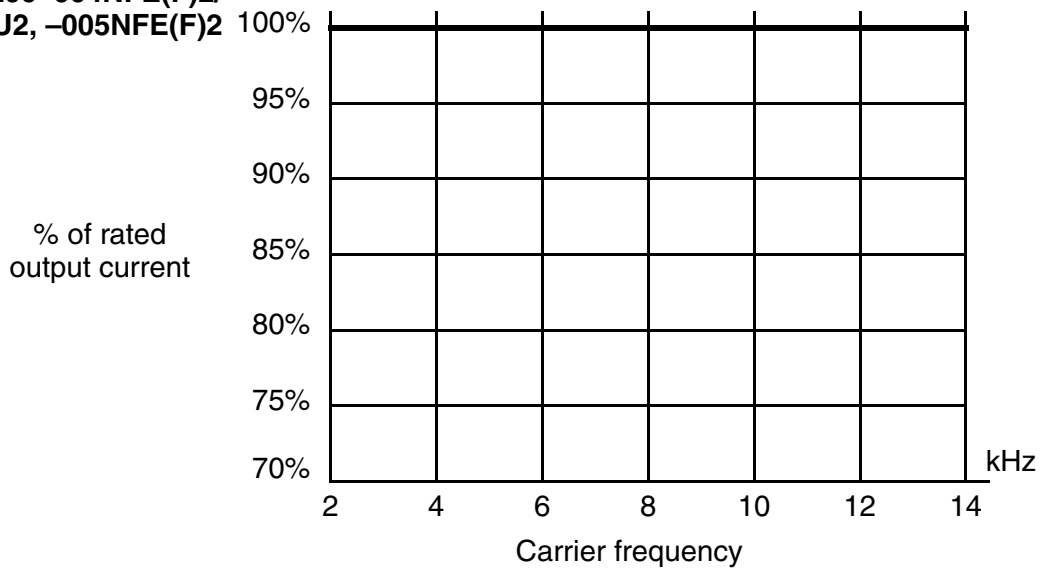
- Ambient temperature 40°C max., individual mounting
- Ambient temperature 50°C max., individual mounting
- - - - - Ambient temperature 40°C max., side-by-side mounting

Derating curves:

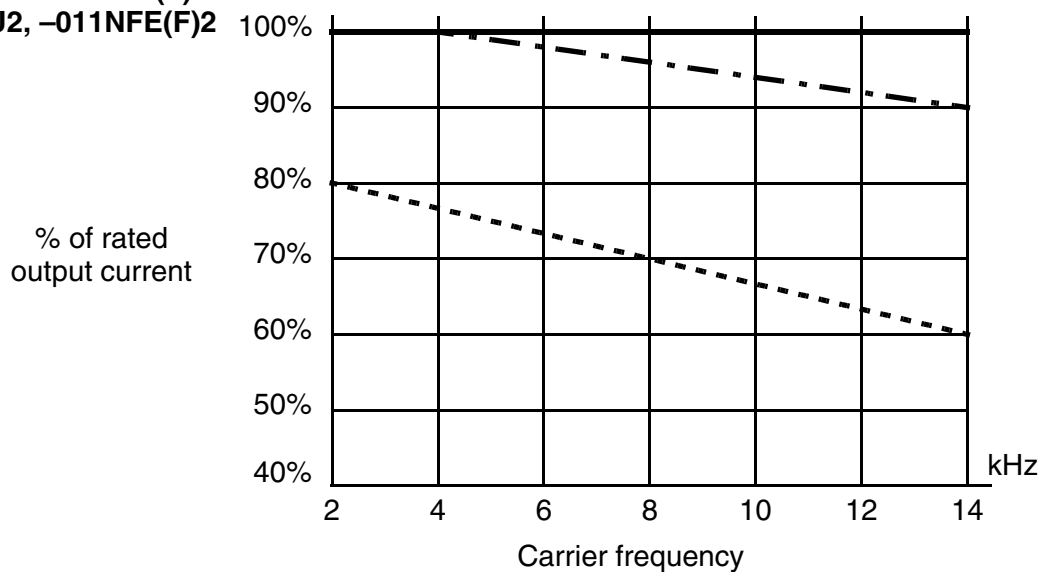
SJ200-002NFE(F)2/NFU2



SJ200-004NFE(F)2/NFU2, -005NFE(F)2

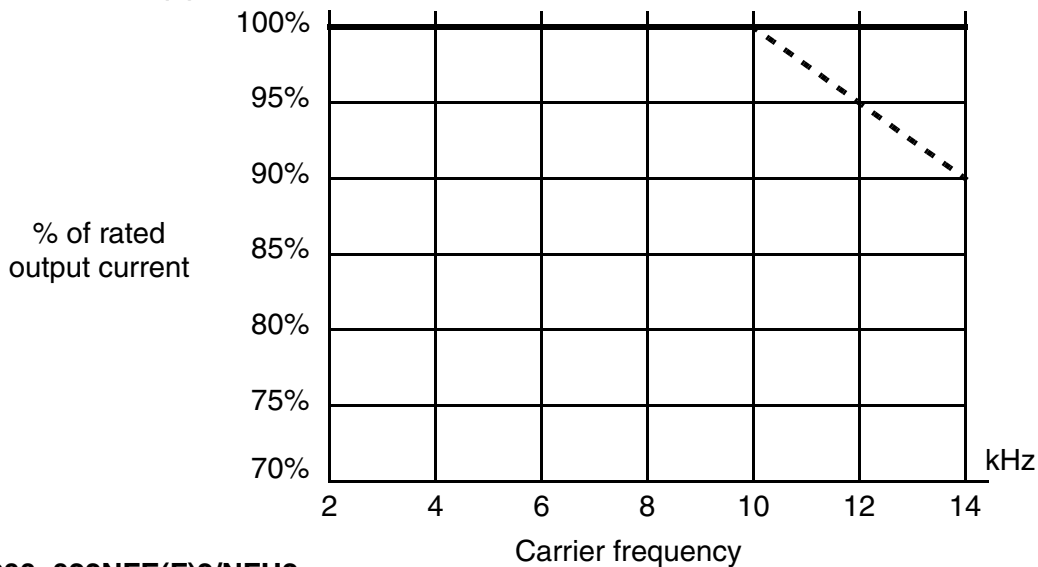


SJ200-007NFE(F)2/NFU2, -011NFE(F)2

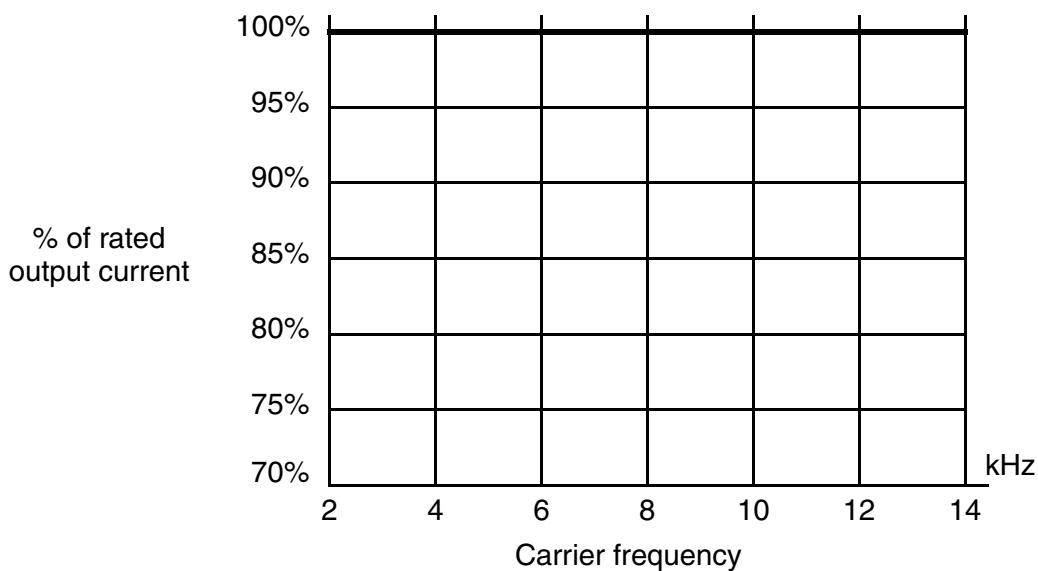


Derating curves, continued...

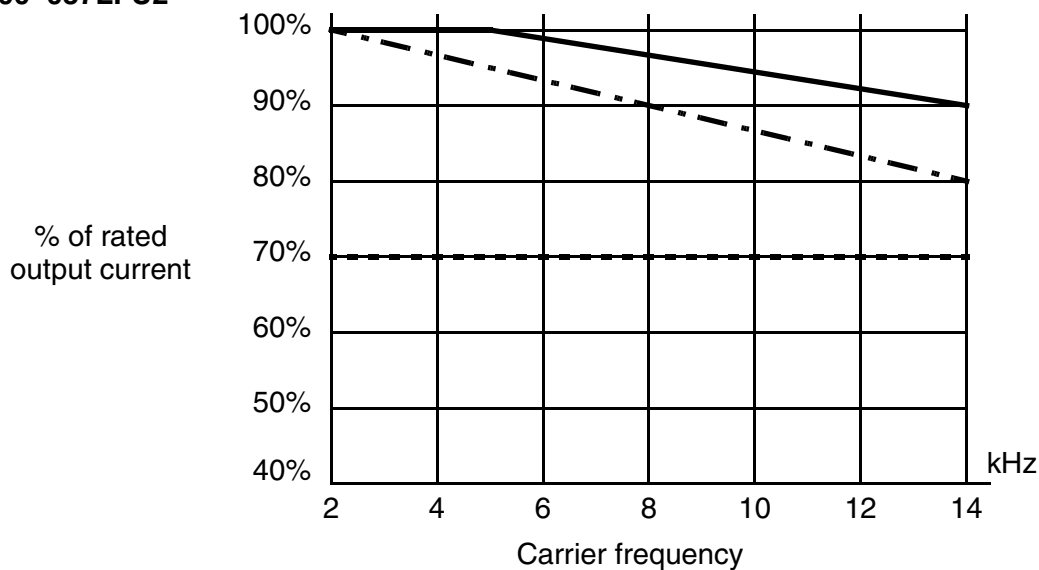
SJ200-015NFE(F)2/NFU2



SJ200-022NFE(F)2/NFU2



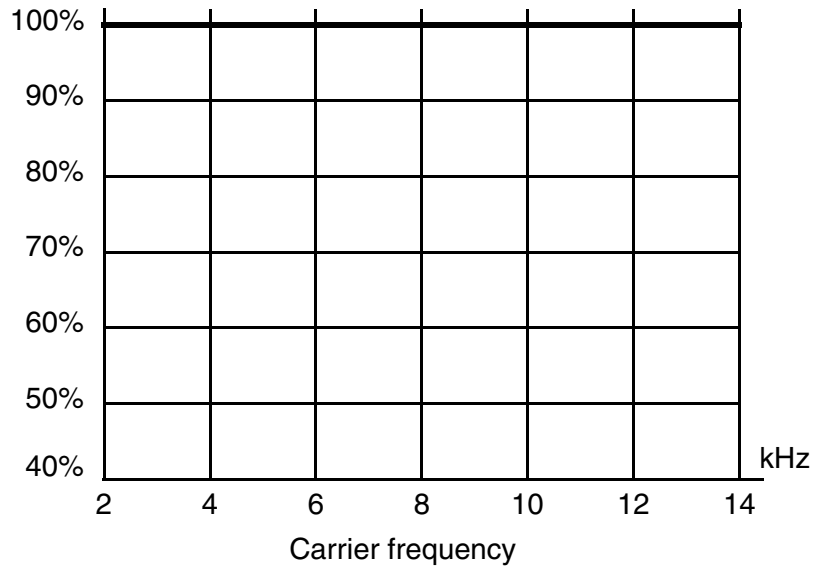
SJ200-037LFU2



Derating curves, continued...

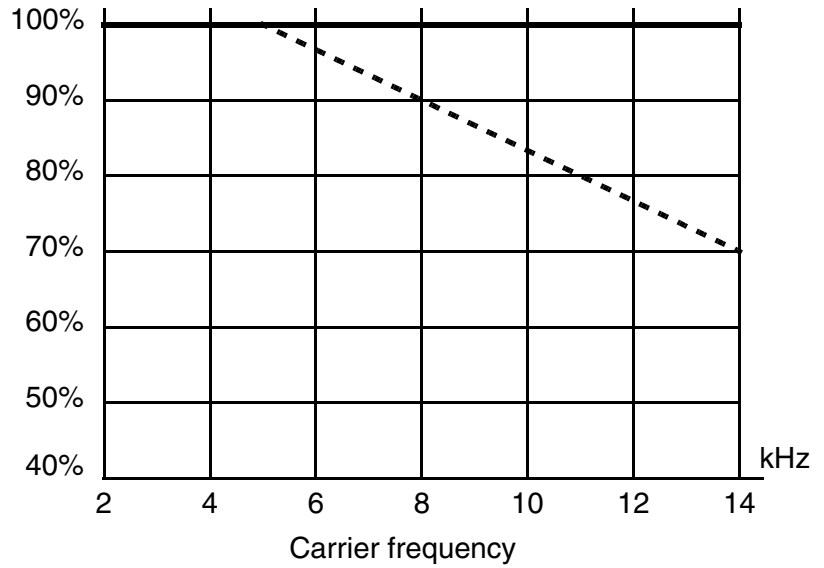
SJ200-055LFU2

% of rated output current



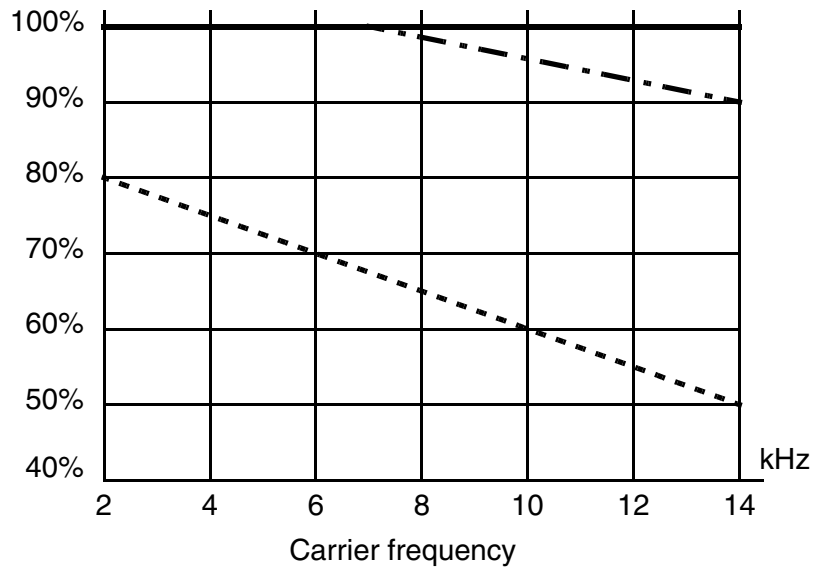
SJ200-075LFU2

% of rated output current



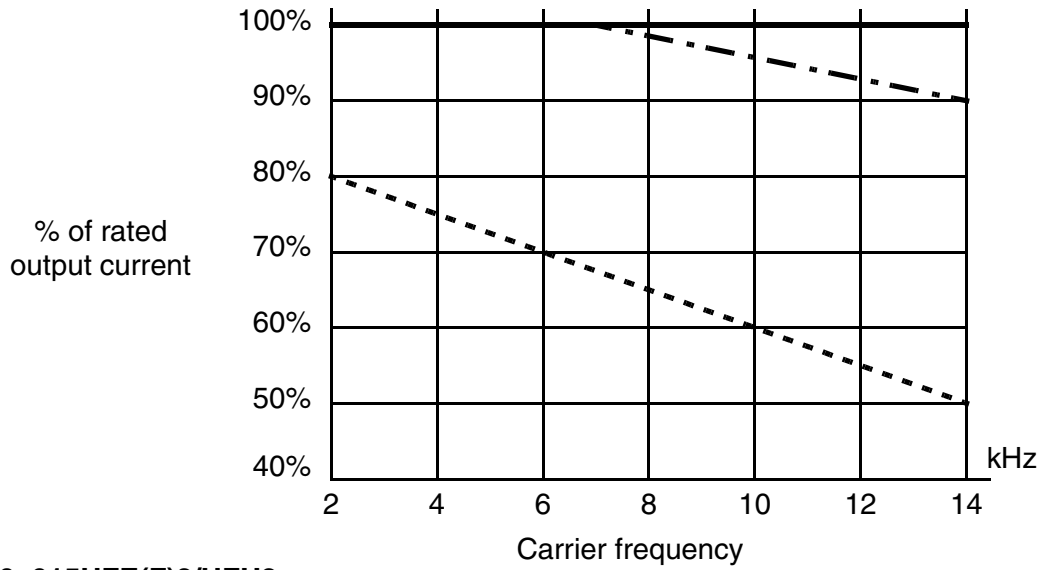
SJ200-004HFE(F)2/HFU2

% of rated output current

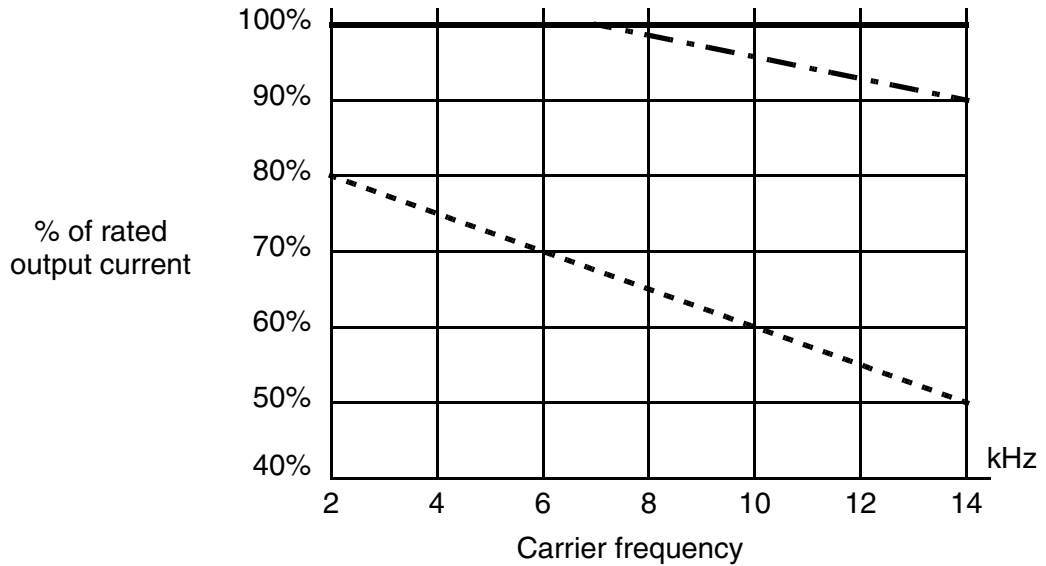


Derating curves, continued...

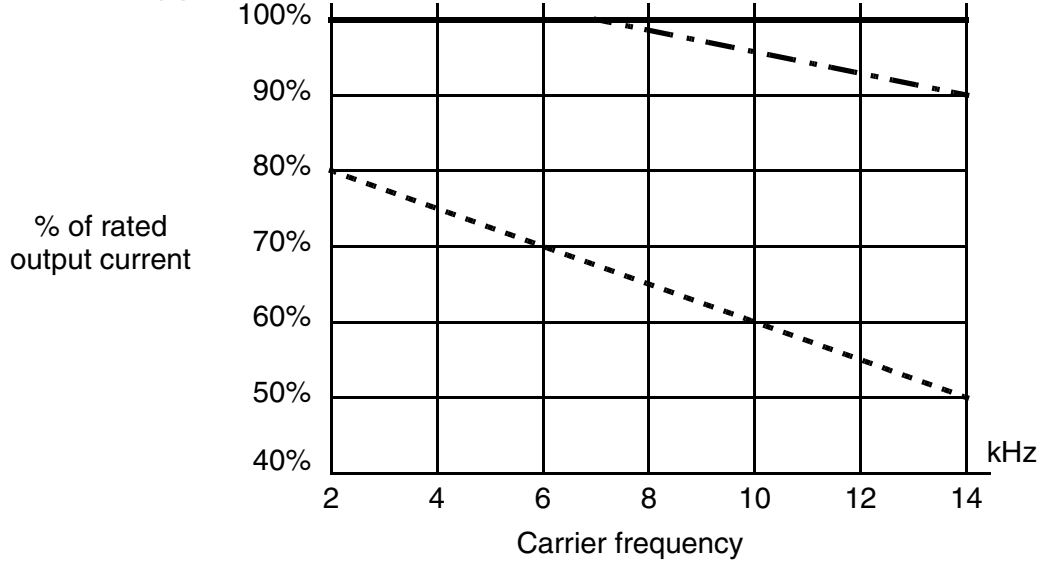
SJ200-007HFE(F)2/HFU2



SJ200-015HFE(F)2/HFU2

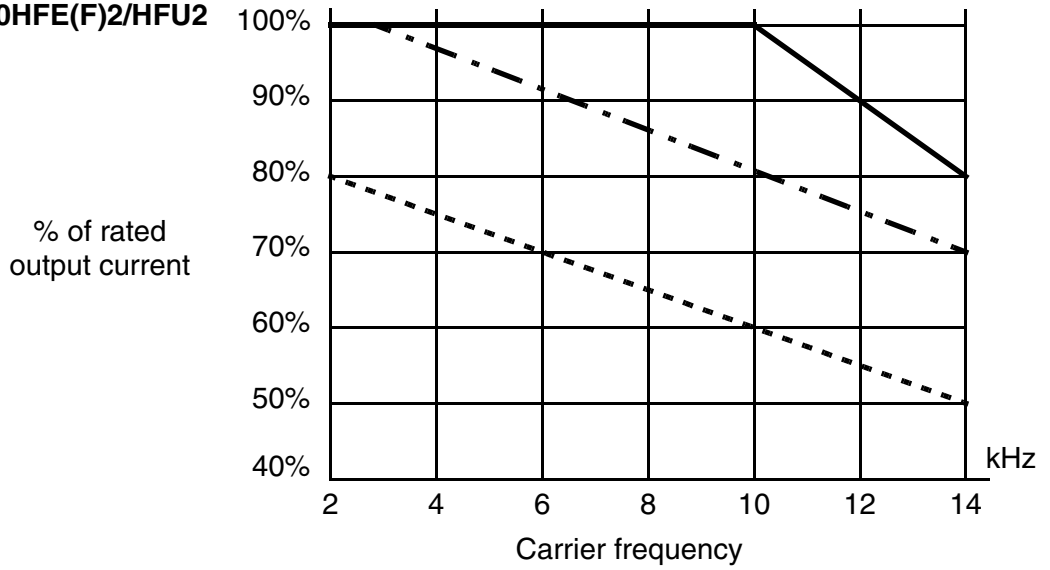


SJ200-022HFE(F)2/HFU2

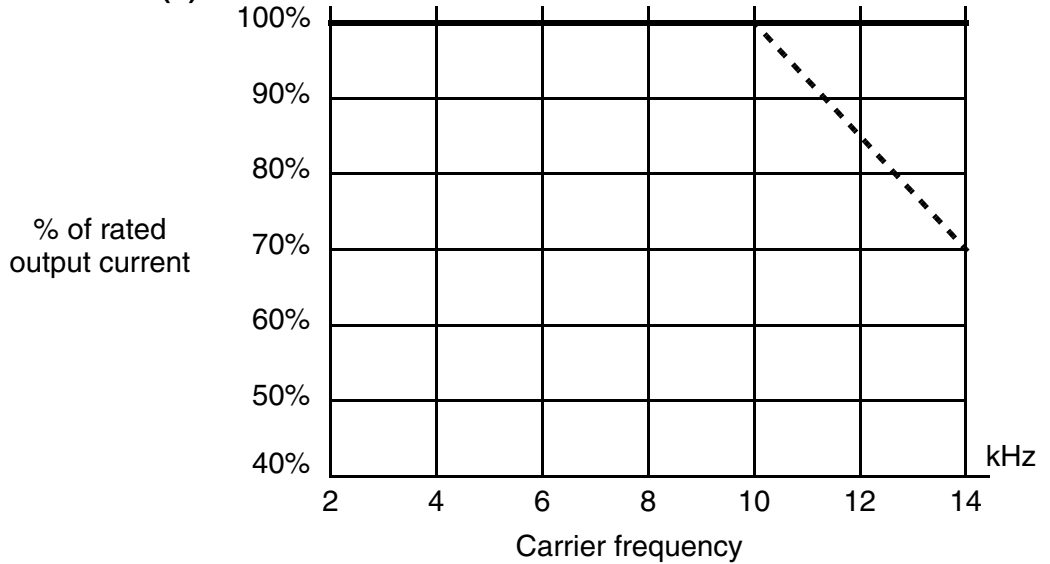


Derating curves, continued...

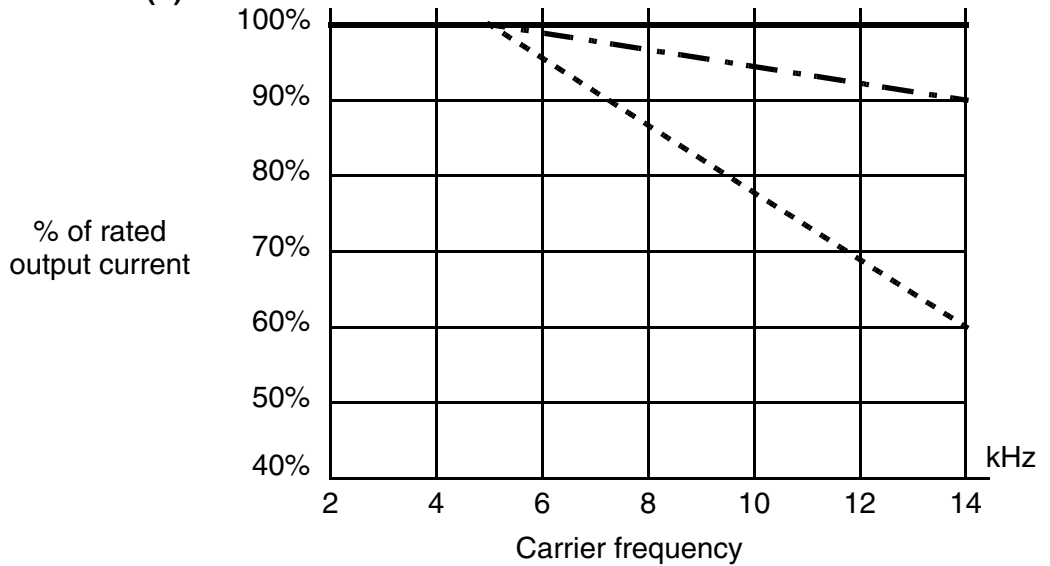
**SJ200-030HFE(F)2,
-040HFE(F)2/HFU2**



SJ200-055HFE(F)2/HFU2



SJ200-075HFE(F)2/HFU2



Introduction to Variable-Frequency Drives

The Purpose of Motor Speed Control for Industry

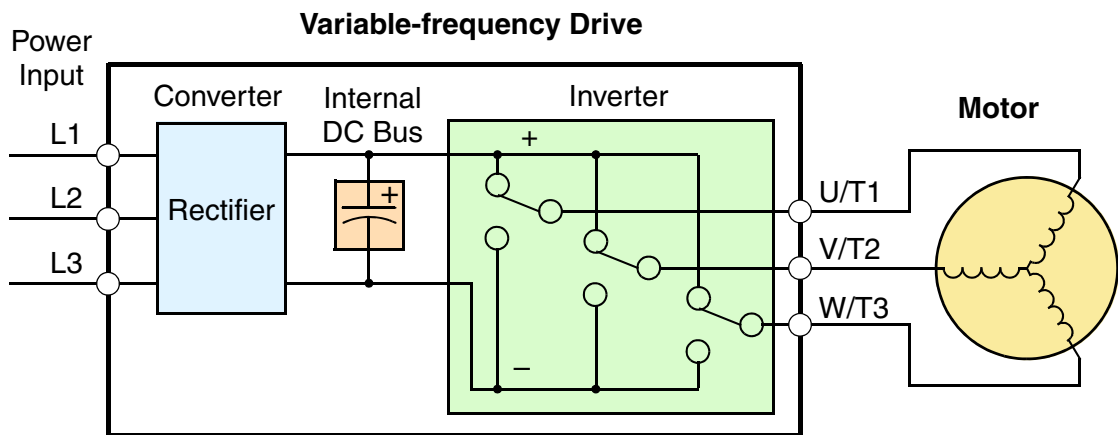
Hitachi inverters provide speed control for 3-phase AC induction motors. You connect AC power to the inverter, and connect the inverter to the motor. Many applications benefit from a motor with variable speed, in several ways:

- Energy savings - HVAC
- Need to coordinate speed with an adjacent process—textiles and printing presses
- Need to control acceleration and deceleration (torque)
- Sensitive loads - elevators, food processing, pharmaceuticals

What is an Inverter?

The term *inverter* and *variable-frequency drive* are related and somewhat interchangeable. An electronic motor drive for an AC motor can control the motor's speed by *varying the frequency* of the power sent to the motor.

An inverter, in general, is a device that converts DC power to AC power. The figure below shows how the variable-frequency drive employs an internal inverter. The drive first converts incoming AC power to DC through a rectifier bridge, creating an internal DC bus voltage. Then the inverter circuit converts the DC back to AC again to power the motor. The special inverter can vary its output frequency and voltage according to the desired motor speed.

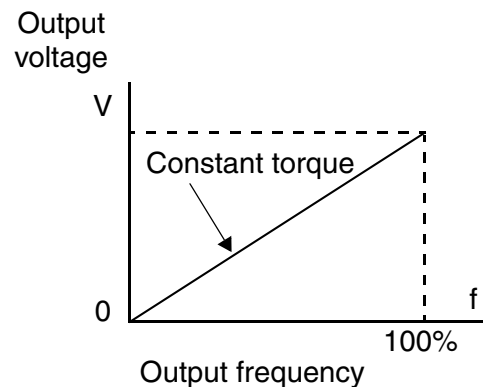


The simplified drawing of the inverter shows three double-throw switches. In Hitachi inverters, the switches are actually IGBTs (insulated gate bipolar transistors). Using a commutation algorithm, the microprocessor in the drive switches the IGBTs on and off at a very high speed to create the desired output waveforms. The inductance of the motor windings helps smooth out the pulses.

Torque and Constant Volts/Hertz Operation

In the past, AC variable speed drives used an open loop (scalar) technique to control speed. The constant-volts-per-hertz operation maintains a constant ratio between the applied voltage and the applied frequency. With these conditions, AC induction motors inherently delivered constant torque across the operating speed range. For some applications, this scalar technique was adequate.

Today, with the advent of sophisticated micro-processors and digital signal processors (DSPs), it is possible to control the speed and torque of AC induction motors with unprecedented accuracy. The SJ2002 utilizes these devices to perform complex mathematical calculations required to achieve superior performance. The technique is referred to as intelligent sensorless vector control (iSLV). It allows the drive to continuously monitor its output voltage and current, and their relationship to each other. From this it mathematically calculates two vector currents. One vector is related to motor flux current, and the other to motor torque current. The ability to separately control these two vectors is what allows the SJ2002 to deliver extraordinary low-speed performance and speed control accuracy.



Inverter Input and Three-Phase Power

The Hitachi SJ2002 Series of inverters includes two sub-groups: the 200V class and the 400V class inverters. The drives described in this manual may be used in either the United States or Europe, although the exact voltage level for commercial power may be slightly different from country to country. Accordingly, a 200V class inverter requires (nominal) 200 to 240VAC, and a 400V class inverter requires from 380 to 480VAC. Some 200V class inverters will accept single-phase or three-phase power, but all 400V class inverters require a three-phase power supply.



TIP: If your application only has single phase power available, refer to SJ2002 inverters of 3HP or less; they can accept single phase input power.

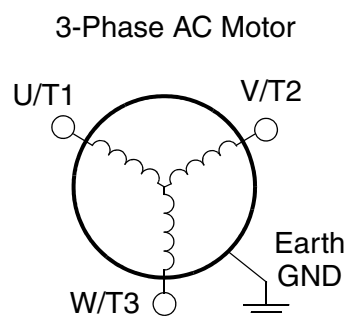
The common terminology for single phase power is Line (L) and Neutral (N). Three-phase power connections are usually labeled Line 1 [R/L1], Line 2 [S/L2] and Line 3 [T/L3]. In any case, the power source should include an earth ground connection. That ground connection will need to connect to the inverter chassis and to the motor frame (see “Wire the Inverter Output to Motor” on page 2-22).

Inverter Output to the Motor

The AC motor must be connected only to the inverter's output terminals. The output terminals are uniquely labeled (to differentiate them from the input terminals) with the designations U/T1, V/T2, and W/T3. This corresponds to typical motor lead connection designations T1, T2, and T3. It is often not necessary to connect a particular inverter output to a particular motor lead for a new application. The consequence of swapping any two of the three connections is the reversal of the motor direction. In applications where reversed rotation could cause equipment damage or personnel injury, be sure to verify direction of rotation before attempting full-speed operation. For safety to personnel, you must connect the motor chassis ground to the ground connection at the bottom of the inverter housing.

Notice the three connections to the motor do not include one marked "Neutral" or "Return." The motor represents a balanced "Y" impedance to the inverter, so there is no need for a separate return. In other words, each of the three "Hot" connections serves also as a return for the other connections, because of their phase relationship.

The Hitachi inverter is a rugged and reliable device. The intention is for the inverter to assume the role of controlling power to the motor during all normal operations. Therefore, this manual instructs you not to switch off power to the inverter *while the motor is running* (unless it is an emergency stop). Also, do not install or use disconnect switches in the wiring from the inverter to the motor (except thermal disconnect). Of course, safety-related devices such as fuses must be in the design to break power during a malfunction, as required by NEC and local codes.



Intelligent Functions and Parameters

Much of this manual is devoted to describing how to use inverter functions and how to configure inverter parameters. The inverter is microprocessor-controlled, and has many independent functions. The microprocessor has an on-board EEPROM for parameter storage. The inverter's front panel keypad provides access to all functions and parameters, which you can access through other devices as well. The general name for all these devices is the *digital operator*, or *digital operator panel*. Chapter 2 will show you how to get a motor running, using a minimal set of function commands or configuring parameters.

The optional read/write programmer will let you read and write inverter EEPROM contents from the programmer. This feature is particularly useful for OEMs who need to duplicate a particular inverter's settings in many other inverters in assembly-line fashion.

Braking

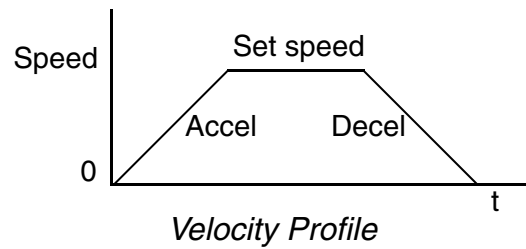
In general, braking is a force that attempts to slow or stop motor rotation. So it is associated with motor deceleration, but may also occur even when the load attempts to drive the motor faster than the desired speed (overhauling). If you need the motor and load to decelerate quicker than their natural deceleration during coasting, we recommend installing a braking resistor. The dynamic braking unit (built into the SJ2002) sends excess motor energy into a resistor to slow the motor and load (see "Introduction" on page 5-2 and "Dynamic Braking" on page 5-5 for more information). For loads that continuously overhaul the motor for extended periods of time, the SJ2002 may not be suitable (contact your Hitachi distributor).

The inverter parameters include acceleration and deceleration, which you can set to match the needs of the application. For a particular inverter, motor, and load, there will be a range of practically achievable accelerations and decelerations.

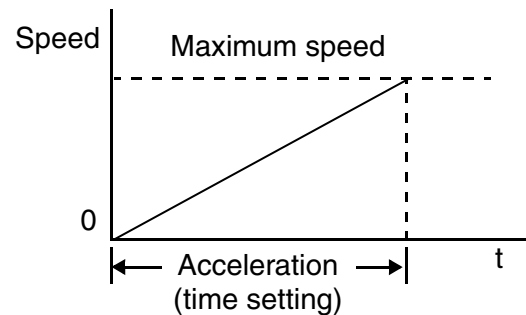


Velocity Profiles

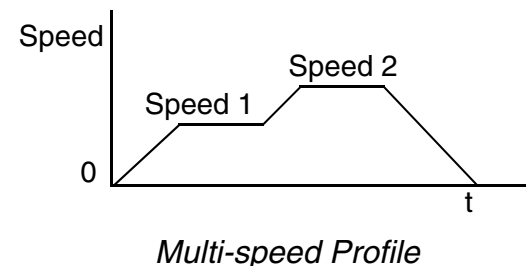
The SJ2002 inverter is capable of sophisticated speed control. A graphical representation of that capability will help you understand and configure the associated parameters. This manual makes use of the velocity profile graph used in industry (shown at right). In the example, *acceleration* is a ramp to a set speed, and *deceleration* is a decline to a stop.



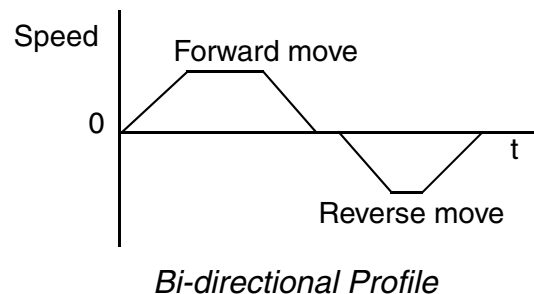
Acceleration and deceleration settings specify the time required to go from a stop to maximum frequency (or visa versa). The resulting slope (speed change divided by time) is the acceleration or deceleration. An increase in output frequency uses the acceleration slope, while a decrease uses the deceleration slope. The accel or decel time a particular speed change depends on the starting and ending frequencies. However, the slope is constant, corresponding to the full-scale accel or decel time setting. For example, the full-scale acceleration setting (time) may be 10 seconds—the time required to go from 0 to 60 Hz.



The SJ2002 inverter can store up to 16 preset speeds. And, it can apply separate acceleration and deceleration transitions from any preset to any other preset speed. A multi-speed profile (shown at right) uses two or more preset speeds, which you can select via intelligent input terminals. This external control can apply any preset speed at any time. Alternatively, the selected speed is infinitely variable across the speed range. You can use the potentiometer control on the keypad for manual control. The drive accepts analog 0-10V signals and 4-20 mA control signals as well.



The inverter can drive the motor in either direction. Separate FW and RV commands select the direction of rotation. The motion profile example shows a forward motion followed by a reverse motion of shorter duration. The speed presets and analog signals control the magnitude of the speed, while the FWD and REV commands determine the direction before the motion starts.



NOTE: The SJ2002 can move loads in both directions. However, it is not designed for use in servo-type applications that use a bipolar velocity signal that determines direction.

Frequently Asked Questions

- Q.** What is the main advantage in using an inverter to drive a motor, compared to alternative solutions?
- A.** An inverter can vary the motor speed with very little loss of efficiency, unlike mechanical or hydraulic speed control solutions. The resulting energy savings usually pays for the inverter in a relatively short time.
- Q.** The term “inverter” is a little confusing, since we also use “drive” and “amplifier” to describe the electronic unit that controls a motor. What does “inverter” mean?
- A.** The terms *inverter*, *drive*, and *amplifier* are used somewhat interchangeably in industry. Nowadays, the terms *drive*, *variable-frequency drive*, *variable-speed drive*, and *inverter* are generally used to describe electronic, microprocessor-based motor speed controllers. In the past, *variable-speed drive* also referred to various mechanical means to vary speed. *Amplifier* is a term almost exclusively used to describe drives for servo or stepper motors.
- Q.** What is the “Intelligent Sensorless Vector Control” feature?
- A.** Intelligent Sensorless Vector Control (iSLV) is Hitachi’s newest variable speed control technology. The original sensorless vector control (SLV) did not require motor shaft position sensors (thus “sensorless”), but still required setting several motor parameters (either manually or through an auto-tuning procedure). Now, iSLV uses proprietary Hitachi algorithms and high-speed processing to provide smooth control that adapts to motor characteristics in real time. Even the need to do auto-tuning procedures has been eliminated.
- Q.** Although the SJ2002 inverter is a variable speed drive, can I use it in a fixed-speed application?
- A.** Yes, sometimes an inverter can be used simply as a “soft-start” device, providing controlled acceleration and deceleration to a fixed speed. Other functions of the SJ2002 may be useful in such applications, as well. However, using a variable speed drive can benefit many types of industrial and commercial motor applications, by providing controlled acceleration and deceleration, high torque at low speeds, and energy savings over alternative solutions.
- Q.** Can I use an inverter and AC induction motor in a positioning application?
- A.** That depends on the required precision, and the slowest speed the motor will must turn and still deliver torque. The SJ2002 inverter will deliver full torque while turning the motor at only 0.5 Hz (15 RPM). **DO NOT** use an inverter if you need the motor to stop and hold the load position without the aid of a mechanical brake (use a servo or stepper motion control system).
- Q.** Can the inverter be controlled and monitored via a network?
- A.** Yes. SJ2002 inverters have built-in ModBus communications. See Appendix B for more information on network communications.

- Q.** Why does the manual or other documentation use terminology such as “200V class” instead of naming the actual voltage, such as “230 VAC?”
- A.** A specific inverter model is set at the factory to work across a voltage range particular to the destination country for that model. The model specifications are on the label on the side of the inverter. A European 200V class inverter (“EU” marking) has different parameter settings than a USA 200V class inverter (“US” marking). The initialization procedure (see “Restoring Factory Default Settings” on page 6–8) can set up the inverter for European or US commercial voltage ranges.
- Q.** Why doesn’t the motor have a neutral connection as a return to the inverter?
- A.** The motor theoretically represents a “balanced Y” load if all three stator windings have the same impedance. The Y connection allows each of the three wires to alternately serve as input or return on alternate half-cycles.
- Q.** Does the motor need a chassis ground connection?
- A.** Yes, for several reasons. Most importantly, this provides protection in the event of a short in the motor that puts a hazardous voltage on its housing. Secondly, motors exhibit leakage currents that increase with aging. Lastly, a grounded chassis generally emits less electrical noise than an ungrounded one.
- Q.** What type of motor is compatible with the Hitachi inverters?
- A.** **Motor type** – It must be a three-phase AC induction motor. Use an inverter-grade motor that has 800V insulation for 200V class inverters, or 1600V insulation for 400V class.
Motor size – In practice, it’s better to find the right size motor for your application; then look for the inverter to match the motor.



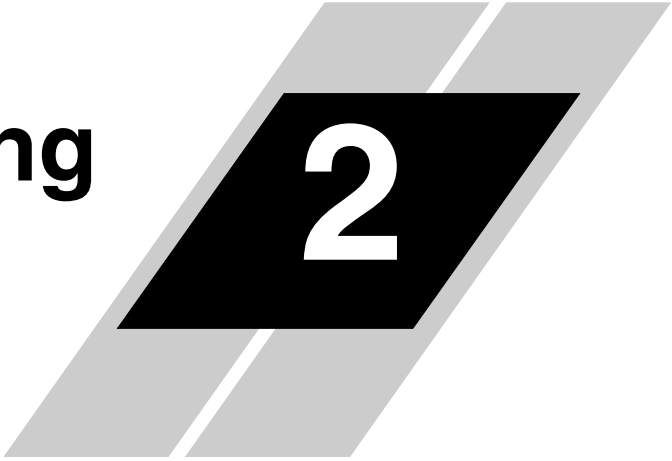
NOTE: There may be other factors that will affect motor selection, including heat dissipation, motor operating speed profile, enclosure type, and cooling method.

- Q.** How many poles should the motor have?
- A.** Hitachi inverters can be configured to operate motors with 2, 4, 6, or 8 poles. The greater the number of poles, the slower the top motor speed will be, but it will have higher torque at the base speed.
- Q.** Will I be able to add dynamic (resistive) braking to my Hitachi SJ2002 drive after the initial installation?
- A.** Yes. The SJ2002 inverter already has a dynamic braking circuit built in. Just add the resistor sized to meet the braking requirements. For more information, contact your nearest Hitachi representative.

- Q.** How will I know if my application will require resistive braking?
- A.** For new applications, it may be difficult to tell before you actually test a motor/drive solution. In general, some applications can rely on system losses such as friction to serve as the decelerating force, or otherwise can tolerate a long decel time. These applications will not need dynamic braking. However, applications with a combination of a high-inertia load and a required short decel time will need dynamic braking. This is a physics question that may be answered either empirically or through extensive calculations.
- Q.** Several options related to electrical noise suppression are available for the Hitachi inverters. How can I know if my application will require any of these options?
- A.** The purpose of these noise filters is to reduce the inverter electrical noise so the operation of nearby electrical devices is not affected. Some applications are governed by particular regulatory agencies, and noise suppression is mandatory. In those cases, the inverter must have the corresponding noise filter installed. Other applications may not need noise suppression, unless you notice electrical interference with the operation of other devices.
- Q.** The SJ2002 features a PID loop feature. PID loops are usually associated with chemical processes, heating, or process industries in general. How could the PID loop feature be useful in my application?
- A.** You will need to determine the particular main variable in your application the motor affects. That is the process variable (PV) for the motor. Over time, a faster motor speed will cause a faster change in the PV than a slow motor speed will. By using the PID loop feature, the inverter commands the motor to run at the optimal speed required to maintain the PV at the desired value for current conditions. Using the PID loop feature will require an additional sensor and other wiring, and is considered an advanced application.



Inverter Mounting and Installation



In This Chapter....	page
— Orientation to Inverter Features	2
— Basic System Description	8
— Step-by-Step Basic Installation.....	9
— Powerup Test	23
— Using the Front Panel Keypad	25

Orientation to Inverter Features

Unpacking and Inspection

Please take a few moments to unpack your new SJ2002 inverter and perform these steps:

1. Look for any damage that may have occurred during shipping.
2. Verify the contents of the box include:
 - a. One SJ2002 inverter
 - b. One Instruction Manual
 - c. One SJ2002 Quick Reference Guide
3. Inspect the specifications label on the side of the inverter. Make sure it matches the product part number you ordered.

Main Physical Features

The SJ2002 Series inverters vary in size according to the current output rating and motor size for each model number. All feature the same basic keypad and connector interface for consistent ease of use. The inverter construction has a heat sink at the back of the housing. The larger models include a fan(s) to enhance heat sink performance. The mounting holes are pre-drilled in the heat sink for your convenience. Smaller models have two mounting holes, while larger ones have four. Be sure to use all the mounting holes provided.

Two chassis GND screws are located on the metal tab on the heat sink at the bottom of the inverter. Never touch the heat sink during or just after operation; it can be very hot.

The electronics housing and front panel are built onto the front of the heat sink.

Inverter Keypad - The inverter uses a digital operator interface, or keypad. The four-digit display can show a variety of performance parameters. LEDs indicate whether the display units are Hertz or Amperes. Other LEDs indicate Power (external), and Run/Stop Mode and Program/Monitor Mode status. Membrane keys Run and Stop/Reset, and an output frequency potentiometer (speed setting knob) control motor operation. The FUNC., Δ , and ∇ keys allow an operator to navigate to the inverter's functions and parameter values. The Store key is used when changing a setting.



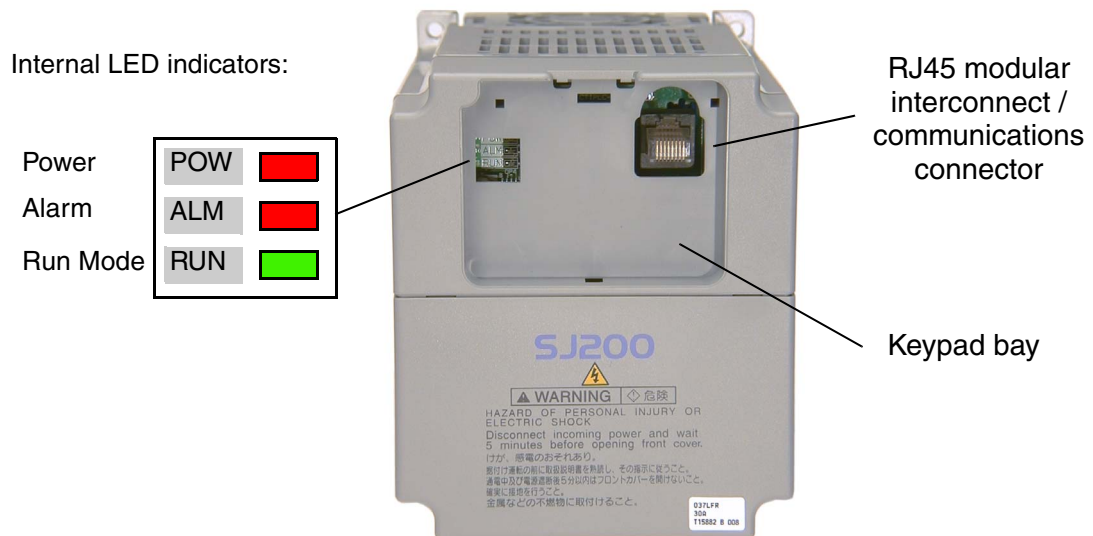
Inverter Keypad Removal and Installation

Keypad Removal - The SJ200₂ has a removable keypad. To remove the keypad, locate the retention latch as shown to the right. Press downward on the latch, while gently pulling toward you. The keypad will tilt forward, as two retaining tabs at the bottom edge of the keypad also hold it in place. Then remove the keypad from the keypad bay.



Internal LED Indicators / Communications Connector - Refer to the keypad bay in the illustration below. After removing the keypad, the internal LED viewing window will be visible. These LEDs indicate status for your convenience when the keypad is remotely mounted and you are nearer to the inverter location.

The RJ45 connection consists of two parts. The clear plastic RJ45 modular interconnect makes the connection between the inverter and the keypad. It is easily removed to allow you to plug a communications cable into the modular connector.



Installing the Keypad - Follow these steps:

1. Remember to install the RJ45 modular interconnect. Otherwise, there will be no connection to the keypad.
2. Set the bottom edge of the keypad into the inverter keypad bay.
3. Tilt the top edge of the keypad forward. If it stops before seating firmly, **DO NOT** force the keypad. You may need to adjust the end RJ45 modular connector slightly (upward or downward). Then seat the keypad.
4. Make sure the retention latch clicks into place on the inverter housing top edge. Otherwise, vibration may cause the keypad to loosen in the future.

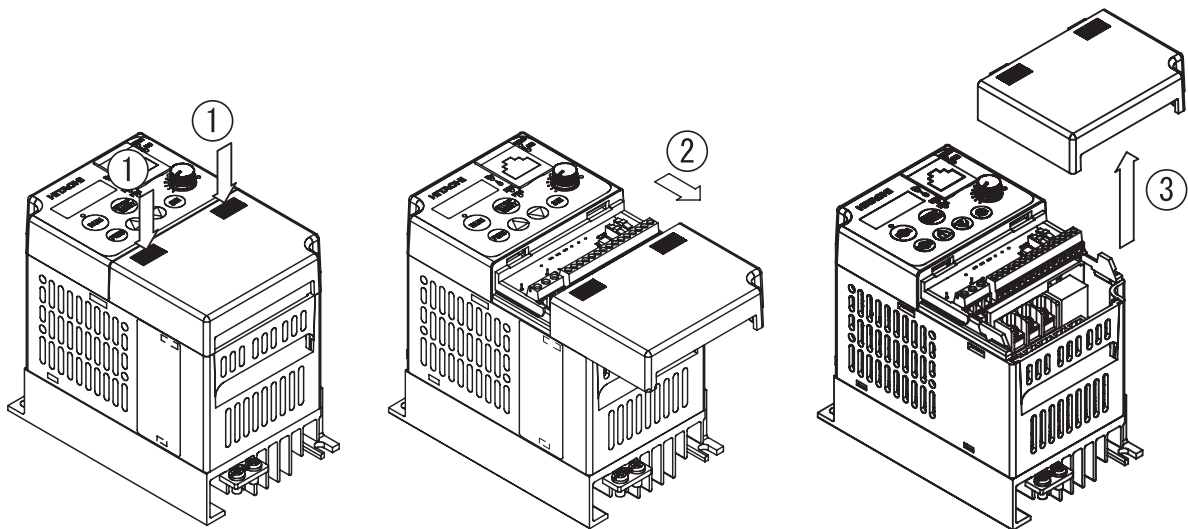
Front Housing Cover



HIGH VOLTAGE: Hazard of electrical shock. Disconnect incoming power before working on this control. Wait five (5) minutes before removing the front cover.

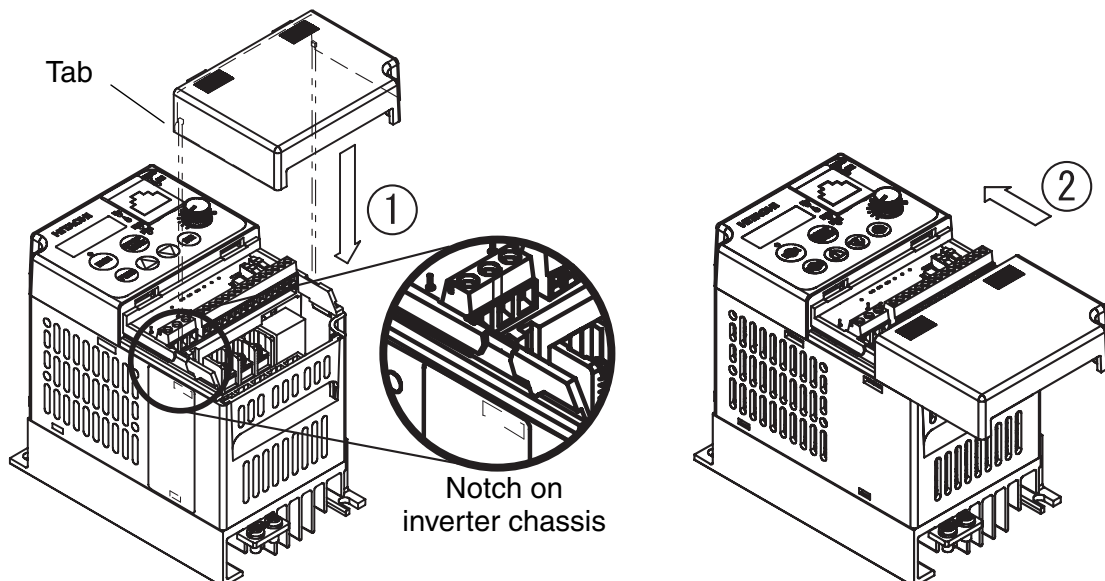
To remove the cover, follow the steps below (applies to all inverter models):

1. Press downward on the cover at the two areas indicated to release the retaining tabs.
2. Slide the cover forward and away from the keypad until the top edge of the cover reaches the notch in the inverter chassis.
3. Lift the cover upward to remove it.



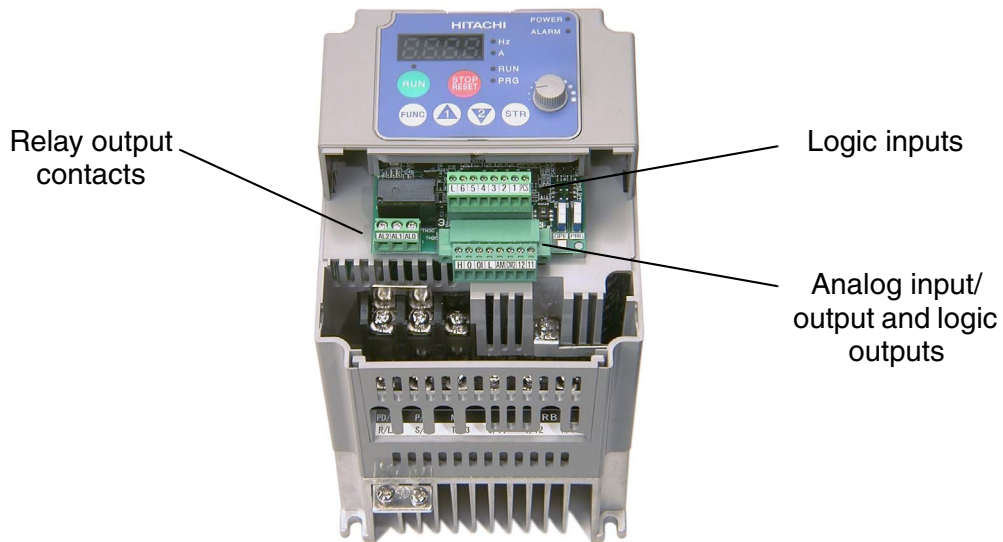
To install the cover, follow the steps below (applies to all inverter models):

1. Align the tabs on the front housing cover with the notch on each edge of the inverter chassis. Then lower the cover into position.
2. Slide the cover toward the keypad, keeping it flush against the inverter chassis. Continue until the cover latches into place.



Logic Connector Introduction

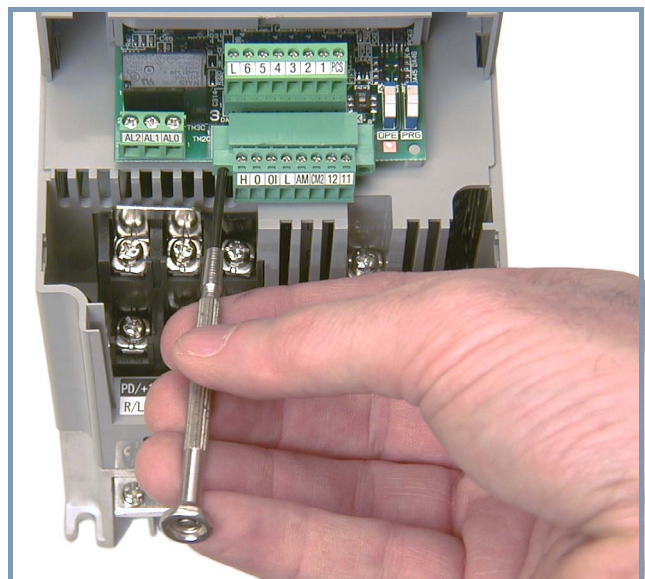
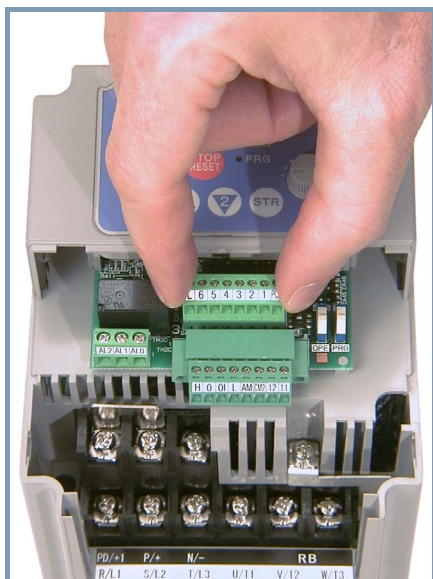
After removing the front housing cover, take a moment to become familiar with the connectors, as shown below.



Logic Connector Removal/Replacement - The two 8-position main logic connectors are removable from the circuit board to make testing or service more convenient. Note that the relay output connector is not removable, as it must carry higher currents and provide high integrity for alarm conditions. The alarm circuit may carry hazardous live voltages (from external wiring) even when the main power to the inverter is OFF. So, never directly touch any terminal or circuit component.

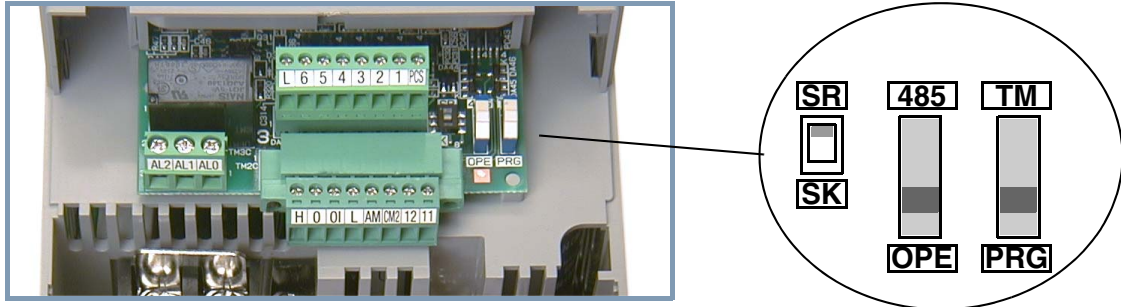
The logic input connector (top connector) can be removed by pulling gently upward as shown (below left). DO NOT force the connector, as damage to the circuit board may occur. Try gently shifting the connector side-to-side while pulling, if having difficulty.

The analog input/output and logic output connector (bottom connector) **has retention screws**. DO NOT attempt to remove the connector before loosening the screws. As the figure shows (below right), use a small Phillips screwdriver to loosen the screw at each end. The connector can be pulled forward easily after the screws are removed.

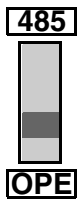


DIP Switch Introduction

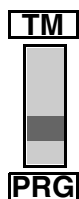
The inverter has three (3) internal DIP switches, located to the right of the logic connectors as shown below. This section provides an introduction, and refers you to other chapters that discuss each DIP switch in depth.



The SR/SK (Source/Sink) DIP switch configures the inverter's intelligent inputs for sinking or sourcing type circuit. Note that the installation and Powerup Test steps in this chapter do not require wiring the input terminals. The SR/SK switch configuration is covered in detail in "Using Intelligent Input Terminals" on page 4-9.



The 485/OPE (RS-485/Operator) DIP switch configures the inverter's RS-485 serial port. You can use the inverter's keypad (OPE-SRmini) either on the inverter, or connected via a cable to the serial port. For the keypad, either position of the 485/OPE DIP switch will work. However, communication with "smart" operator devices requires the proper setting. Using digital operators (such as OPE-SR or OPE-0EX requires the "OPE" setting. Inverter control via a ModBus network communication requires the "485" setting. See "Connecting the Inverter to ModBus" on page B-3 for more details.



The TM/PRG (Terminal/Program) DIP switch affects the inverter's setting for control sources. Parameter A001 sets the source selection for the inverter's output frequency (motor speed). Parameter A002 selects the Run command source (for FW and RV). These independently select among sources such as input terminals, inverter keypad keys and potentiometer, internal register settings, ModBus network, etc.

When the TM/PRG switch is set to PRG, parameter settings A001 and A002 are in effect. However, when the switch is in the TM (terminal) position, the inverter uses the analog input terminals for the motor speed setting, and uses the [FW] and/or [REV] terminals for the Run command. More information is in "Control Source Settings" on page 3-9.



NOTE: SJ2002 inverters have built-in ModBus RTU RS-485 communications. Connecting to other networks such as DeviceNet, Ethernet, CANopen, and ProfiBus is possible by adding optional, external interface devices. Contact your Hitachi distributor for more information.

Power Wiring Access - First, ensure no power source of any kind is connected to the inverter. If power has been connected, wait five minutes after powerdown and verify the Power LED is OFF to proceed. After removing the front housing cover, the housing partition that covers the power wiring exit will be able to slide upward as shown to the right.

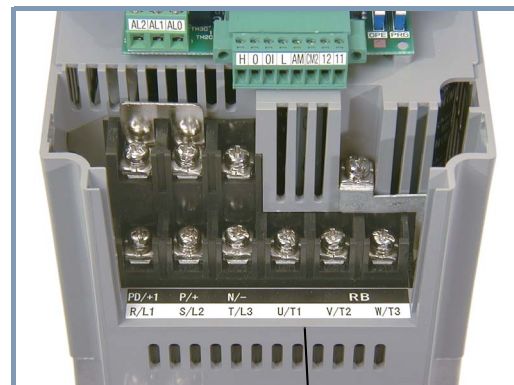
Notice the four wire exit slots (on larger model inverters) in the housing partition. This helps keep the power wiring (to the left) separate from signal-level logic or analog wiring (to the right).

Remove the housing partition and as shown as set it aside in a secure place while wiring. Never operate the inverter drive with the partition removed or the front housing cover removed.



The power input and motor 3-phase wiring connect to the lower row of terminals. The upper row of power terminals connect to optional dynamic braking components.

The following sections in this chapter will describe the system design and guide you through a step-by-step installation process. After the section on wiring, this chapter will show how to use the front panel keys to access functions and edit parameters.

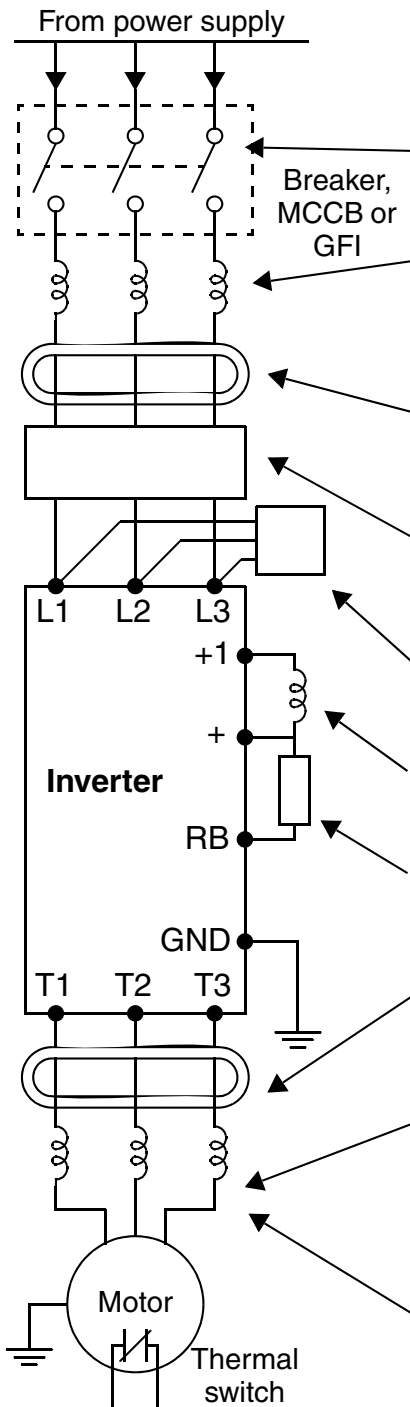


Power and motor connection terminals

Basic System Description

A motor control system will obviously include a motor and inverter, as well as a breaker or fuses for safety. If you are connecting a motor to the inverter on a test bench just to get started, that's all you may need for now. But a system can also have a variety of additional components. Some can be for noise suppression, while others may enhance the inverter's braking performance. The figure and table below show a system with all the optional components you may need in your finished application.

Inverter Mounting and Installation



Name	Function
Breaker / disconnect	A molded-case circuit breaker (MCCB), ground fault interrupter (GFI), or a fused disconnect device. NOTE: The installer must refer to the NEC and local codes to ensure safety and compliance.
Input-side AC Reactor	This is useful in suppressing harmonics induced on the power supply lines and for improving the power factor. WARNING: Some applications <i>must</i> use an input-side AC reactor to prevent inverter damage. See Warning on next page.
Radio noise filter	Electrical noise interference may occur on nearby equipment such as a radio receiver. This magnetic choke filter helps reduce radiated noise (can also be used on output).
EMI filter (for CE applications, see Appendix D)	Reduces the conducted noise on the power supply wiring between the inverter and the power distribution system. Connect to the inverter primary (input side).
Radio noise filter (use in non-CE applications)	This capacitive filter reduces radiated noise from the main power wires in the inverter input side.
DC link choke	Suppresses harmonics generated by the inverter. However, it will not protect the input diode bridge rectifier.
Braking resistor	This is useful for increasing the inverter's control torque for high duty-cycle (ON-OFF) applications, and improving the decelerating capability.
Radio noise filter	Electrical noise interference may occur on nearby equipment such as a radio receiver. This magnetic choke filter helps reduce radiated noise (can also be used on input).
Output-side AC reactor	This reactor reduces the vibrations in the motor caused by the inverter's switching waveforms, by smoothing the waveform to approximate commercial power quality. It is also useful to reduce harmonics when wiring from the inverter to the motor is more than 10m in length.
LCR filter	Sine wave shaping filter for output side.



NOTE: Note that some components are required for regulatory agency compliance (see Chapter 5 and Appendix D).



WARNING: In the cases below involving a general-purpose inverter, a large peak current can flow on the power supply side, sometimes destroying the converter module:

1. The unbalance factor of the power supply is 3% or higher.
2. The power supply capacity is at least 10 times greater than the inverter capacity (or the power supply capacity is 500 kVA or more).
3. Abrupt power supply changes are expected, due to conditions such as:
 - a. Several inverters are interconnected with a short bus.
 - b. A thyristor converter and an inverter are interconnected with a short bus.
 - c. An installed phase advance capacitor opens and closes.

Where these conditions exist or when the connected equipment must be highly reliable, you **MUST** install an input-side AC reactor of 3% (at a voltage drop at rated current) with respect to the supply voltage on the power supply side. Also, where the effects of an indirect lightning strike are possible, install a lightning conductor.

Step-by-Step Basic Installation

This section will guide you through the following basic steps of installation:

Step	Activity	Page
1	Choose a mounting location in compliance with the Warnings and Cautions. See NOTE below.	2-10
2	Check the mounting location for adequate ventilation.	2-11
3	Cover the inverter's ventilation openings to prevent debris from entering.	2-11
4	Check the inverter dimensions for footprint and mounting hole locations.	2-12
5	Study the Cautions, Warnings, wire and fuse sizes, and terminal torque specifications before wiring the inverter.	2-17
6	Connect wiring for the inverter power input.	2-19
7	Wire the inverter output to the motor.	2-22
8	Uncover the inverter's ventilation openings applied in Step 3.	2-23
9	Perform the Powerup Test. (This step includes several substeps.)	2-23
10	Make observations and check your installation.	2-34



NOTE: If the installation is in an EU country, study the EMC installation guidelines in Appendix D.

Choosing a Mounting Location



Step 1: Study the following caution messages associated with mounting the inverter.

This is the time when mistakes are most likely to occur that will result in expensive rework, equipment damage, or personal injury.



CAUTION: Be sure to install the unit on flame-resistant material such as a steel plate. Otherwise, there is the danger of fire.



CAUTION: Be sure not to place any flammable materials near the inverter. Otherwise, there is the danger of fire.



CAUTION: Be sure not to let the foreign matter enter vent openings in the inverter housing, such as wire clippings, spatter from welding, metal shavings, dust, etc. Otherwise, there is the danger of fire.



CAUTION: Be sure to install the inverter in a place that can bear the weight according to the specifications in the text (Chapter 1, Specifications Tables). Otherwise, it may fall and cause injury to personnel.



CAUTION: Be sure to install the unit on a perpendicular wall that is not subject to vibration. Otherwise, it may fall and cause injury to personnel.



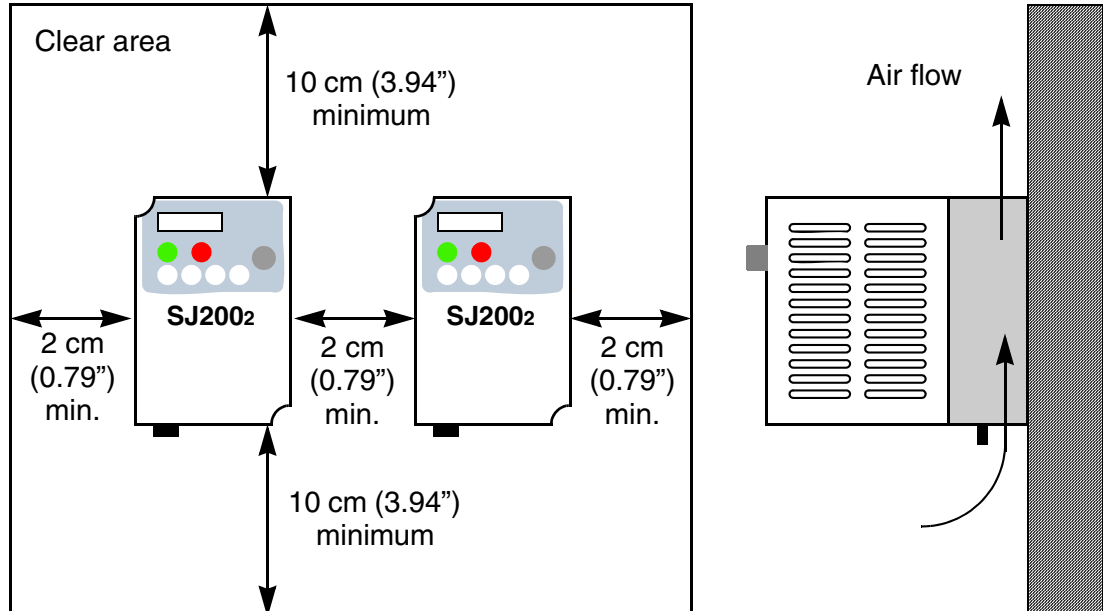
CAUTION: Be sure not to install or operate an inverter that is damaged or has missing parts. Otherwise, it may cause injury to personnel.



CAUTION: Be sure to install the inverter in a well-ventilated room that does not have direct exposure to sunlight, a tendency for high temperature, high humidity or dew condensation, high levels of dust, corrosive gas, explosive gas, inflammable gas, grinding-fluid mist, salt damage, etc. Otherwise, there is the danger of fire.

Ensure Adequate Ventilation

Step 2: To summarize the caution messages—you will need to find a solid, non-flammable, vertical surface that is in a relatively clean and dry environment. In order to ensure enough room for air circulation around the inverter to aid in cooling, maintain the specified clearance around the inverters specified in the diagram.



Inverter Mounting
and Installation



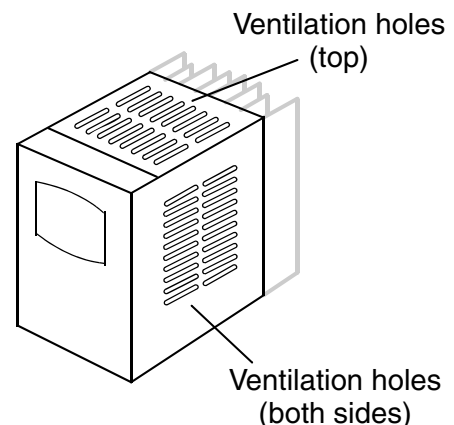
CAUTION: Be sure to maintain the specified clearance area around the inverter and to provide adequate ventilation. Otherwise, the inverter may overheat and cause equipment damage or fire.

Keep Debris Out of Inverter Vents

Step 3: Before proceeding to the wiring section, it's a good time to *temporarily* cover the inverter's ventilation openings. Paper and masking tape are all that is needed. This will prevent harmful debris such as wire clippings and metal shavings from entering the inverter during installation.

Please observe this checklist while mounting the inverter:

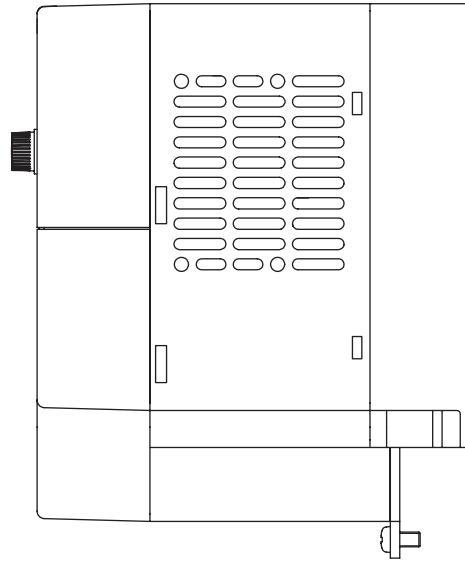
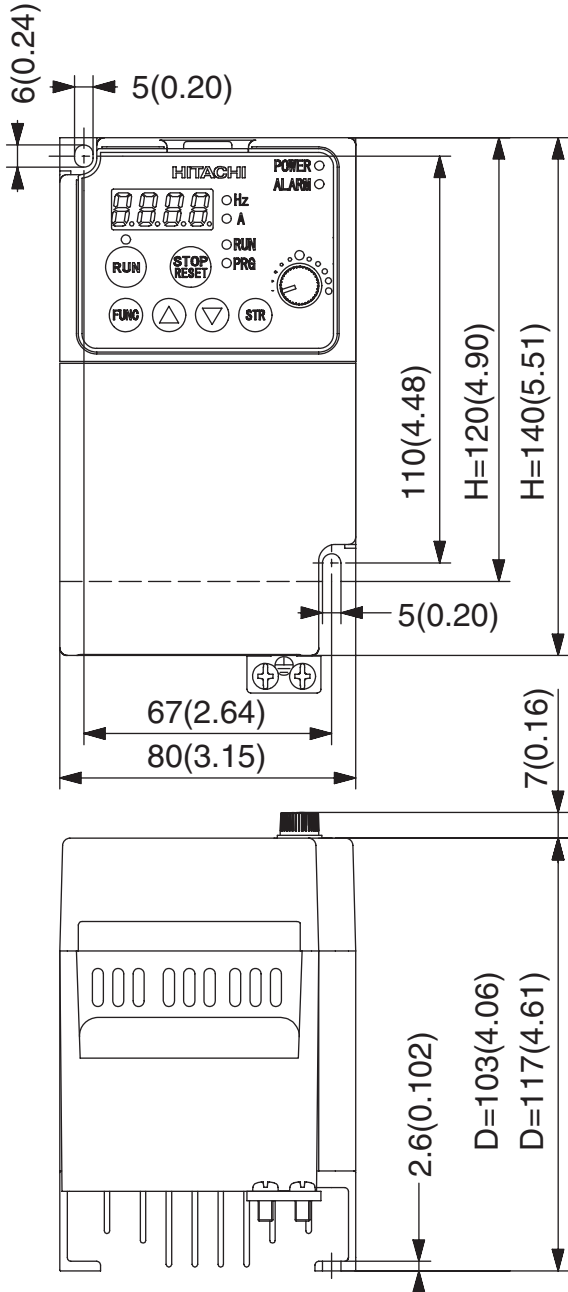
1. The ambient temperature must be in the range of -10 to 40°C .
2. Keep any other heat-producing equipment as far away from the inverter as possible.
3. When installing the inverter in an enclosure, maintain the clearance around the inverter and verify that its ambient temperature is within specification when the enclosure door is closed.
4. Do not remove the front housing cover at any time during operation.



Check Inverter Dimensions

Step 4: Locate the applicable drawing on the following pages for your inverter.
4 Dimensions are given in millimeters (inches) format.

SJ200-002NFU2/NFEF2, -004NFU2/NFEF2, -005NFEF2



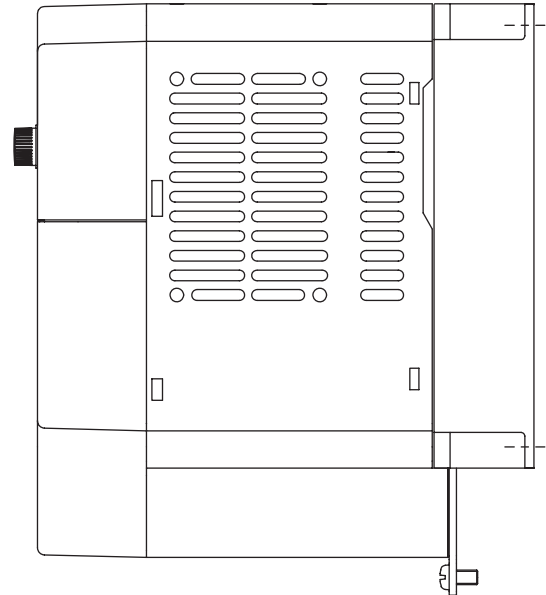
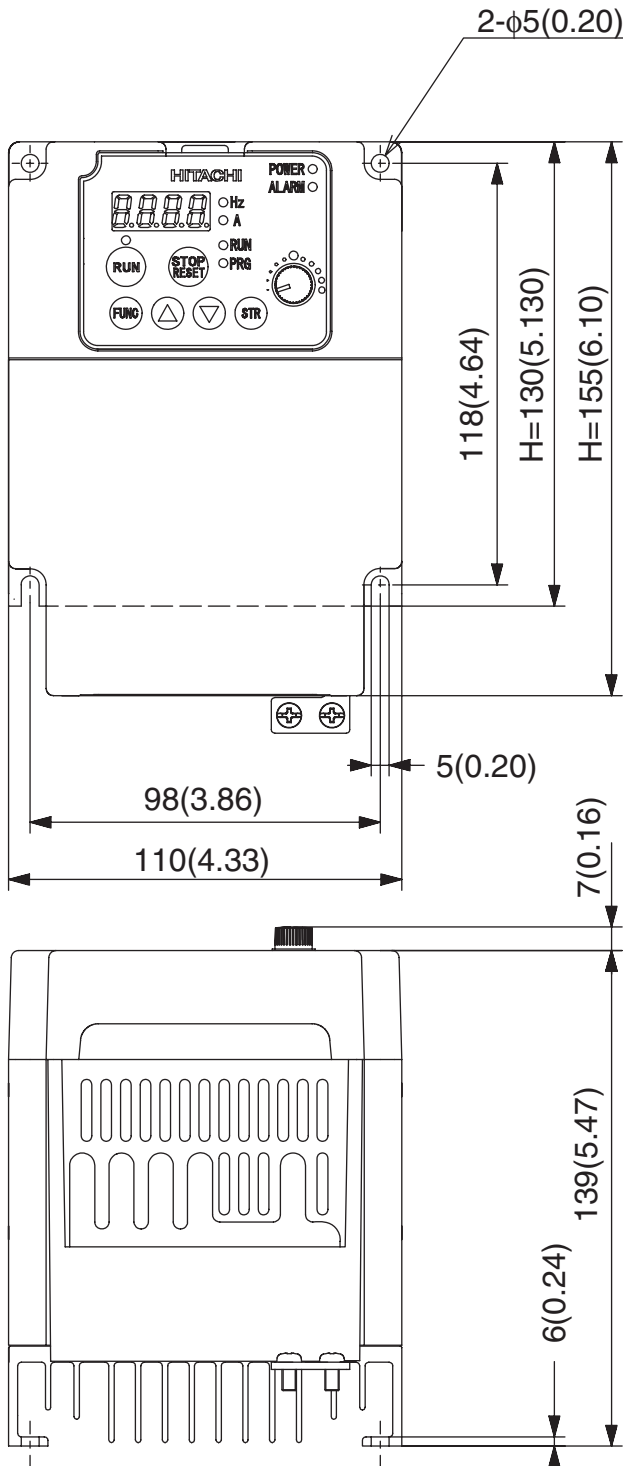
Model	H	D
-002NFU2	120(4.90)	103(4.06)
-002NFEF2	140(5.51)	103(4.06)
-004NFU2	120(4.90)	117(4.61)
-004NFEF2	140(5.51)	117(4.61)
-005NFEF2	140(5.51)	117(4.61)



NOTE: Some inverter housings require two mounting screws, while others require four. Be sure to use lock washers or other means to ensure screws do not loosen due to vibration.

Dimensional drawings, continued...

SJ200-004HFU2, -004HFEF2, -007NFEF2



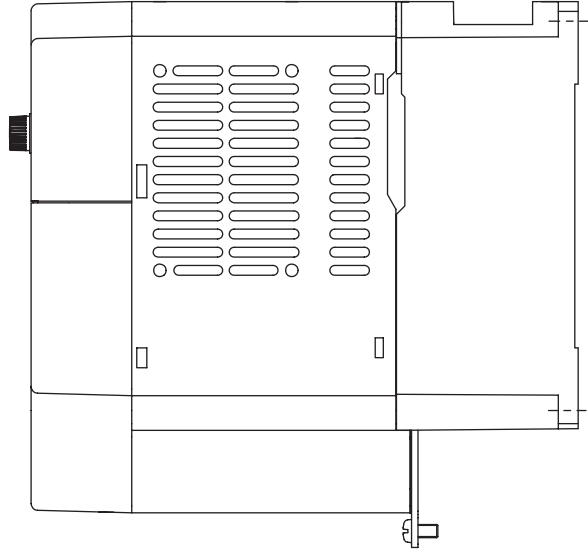
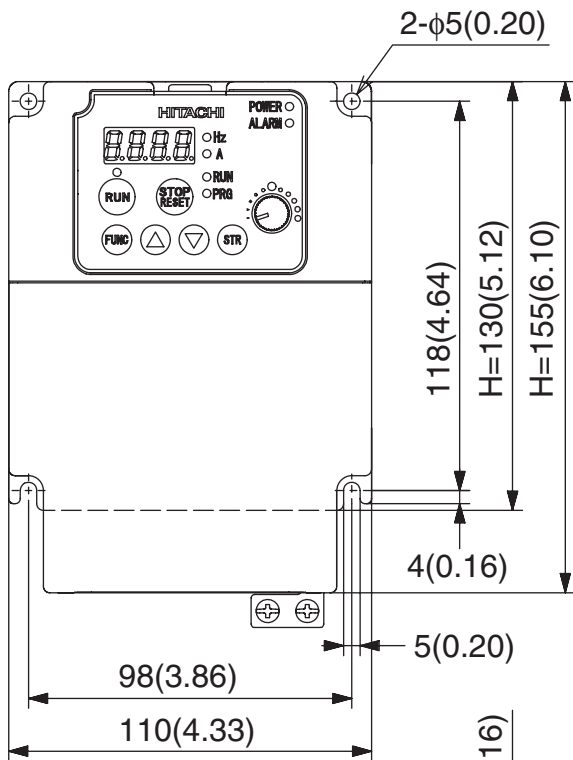
Inverter Mounting and Installation

Model	H
-004HFU2	130(5.13)
-004HFEF2	155(6.10)
-007NFEF2	155(6.10)

Dimensional drawings, continued...

SJ200-007HFU2, -007HFEF2

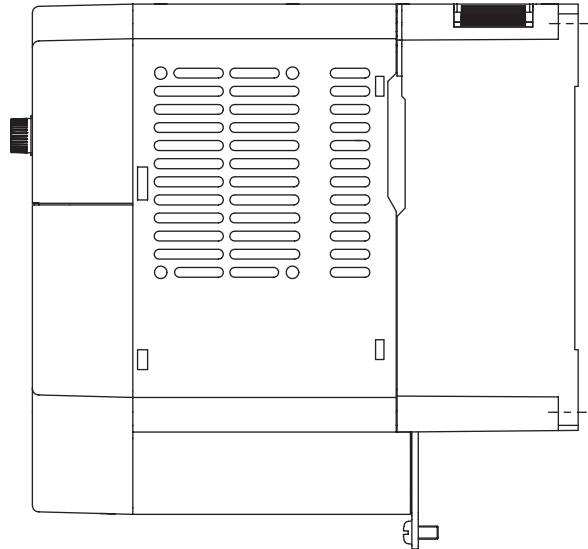
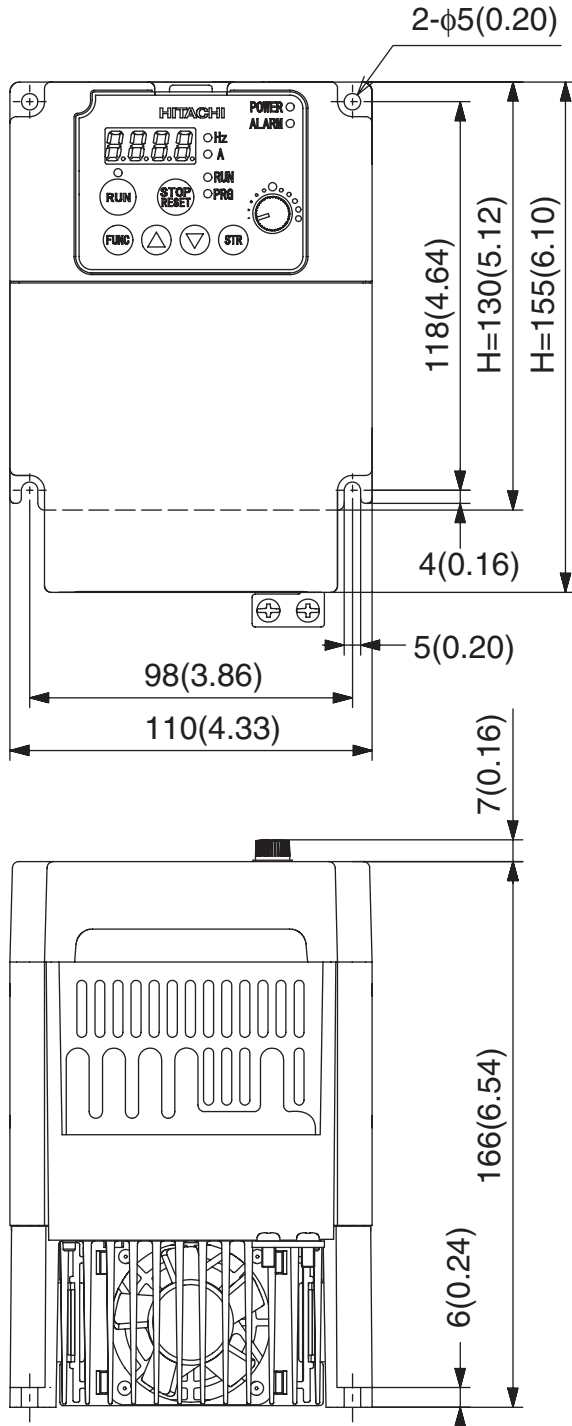
Inverter Mounting and Installation



Model	H
-007HFU2	130(5.12)
-007HFEF2	155(6.10)

Dimensional drawings, continued...

SJ200-015NFU2, 022NFU2, 037LFU2, 015HFU2, 022HFU2, 040HFU2, 015NFEF2, 022NFEF2, 015HFEF2, 022HFEF2, 030HFEF2, 040HFEF2



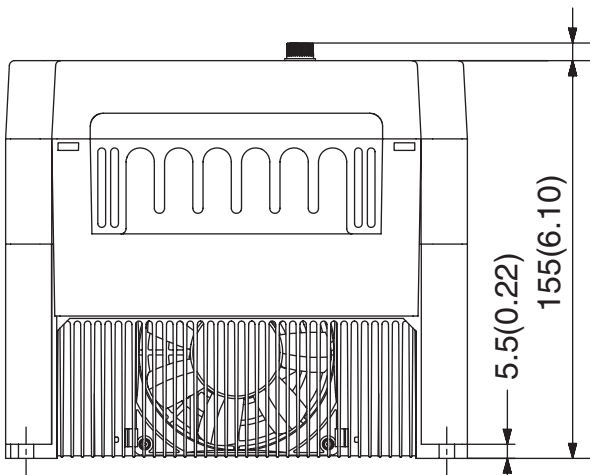
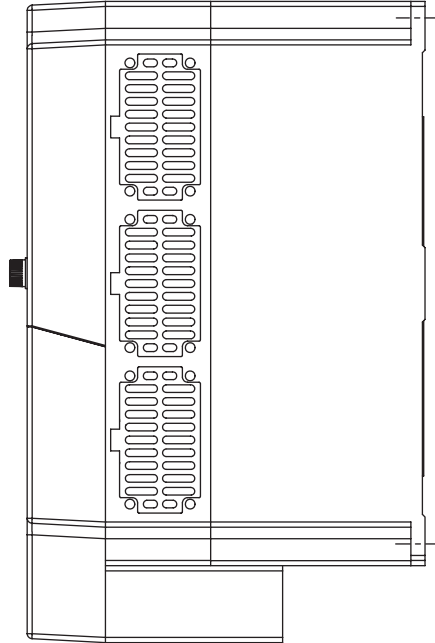
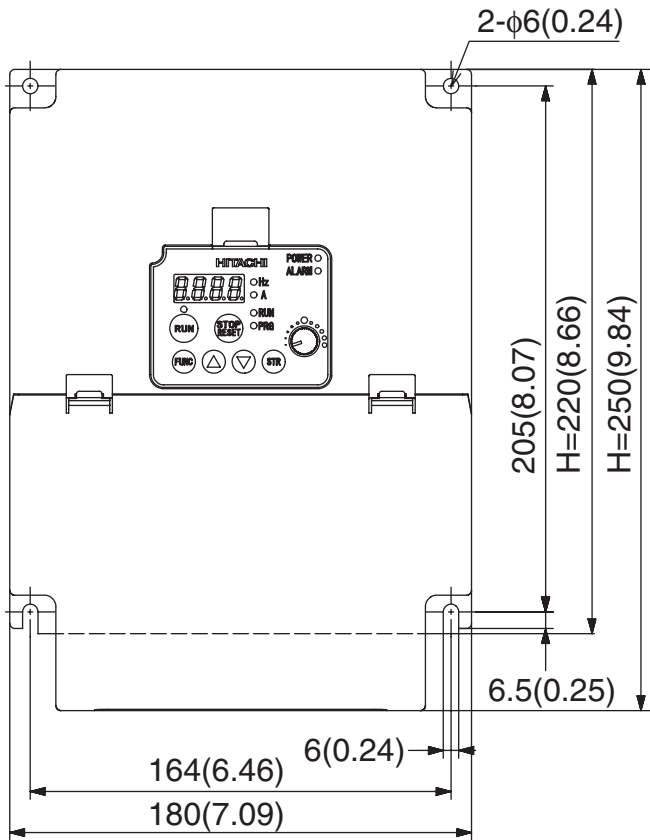
Inverter Mounting and Installation

Model	H
-015NFU2	130(5.12)
-022NFU2	130(5.12)
-037LFU2	130(5.12)
-015HFU2	130(5.12)
-022HFU2	130(5.12)
-040HFU2	130(5.12)
-015NFEF2	155(6.10)
-022NFEF2	155(6.10)
-015HFEF2	155(6.10)
-022HFEF2	155(6.10)
-030HFEF2	155(6.10)
-040HFEF2	155(6.10)

Dimensional drawings, continued...

SJ200-055LFU2, -075LFU2, -055HFEF2, -075HFEF2

Inverter Mounting and Installation



Model	H
-055LFU2	220(8.66)
-075LFU2	220(8.66)
-055HFEF2	250(9.84)
-075HFEF2	250(9.84)

Prepare for Wiring

5

Step 5: It is very important to perform the wiring steps carefully and correctly. Before proceeding, please study the caution and warning messages below.



WARNING: “Use 60/75°C Cu wire only” or equivalent.



WARNING: “Open Type Equipment.”



WARNING: “Suitable for use on a circuit capable of delivering not more than 100,000 rms symmetrical amperes, 240 V maximum.” For models with suffix N or L.



WARNING: “Suitable for use on a circuit capable of delivering not more than 100,000 rms symmetrical amperes, 480 V maximum.” For models with suffix H.



HIGH VOLTAGE: Be sure to ground the unit. Otherwise, there is a danger of electric shock and/or fire.



HIGH VOLTAGE: Wiring work shall be carried out only by qualified personnel. Otherwise, there is a danger of electric shock and/or fire.



HIGH VOLTAGE: Implement wiring after checking that the power supply is OFF. Otherwise, you may incur electric shock and/or fire.



HIGH VOLTAGE: Do not connect wiring to an inverter or operate an inverter that is not mounted according the instructions given in this manual. Otherwise, there is a danger of electric shock and/or injury to personnel.

Determining Wire and Fuse Sizes

The maximum motor currents in your application determines the recommended wire size. The following table gives the wire size in AWG. The “Power Lines” column applies to the inverter input power, output wires to the motor, the earth ground connection, and any other component shown in the “Basic System Description” on page 2–8. The “Signal Lines” column applies to any wire connecting to the two green 8-position connectors just inside the front panel half-door.

Inverter Mounting and Installation

Motor Output (kW/HP)		Inverter Model	Wiring		Applicable equipment
kW	HP		Power Lines	Signal Lines	Fuse / Breaker
0.2	1/4	SJ200-002NFE(F)2/NFU2	AWG16 / 1.3 mm ²	18 to 28 AWG / 0.14 to 0.75 mm ² shielded wire (see Note 4)	10A
0.4	1/2	SJ200-004NFE(F)2/NFU2			
0.55	3/4	SJ200-005NFE(F)2			
0.75	1	SJ200-007NFE(F)2/NFU2	AWG14 / 2.1 mm ²		15A
1.1	1 1/2	SJ200-011NFE(F)2			
1.5	2	SJ200-015NFE(F)2/NFU2	AWG12 / 3.3 mm ²		20A (single ph.) 15A (three ph.)
2.2	3	SJ200-022NFE(F)2/NFU2	AWG10 / 5.3 mm ²		30A (single ph.) 20A (three ph.)
3.7	5	SJ200-037LFU2	AWG10 / 5.3 mm ²		30A
5.5	7 1/2	SJ200-055LFU2	AWG10 / 5.3 mm ²		40A
7.5	10	SJ200-075LFU2	AWG8 / 8.4 mm ²		50A
0.4	1/2	SJ200-004HFE(F)2/HFU2	AWG16 / 1.3 mm ²		3A
0.75	1	SJ200-007HFE(F)2/HFU2			6A
1.5	2	SJ200-015HFE(F)2/HFU2		10A	
2.2	3	SJ200-022HFE(F)2/HFU2		10A	
3.0	4	SJ200-030HFE(F)2	AWG14 / 2.1 mm ²	15A	
4.0	5	SJ200-040HFE(F)2/HFU2			
5.5	7 1/2	SJ200-055HFE(F)2/HFU2	AWG12 / 3.3 mm ²	20A	
7.5	10	SJ200-075HFE(F)2/HFU2		25A	

- Note 1:** Field wiring must be made by a UL-listed and CSA-certified closed-loop terminal connector sized for the wire gauge involved. Connector must be fixed by using the crimping tool specified by the connector manufacturer.
- Note 2:** Be sure to consider the capacity of the circuit breaker to be used.
- Note 3:** Be sure to use a larger wire gauge if power line length exceeds 66 ft. (20m).
- Note 4:** Use 18 AWG / 0.75 mm² wire for the alarm signal wire ([AL0], [AL1], [AL2] terminals).
- Note 5:** The inverter’s input power wiring must include UL Listed, dual-element, 600V fuses, or UL Listed, inverse-time, 600V circuit breakers.

Terminal Dimensions and Torque Specs

The terminal screw dimensions for all SJ2002 inverters are listed in table below. This information is useful in sizing spade lug or ring lug connectors for wire terminations.



CAUTION: Fasten the screws with the specified fastening torque in the table below. Check for any loosening of screws. Otherwise, there is the danger of fire.

Connector	Number of Screw Terminals	Models 002NF, 004NF, 005NF		Models 007NF-022NF, 037LF, 004HF - 040HF		Models 055LF, 075LE, 055HF, 075HF	
		Screw Diameter	Width (mm)	Screw Diameter	Width (mm)	Screw Diameter	Width (mm)
Power Terminals	12	M3.5	7.1	M4	9	M5	13
Control Signal	16	M2	—	M2	—	M2	—
Alarm Signal	3	M3	—	M3	—	M3	—
Ground Terminals	2	M4	—	M4	—	M5	—

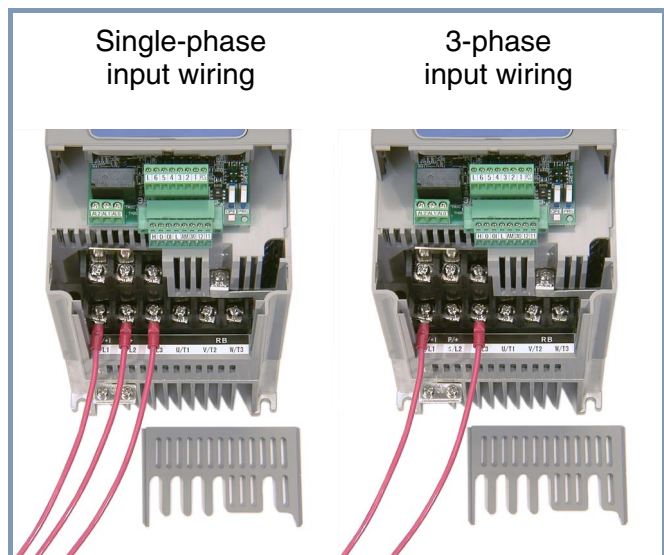
When connecting wiring, use the tightening torque listed in the following table to safely attach wiring to the connectors.

Screw	Tightening Torque	Screw	Tightening Torque	Screw	Tightening Torque
M2	0.2 N•m (max. 0.25 N•m)	M3.5	0.8 N•m (max. 0.9 N•m)	M5	2.0 N•m (max. 2.2 N•m)
M3	0.5 N•m (max. 0.6 N•m)	M4	1.2 N•m (max. 1.3 N•m)	—	—

Wire the Inverter Input to a Supply



Step 6: In this step, you will connect wiring to the input of the inverter. First, you must determine whether the inverter model you have requires three-phase power only, or if it can accept either single-phase or three-phase power. All models have the same power connector terminals [R/L1], [S/L2], and [T/L3]. So, you must refer to the specifications label (on the side of the inverter) for the acceptable power source types! For inverters that can accept single-phase power and are connected that way, terminal [S/L2] will remain unconnected.



The examples above show single-phase and 3-phase input wiring. Note the use of ring lug connectors for a secure connection.

Please use the terminal arrangement below corresponding to your inverter model.

Inverter models SJ200-002NFE(F)2/NFU2 to -005NFE(F)2/NFU2

Jumper					
L1	L2	RB	+1	+	-
L1	L2	N/L3	U/T1	V/T2	W/T3

Chassis Ground

Inverter models SJ200-007NFE(F)2 to -022NFE(F)2, -007NFU2 to -037LFU2, -004HFE(F)2/HFU2 to -040HFE(F)2/HFU2

Jumper					
+1	+	-	RB		
L1	L2	N/L3	U/T1	V/T2	W/T3
R/L1	S/L2	T/L3	U/T1	V/T2	W/T3

NFE(F), NFU →

LFU, HFE(F), HFU →

Chassis Ground

Inverter models SJ200-055LFU2, -055HFE2/HFU2, -075LFU2, -075HFE2/HFU2

R/L1	S/L2	T/L3	U/T1	V/T2	W/T3
PD/+1	P/+	N/-	RB		

Jumper

Chassis Ground

Inverter models SJ200-055HFEF2, -075HFEF2

L1	L2	L3	U/T1	V/T2	W/T3
+1	+	-	RB		

Jumper

Chassis Ground



NOTE: An inverter powered by a portable power generator may receive a distorted power waveform, overheating the generator. In general, the generator capacity should be five times that of the inverter (kVA).



CAUTION: Be sure that the input voltage matches the inverter specifications:

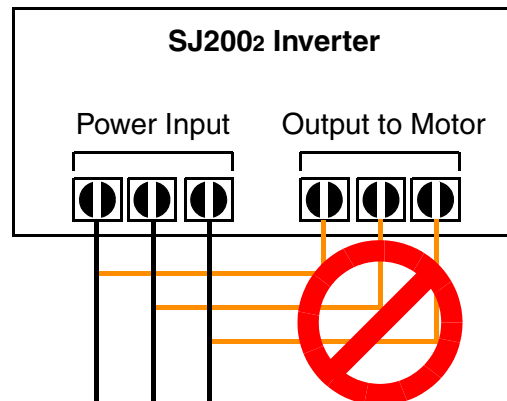
- Single/Three phase 200 to 240 V 50/60 Hz (up to 2.2kW) for NFE(F)/NFU models
- Three phase 200 to 240V 50/60Hz (above 2.2kW) for LFU models
- Three phase 380 to 480 V 50/60Hz for HFE(F) models



CAUTION: If you power a 3-phase-only inverter with single phase power, you must derate the output current. Be sure to call your Hitachi distributor for assistance. Otherwise, there is the possibility of damage to the inverter and the danger of fire.



CAUTION: Be sure not to connect an AC power supply to the output terminals. Otherwise, there is the possibility of damage to the inverter and the danger of injury and/or fire.



CAUTION: Remarks for using ground fault interrupter breakers in the main power supply:

Adjustable frequency inverters with CE-filters (RFI-filter) and shielded (screened) motor cables have a higher leakage current toward Earth GND. Especially at the moment of switching ON this can cause an inadvertent trip of ground fault interrupters. Because of the rectifier on the input side of the inverter there is the possibility to stall the switch-off function through small amounts of DC current. Please observe the following:

- Use only short time-invariant and pulse current-sensitive ground fault interrupters with higher trigger current.
- Other components should be secured with separate ground fault interrupters.
- Ground fault interrupters in the power input wiring of an inverter are not an absolute protection against electric shock.



CAUTION: Be sure to install a fuse in each phase of the main power supply to the inverter. Otherwise, there is the danger of fire.



CAUTION: For motor leads, ground fault interrupter breakers and electromagnetic contactors, be sure to size these components properly (each must have the capacity for rated current and voltage). Otherwise, there is the danger of fire.

Wire the Inverter Output to Motor

7

Step 7: The process of motor selection is beyond the scope of this manual. However, it must be an AC induction motor with three phases. It should also come with a chassis ground lug. If the motor does not have three power input leads, stop the installation and verify the motor type. Other guidelines for wiring the motor include:

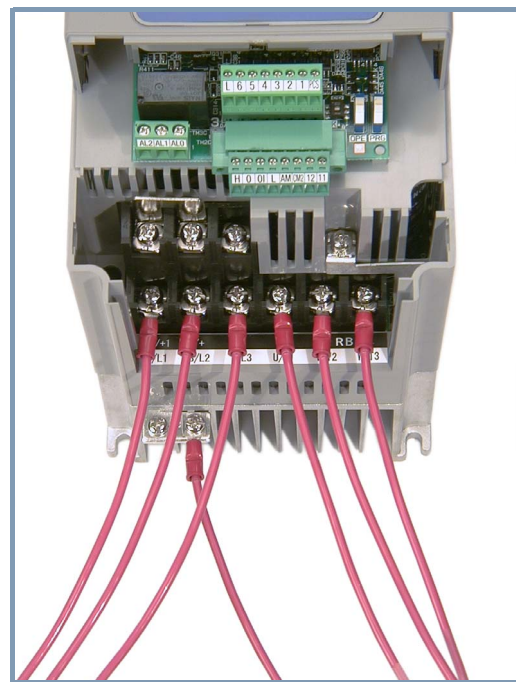
- Use an inverter-grade motor for maximum motor life (1600V insulation).
- For standard motors, use the AC reactor accessory if the wiring between the inverter and motor exceeds 10 meters in length.

Simply connect the motor to the terminals [U/T1], [V/T2], and [W/T3] as shown to the right. This is a good time to connect the chassis ground lug on the drive as well. The motor chassis ground must also connect to the same point. Use a star ground (single-point) arrangement, and never daisy-chain the grounds (point-to-point).

Use the same wire gauge on the motor and chassis ground wiring as you used on the power input wiring in the previous step. After completing the wiring:

- Check the mechanical integrity of each wire crimp and terminal connection.
- Replace the housing partition that covers access to the power connections.
- Replace the front housing cover. First, align the two hinging tabs. Then press the cover onto the inverter until the locking tabs click into place.

SJ200-037HFE(F)2/LFU2 Wiring Example



To Power
Supply

To Chassis
Ground

To Motor

Logic Control Wiring

After completing the initial installation and powerup test in this chapter, you may need to wire the logic signal connector for your application. For new inverter users/applications, we highly recommend that you first complete the powerup test in this chapter without adding any logic control wiring. Then you will be ready to set the required parameters for logic control as covered in Chapter 4, Operations and Monitoring.

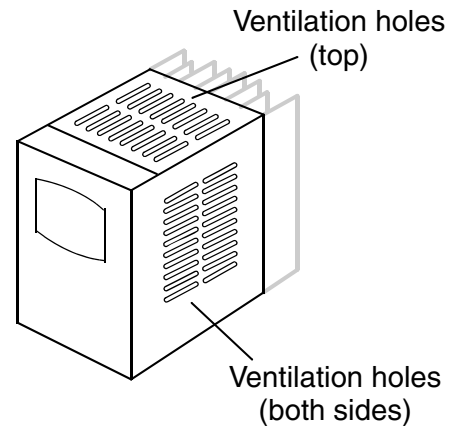
Uncover the Inverter Vents

8

Step 8: After mounting and wiring the inverter, remove any covers from the inverter housing. This includes material over the side ventilation ports.



WARNING: Make sure the input power to the inverter is OFF. If the drive has been powered, leave it OFF for five minutes before continuing.



Powerup Test

9

Step 9: After wiring the inverter and motor, you're ready to do a powerup test. The procedure that follows is designed for the first-time use of the drive. Please verify the following conditions before conducting the powerup test:

- You have followed all the steps in this chapter up to this step.
- The inverter is new, and is securely mounted to a non-flammable vertical surface
- The inverter is connected to a power source and motor.
- No additional wiring of inverter connectors or terminals has been done.
- The power supply is reliable, and the motor is a known working unit, and the motor nameplate ratings match the inverter ratings.
- The motor is securely mounted, and is not connected to any load.

Goals for the Powerup Test

If there are any exceptions to the above conditions at this step, please take a moment to take any measures necessary to reach this basic starting point. The specific goals of this powerup test are:

1. Verify that the wiring to the power supply and motor is correct.
2. Demonstrate that the inverter and motor are generally compatible.
3. Get an introduction to the use of the built-in operator keypad.

The powerup test gives you an important starting point to ensure a safe and successful application of the Hitachi inverter. We highly recommend performing this test before proceeding to the other chapters in this manual.

Pre-test and Operational Precautions

The following instructions apply to the powerup test, or to any time the inverter is powered and operating. Please study the following instructions and messages before proceeding with the powerup test.

1. The power supply must have fusing suitable for the load. Check the fuse size chart presented in Step 5, if necessary.
2. Be sure you have access to a disconnect switch for the drive input power if necessary. However, do not turn OFF power during inverter operation unless it is an emergency.
3. Turn the keypad potentiometer to the minimum position (fully counter-clockwise).



CAUTION: The heat sink fins will have a high temperature. Be careful not to touch them. Otherwise, there is the danger of getting burned.



CAUTION: The operation of the inverter can be easily changed from low speed to high speed. Be sure to check the capability and limitations of the motor and machine before operating the inverter. Otherwise, there is the danger of injury.



CAUTION: If you operate a motor at a frequency higher than the inverter standard default setting (50Hz/60Hz), be sure to check the motor and machine specifications with the respective manufacturer. Only operate the motor at elevated frequencies after getting their approval. Otherwise, there is the danger of equipment damage and/or injury.



CAUTION: Check the following before and during the powerup test. Otherwise, there is the danger of equipment damage.

- Is the shorting bar between the [+1] and [+] terminals installed? DO NOT power or operate the inverter if the jumper is removed.
- Is the direction of the motor rotation correct?
- Did the inverter trip during acceleration or deceleration?
- Were the rpm and frequency meter readings as expected?
- Were there any abnormal motor vibrations or noise?

Powering the Inverter

If you have followed all the steps, cautions and warnings up to this point, you're ready to apply power. After doing so, the following events should occur:

- The *POWER LED* will illuminate.
- The numeric (7-segment) LEDs will display a test pattern, then stop at *0.0*.
- The *Hz LED* will be ON.

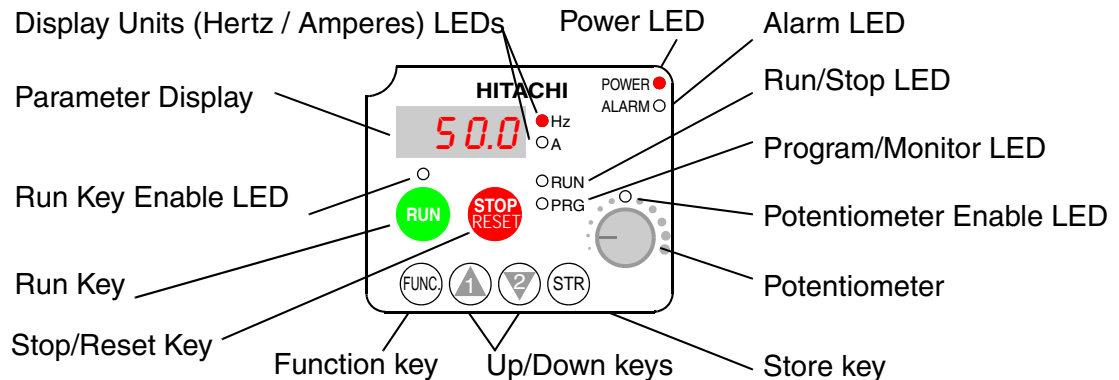
If the motor starts running unexpectedly or any other problem occurs, press the *STOP* key. Only if necessary should you remove power to the inverter as a remedy.



NOTE: If the inverter has been previously powered and programmed, the LEDs (other than the *POWER LED*) may illuminate differently than as indicated above. If necessary, you can initialize all parameters to the factory default settings. See “Restoring Factory Default Settings” on page 6–8.

Using the Front Panel Keypad

Please take a moment to familiarize yourself with the keypad layout shown in the figure below. The display is used in programming the inverter's parameters, as well as monitoring specific parameter values during operation.

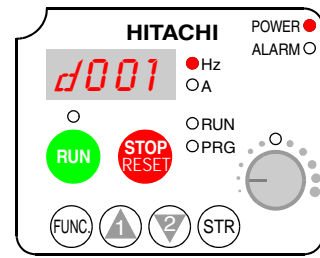


Key and Indicator Legend

- **Run/Stop LED** - ON when the inverter output is ON and the motor is developing torque (Run Mode), and OFF when the inverter output is OFF (Stop Mode).
- **Program/Monitor LED** - This LED is ON when the inverter is ready for parameter editing (Program Mode). It is OFF when the parameter display is monitoring data (Monitor Mode).
- **Run Key Enable LED** - is ON when the inverter is ready to respond to the Run key, OFF when the Run key is disabled.
- **Run Key** - Press this key to run the motor (the Run Enable LED must be ON first). Parameter F004, Keypad Run Key Routing, determines whether the Run key generates a Run FWD or Run REV command.
- **Stop/Reset Key** - Press this key to stop the motor when it is running (uses the programmed deceleration rate). This key will also reset an alarm that has tripped.
- **Potentiometer** - Allows an operator to directly set the motor speed when the potentiometer is enabled for output frequency control.
- **Potentiometer Enable LED** - ON when the potentiometer is enabled for value entry.
- **Parameter Display** - A 4-digit, 7-segment display for parameters and function codes.
- **Display Units, Hertz/Amperes** - One of these LEDs will be ON to indicate the units associated with the parameter display.
- **Power LED** - This LED is ON when the power input to the inverter is ON.
- **Alarm LED** - ON when an inverter trip is active (alarm relay contacts will be closed).
- **Function Key** - This key is used to navigate through the lists of parameters and functions for setting and monitoring parameter values.
- **Up/Down (\triangle , ∇) Keys** - Use these keys alternately to move up or down the lists of parameter and functions shown in the display, and increment/decrement values.
- **Store (STR) Key** - When the unit is in Program Mode and you have edited a parameter value, press the Store key to write the new value to the EEPROM.

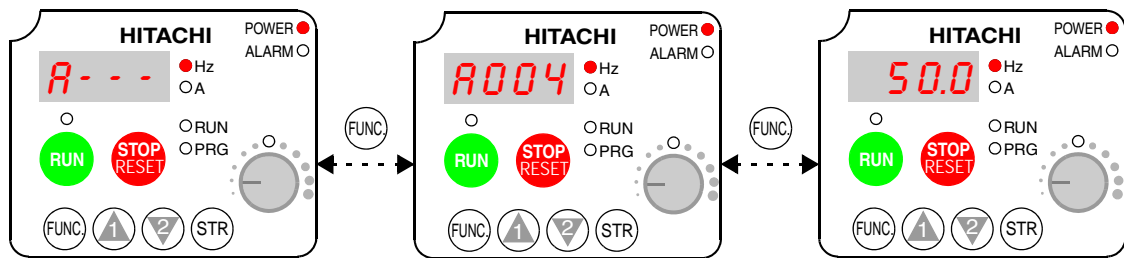
Keys, Modes, and Parameters

The purpose of the keypad is to provide a way to change modes and parameters. The term *function* applies to both monitoring modes and parameters. These are all accessible through *function codes* that are primarily 4-character codes. The various functions are separated into related groups identifiable by the left-most character, as the table shows.



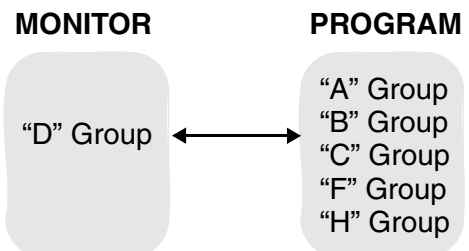
Function Group	Type (Category) of Function	Mode to Access	PRG LED Indicator
“D”	Monitoring functions	Monitor	○
“F”	Main profile parameters	Program	●
“A”	Standard functions	Program	●
“B”	Fine tuning functions	Program	●
“C”	Intelligent terminal functions	Program	●
“H”	Motor constant functions	Program	●
“E”	Error codes	—	—

For example, function “A004” is the *base frequency setting* for the motor, typically 50 Hz or 60 Hz. To edit the parameter, the inverter must be in Program Mode (PRG LED will be ON). You use the front panel keys to first select the function code “A004.” After displaying the value for “A004,” use the Up/Down (\triangle or ∇) keys to edit it.



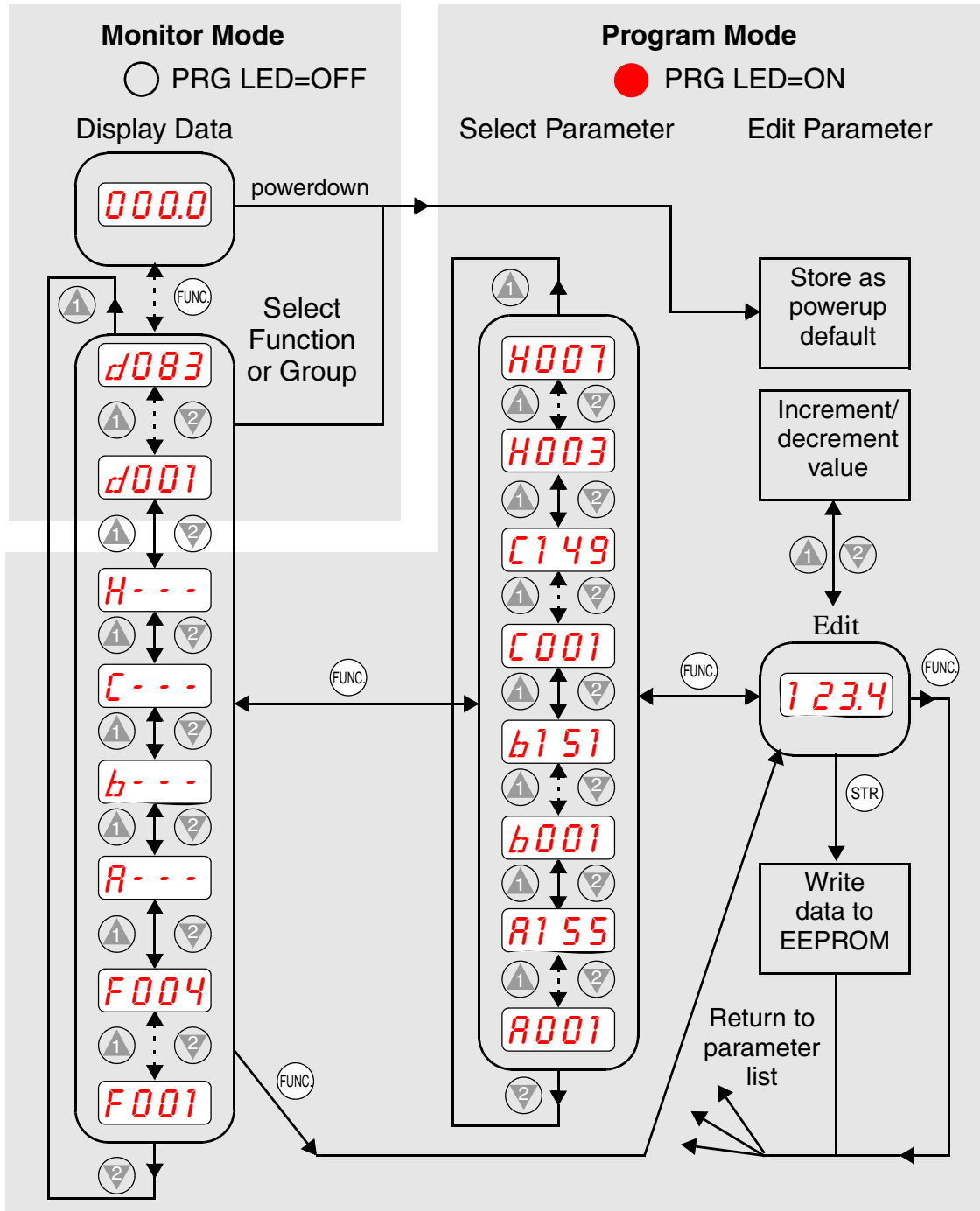
NOTE: The inverter 7-segment display shows lower case “b” and “d,” meaning the same as the upper case letters “B” and “D” used in this manual (for uniformity “A to F”).

The inverter automatically switches into Monitor Mode when you access “D” Group functions. It switches into Program Mode when you access any other group, because they all have editable parameters. Error codes use the “E” Group, and appear automatically when a fault event occurs. Refer to “Monitoring Trip Events, History, & Conditions” on page 6-5 for error code details.



Keypad Navigational Map

The SJ2002 Series inverter drives have many programmable functions and parameters. Chapter 3 will cover these in detail, but you need to access just a few items to perform the powerup test. The menu structure makes use of function codes and parameter codes to allow programming and monitoring with only a 4-digit display and a few keys and LEDs. So, it is important to become familiar with the basic navigational map of parameters and functions in the diagram below. You may later use this map as a reference.



Inverter Mounting and Installation

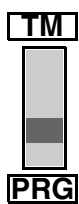
The navigational map shows the relationship of all resources of the inverter in one view. In general, use the **FUNC.** key to move left and right, and the **▲** **▼** (arrow) keys to move up and down.

Selecting Functions and Editing Parameters

To prepare to run the motor in the powerup test, this section will show how to configure the necessary parameters:

1. Confirm the TM/PRG DIP switch setting.
2. Select the keypad potentiometer as the source of motor speed command (A001)
3. Select the keypad as the source of the RUN command (A002)
4. Set the inverter's maximum output frequency to the motor (A003)
5. Set the motor current for proper thermal protection (B012)
6. Set the inverter's Automatic Voltage Regulation for the motor (A082)
7. Set the number of poles for the motor (H004)

The following series of programming tables are designed for successive use. Each table uses the previous table's final state as the starting point. Therefore, start with the first and continue programming until the last one. If you get lost or concerned that some of the other parameters settings may be incorrect, refer to "Restoring Factory Default Settings" on page 6-8.



TM/PRG DIP Switch Setting - This switch must be in the "PRG" position (factory default) in order for A001 and A002 settings to be active. Otherwise, the keypad will be unable to accept a Run command or set the motor speed with the potentiometer. If the switch setting has been changed, see the "DIP Switch Introduction" on page 2-6.

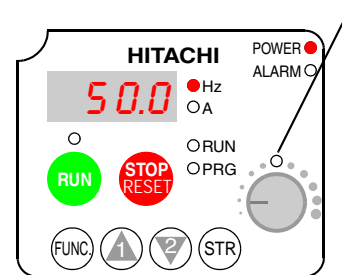
Prepare to Edit Parameters - This sequence begins with powering ON the inverter; then it shows how to navigate to the "A" Group parameters for subsequent settings. You can also refer to the "Keypad Navigational Map" on page 2-27 for orientation throughout the steps.

Action	Display	Func./Parameter
Turn ON the inverter.		Inverter output frequency displayed (0Hz in Stop Mode).
Press the key.		"D" Group selected
Press the key four times.		"A" Group selected

Select the Potentiometer for Speed Command -

The inverter output frequency can be set from several sources, including an analog input, memory setting, or the network, for example. The powerup test uses the keypad potentiometer as the speed control source for your convenience. In the figure to the right, notice the Potentiometer Enable LED, just above the knob. If the LED is ON, the potentiometer is already selected as the source, and you may skip this step. Note that the default setting depends on the country.

Potentiometer Enable LED

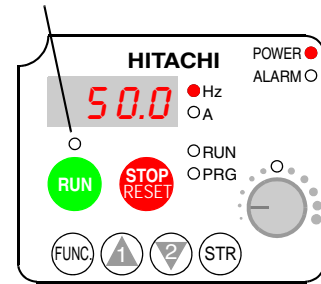


If the Potentiometer Enable LED is OFF, follow the steps below.

Action	Display	Func./Parameter
(Starting point)	A- - -	“A” Group selected
Press the (FUNC) key.	A001	Speed command source setting
Press the (FUNC) key again.	01	00 = Keypad potentiometer 01 = Control terminals 02 = Function F001 setting 03 = ModBus network 10 = Calculate function output
Press the (?) key.	00	00 = potentiometer (selected)
Press the (STR) key.	A001	Stores parameter, returns to “A” Group list

Select the Keypad for the RUN Command - The RUN command causes the inverter to accelerate the motor to the selected speed. The Run command can arrive from various sources, including the control terminals, the Run key on the keypad, or the network. In the figure to the right, notice the Run Key Enable LED, just above the Run key. If the LED is ON, the Run key is already selected as the source, and you may skip this step. Note that the default setting depends on the country.

Run Key Enable LED














If the Potentiometer Enable LED is OFF, follow the steps below (the table resumes action from the end of the previous table).

Action	Display	Func./Parameter
(Starting point)	A001	Speed command source setting
Press the (▲) key once.	A002	Run command source setting
Press the (FUNC) key.	01	01 = control terminals 02 = Run key on keypad 03 = ModBus network input
Press the (▲) key.	02	02 = keypad (selected)
Press the (STR) key.	A002	Stores parameter, returns to “A” Group list



NOTE: After completing the steps above, the Run Key Enable LED will be ON. This does not mean the motor is trying to run; it means that the RUN key is now enabled. **DO NOT** press the RUN key at this time—complete the parameter setup first.

Set the Motor Base Frequency - The motor is designed to operate at a specific AC frequency. Most commercial motors are designed for 50/60 Hz operation. First, check the motor specifications. Then follow the steps below to verify the setting or correct it for your motor. **DO NOT** set it greater than 50/60 Hz unless the motor manufacturer specifically approves operation at the higher frequency.

Action	Display	Func./Parameter
(Starting point)		Run command source setting
Press the  key once.		Base frequency setting
Press the  key.	 or 	Default value for base frequency. US = 60 Hz, Europe = 50 Hz.
Press the  or  key as needed.		Set to your motor specs (your display may be different)
Press the  key.		Stores parameter, returns to "A" Group list

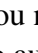



CAUTION: If you operate a motor at a frequency higher than the inverter standard default setting (50Hz/60Hz), be sure to check the motor and machine specifications with the respective manufacturer. Only operate the motor at elevated frequencies after getting their approval. Otherwise, there is the danger of equipment damage.

Set the AVR Voltage Setting - The inverter has an Automatic Voltage Regulation (AVR) function. It adjusts the output voltage to match the motor's nameplate voltage rating. The AVR smooths out fluctuations in the input power source, but note that it does not boost the voltage in the event of a brown-out. Use the AVR setting (A082) that most closely matches the one for your motor.

- 200V Class: 200 / 215 / 220 / 230 / 240 VAC
- 400V Class: 380 / 400 / 415 / 440 / 460 / 480 VAC



TIP: If you need to scroll through a function or parameter list, press and hold the  or  key to auto-increment through the list.

To set the motor voltage, follow the steps on the following page.

Action	Display	Func./Parameter
(Starting point)		Base frequency setting
Press the key and hold until-->		AVR voltage select
Press the key.	 or 	Default values for AVR voltage: 200V class = 230VAC 400V class = 400VAC (-xxxFE(F)) 400V class = 460VAC (-xxxFU)
Press the or key as needed.		Set to your motor specs (your display may be different)
Press the key.		Stores parameter, returns to "A" Group list

Set the Motor Current - The inverter has thermal overload protection that is designed to protect the inverter and motor from overheating due to an excessive load. The inverter's uses the motor's current rating to calculate the time-based heating effect. This protection depends on using the correct current rating for your motor. The level of electronic thermal setting, parameter B012, is adjustable from 20% to 120% of the inverter's rated current. A proper configuration will also help prevent unnecessary inverter trip events.

Read the motor's current rating on its manufacturer's nameplate. Then follow the steps below to configure the inverter's thermal overload protection setting.

Action	Display	Func./Parameter
(Starting point)		Base frequency setting
Press the key.		"A" Group selected
Press the key.		"B" Group selected
Press the key.		First "B" Group parameter selected
Press the key and hold until-->		Level of electronic thermal setting
Press the key.		Default value will be 100% of inverter rated current.
Press the or key as needed.		Set to your motor specs (your display may be different)
Press the key.		Stores parameter, returns to "B" Group list

Set the Number of Motor Poles - The motor's internal winding arrangement determines its number of magnetic poles. The specifications label on the motor usually indicates the number of poles. For proper operation, verify the parameter setting matches the motor poles. Many industrial motors have four poles, corresponding to the default setting in the inverter (H004).

Follow the steps in the table below to verify the motor poles setting and change it if necessary (the table resumes action from the end of the previous table).

Action	Display	Func./Parameter
(Starting point)		Level of electronic thermal setting
Press the key.		"B" Group selected
Press the key two times.		"H" Group selected
Press the key.		First "H" parameter
Press the key once.		Motor poles parameter
Press the key.		2 = 2 poles 4 = 4 poles (default) 6 = 6 poles 8 = 8 poles
Press the or key as needed.		Set to match your motor (your display may be different)
Press the key.		Stores parameter, returns to "H" Group list

This step concludes the parameter setups for the inverter. You are almost ready to run the motor for the first time!

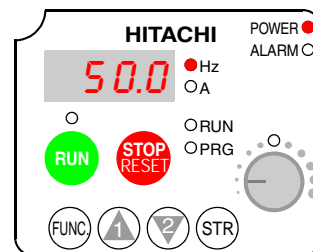


TIP: If you became lost during any of these steps, first observe the state of the PRG LED. Then study the "Keypad Navigational Map" on page 2-27 to determine the current state of the keypad controls and display. As long as you do not press the STR key, no parameters will be changed by keypad entry errors. Note that power cycling the inverter causes it to power up Monitor Mode, displaying the value for D001 (output frequency).

The next section will show you how to monitor a particular parameter from the display. Then you will be ready to run the motor.

Monitoring Parameters with the Display

After using the keypad for parameter editing, it's a good idea to switch the inverter from Program Mode to Monitor Mode. The PRG LED will be OFF, and the Hertz or Ampere LED indicates the display units.



For the powerup test, monitor the motor speed indirectly by viewing the inverter's output frequency. The *output frequency* must not be confused with *base frequency* (50/

60 Hz) of the motor, or the *carrier frequency* (switching frequency of the inverter, in the kHz range). The monitoring functions are in the "D" list, located near the top left of the "Keypad Navigational Map" on page 2-27.

Output frequency (speed) monitor - Resuming keypad operation from the previous table, follow the steps below. Or instead, you can simply power cycle the inverter, which automatically sets the display to D001 (output frequency value).

Action	Display	Func./Parameter
Press the key.		"H" Group selected
Press the key.		Output frequency selected
Press the key.		Output frequency displayed

When the inverter displays a monitor value, the PRG LED is OFF. This confirms the inverter is not in programming mode, even while you are selecting the particular monitoring parameter. The display shows the current speed (is zero at this point). The Hz LED will be ON, indicating the display units. For current, the Amperes LED will be ON.

Running the Motor

If you have programmed all the parameters up to this point, you're ready to run the motor! First, review this checklist:

1. Verify the Power LED is ON. If not, check the power connections.
2. Verify the Potentiometer Enable LED is ON. If it is OFF, check the A001 setting.
3. Verify the Run Key Enable LED is ON. If it is OFF, check the A002 setting.
4. Verify the PRG LED is OFF. If it is ON, review the instructions above.
5. Make sure the motor is disconnected from any mechanical load.
6. Turn the potentiometer to the minimum position (completely counter clock-wise).
7. Now, press the RUN key on the keypad. The RUN LED will turn ON.
8. Slowly increase the potentiometer setting in clockwise fashion. The motor should start turning.
9. Press the STOP key to stop the motor rotation.

Powerup Test Observations and Summary



Step 10: Reading this section will help you make some useful observations when first running the motor.

Error Codes - If the inverter displays an error code (format is “*EXX*”), see “Monitoring Trip Events, History, & Conditions” on page 6-5 to interpret and clear the error.

Acceleration and Deceleration - The SJ2002 inverter has programmable acceleration and deceleration values. The test procedure left these at the default value, 10 seconds. You can observe this by setting the potentiometer at about half speed before running the motor. Then press RUN, and the motor will take 5 seconds to reach a steady speed. Press the STOP key to see a 5 second deceleration to a stop.

State of Inverter at Stop - If you adjust the motor’s speed to zero, the motor will slow to a near stop, and the inverter turns the outputs OFF. The high-performance SJ2002 can rotate at a very slow speed with high torque output, but not zero (must use servo systems with position feedback for that feature). This characteristic means you must use a mechanical brake for some applications.

Interpreting the Display - First, refer to the output frequency display readout. The maximum frequency setting (parameter A004) defaults to 50 Hz or 60 Hz (Europe and United States, respectively) for your application.

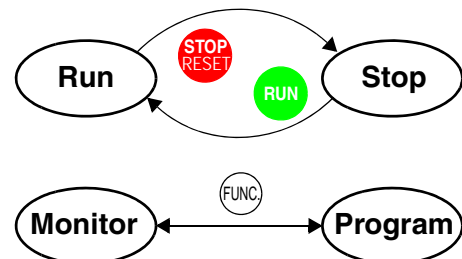
Example: Suppose a 4-pole motor is rated for 60 Hz operation, so the inverter is configured to output 60 Hz at full scale. Use the following formula to calculate the RPM.

$$\text{Speed in RPM} = \frac{\text{Frequency} \times 60}{\text{Pairs of poles}} = \frac{\text{Frequency} \times 120}{\text{\# of poles}} = \frac{60 \times 120}{4} = 1800\text{RPM}$$

The theoretical speed for the motor is 1800 RPM (speed of torque vector rotation). However, the motor cannot generate torque unless its shaft turns at a slightly different speed. This difference is called *slip*. So it’s common to see a rated speed of approximately 1750 RPM on a 60 Hz, 4-pole motor. Using a tachometer to measure shaft speed, you can see the difference between the inverter output frequency and the actual motor speed. The slip increases slightly as the motor’s load increases. This is why the inverter output value is called “frequency,” since it is not exactly equal to motor speed. You can program the inverter to display output frequency in units more directly related to the load speed by entering a constant (discussed more in depth on page 3-39).

Run/Stop Versus Monitor/Program Modes –

The Run LED on the inverter is ON in Run Mode, and OFF in Stop Mode. The Program LED is ON when the inverter is in Program Mode, and OFF for Monitor Mode. All four mode combinations are possible. The diagram to the right depicts the modes and the mode transitions via keypad.



NOTE: Some factory automation devices such as PLCs have alternate Run/Program modes; the device is in either one mode or the other. In the Hitachi inverter, however, Run Mode alternates with Stop Mode, and Program Mode alternates with Monitor Mode. This arrangement lets you program some values while the inverter is operating—providing flexibility for maintenance personnel.

Configuring Drive Parameters



3

In This Chapter....	page
— Choosing a Programming Device	2
— Using Keypad Devices	3
— “D” Group: Monitoring Functions	6
— “F” Group: Main Profile Parameters	8
— “A” Group: Standard Functions	9
— “B” Group: Fine Tuning Functions	32
— “C” Group: Intelligent Terminal Functions	45
— “H” Group: Motor Constants Functions	61
— “P” Group: Expansion Card Functions	62

Choosing a Programming Device

Introduction

Hitachi variable frequency drives (inverters) use the latest electronics technology for getting the right AC waveform to the motor at the right time. The benefits are many, including energy savings and higher machine output or productivity. The flexibility required to handle a broad range of applications has required ever more configurable options and parameters—inverters are now a complex industrial automation component. And this can make a product seem difficult to use, but the goal of this chapter is to make this easier for you.

As the powerup test in Chapter 2 demonstrated, you do not have to program very many parameters to run the motor. In fact, most applications would benefit only from programming just a few, specific parameters. This chapter will explain the purpose of each set of parameters, and help you choose the ones that are important to your application.

If you are developing a new application for the inverter and a motor, finding the right parameters to change is mostly an exercise in optimization. Therefore, it is okay to begin running the motor with a loosely tuned system. By making specific, individual changes and observing their effects, you can achieve a finely tuned system. And, the SJ2002 Series inverters feature intelligent sensorless vector control (iSLV) to eliminate the need for manually setting motor parameters, or even to do an auto-tuning procedure.

Introduction to Inverter Programming

The front panel keypad is the first and best way to get to know the inverter's capabilities. Every function or programmable parameter is accessible from the keypad. The other devices simply imitate the keypad's layout and inverter access, while adding another valuable aspect to the system. For example, the Digital Operator/Copy Unit can transfer one inverter's parameter settings to another inverter, while still providing standard operator keypad control. In this way, you can use a variety of programming devices with basically the same keypad skills. The following table shows various programming options, the features unique to each device, and the cables required.

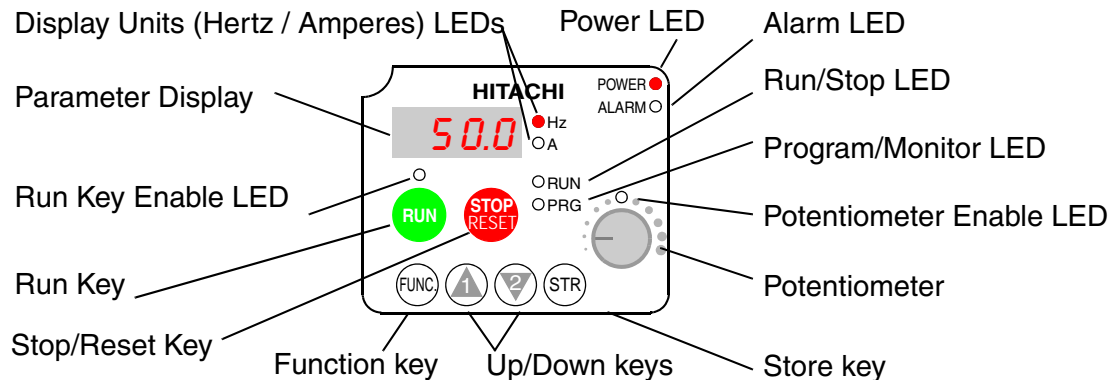
Device	Part Number	Parameter Access	Parameter setting storage	Cables (choose one)	
				Part number	Length
Inverter keypad, removable	OPE-SRmini	Monitor and program	EEPROM in inverter	ICS-1	1 meter
				ICS-3	3 meters
Digital Operator/Copy Unit	SRW-0EX	Monitor and program	Read Function downloads to EEPROM in operator unit	ICS-1	1 meter
				ICS-3	3 meters



NOTE: When using the SRW-0EX Copy Unit, you cannot copy parameters between SJ200 and SJ2002 series inverters, nor between SJ2002 and L2002 series inverters.

Using Keypad Devices

The SJ2002 Series inverter front keypad contains all the elements for both monitoring and programming parameters. The keypad layout is pictured below. All other programming devices for the inverter have a similar key arrangement and function.

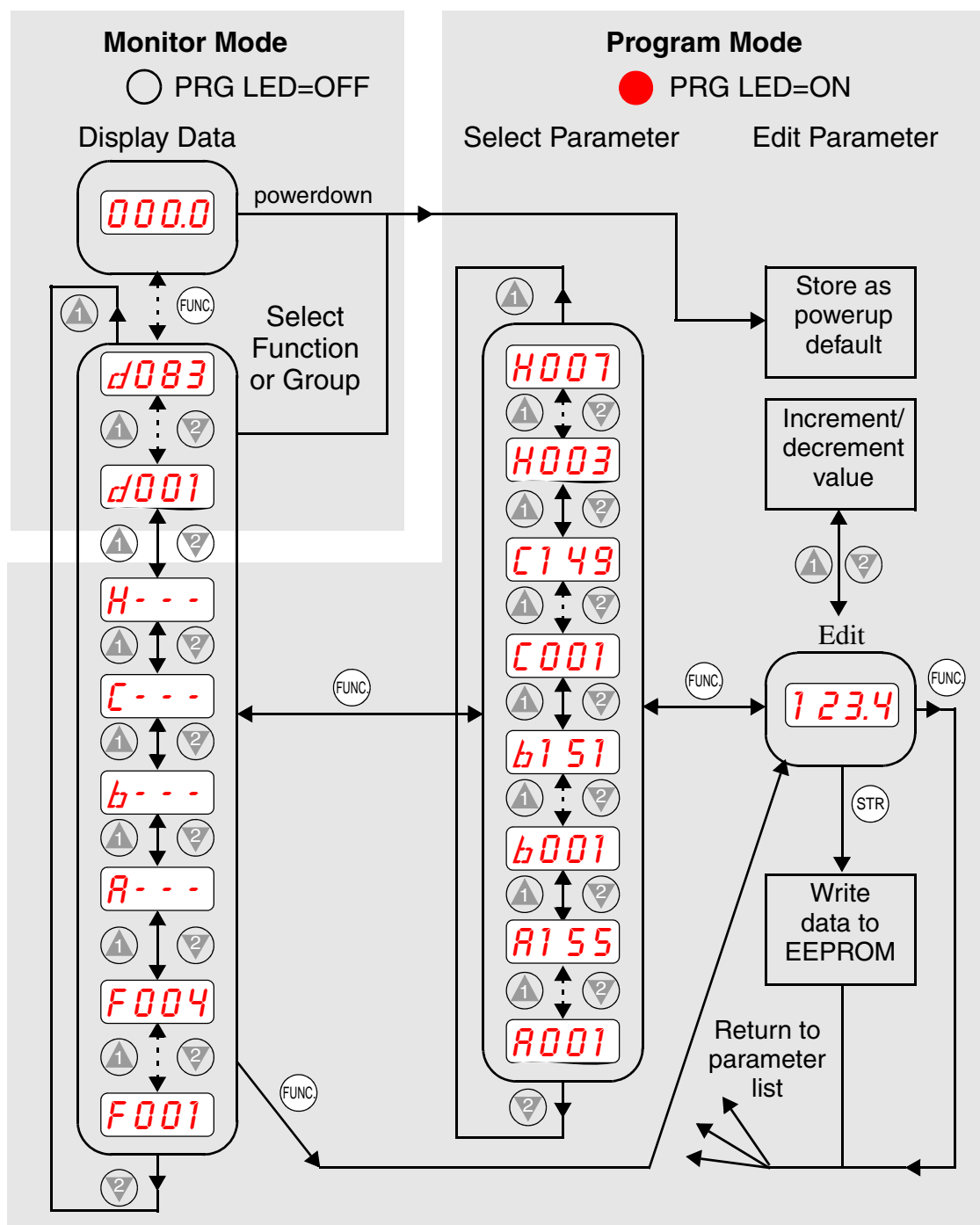


Key and Indicator Legend

- **Run/Stop LED** - ON when the inverter output is ON and the motor is developing torque (Run Mode), and OFF when the inverter output is OFF (Stop Mode).
- **Program/Monitor LED** - This LED is ON when the inverter is ready for parameter editing (Program Mode). It is OFF when the parameter display is monitoring data (Monitor Mode).
- **Run Key Enable LED** - is ON when the inverter is ready to respond to the Run key, OFF when the Run key is disabled.
- **Run Key** - Press this key to run the motor (the Run Enable LED must be ON first). Parameter F004, Keypad Run Key Routing, determines whether the Run key generates a Run FWD or Run REV command.
- **Stop/Reset Key** - Press this key to stop the motor when it is running (uses the programmed deceleration rate). This key will also reset an alarm that has tripped.
- **Potentiometer** - Allows an operator to directly set the motor speed when the potentiometer is enabled for output frequency control.
- **Potentiometer Enable LED** - ON when the potentiometer is enabled for value entry.
- **Parameter Display** - A 4-digit, 7-segment display for parameters and function codes.
- **Display Units, Hertz/Amperes** - One of these LEDs will be ON to indicate the units associated with the parameter display.
- **Power LED** - This LED is ON when the power input to the inverter is ON.
- **Alarm LED** - ON when an inverter trip is active (alarm relay contacts will be closed).
- **Function Key** - This key is used to navigate through the lists of parameters and functions for setting and monitoring parameter values.
- **Up/Down (\triangle , ∇) Keys** - Use these keys alternately to move up or down the lists of parameter and functions shown in the display, and increment/decrement values.
- **Store (STR) Key** - When the unit is in Program Mode and you have edited a parameter value, press the Store key to write the new value to the EEPROM.

Keypad Navigational Map

You can use the inverter’s front panel keypad to navigate to any parameter or function. The diagram below shows the basic navigational map to access these items.



Configuring Drive Parameters



NOTE: The inverter 7-segment display shows lower case “b” and “d,” meaning the same as the upper case letters “B” and “D” used in this manual (for uniformity “A to F”).

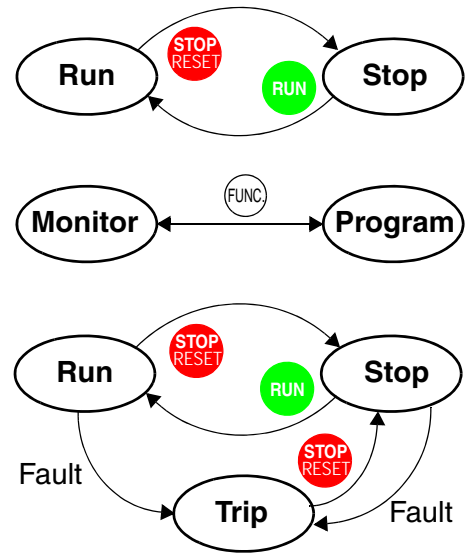


NOTE: The Store Key saves the edited parameter (shown in the display) to the inverter’s EEPROM. Upload or download of parameters to/from external devices is accomplished through a different command—do not confuse *Store* with *Download* or *Upload*.

Operational Modes

The RUN and PRG LEDs tell just part of the story; Run Mode and Program Modes are independent modes, not opposite modes. In the state diagram to the right, Run alternates with Stop, and Program Mode alternates with Monitor Mode. This is a very important ability, for it shows that a technician can approach a running machine and change some parameters without shutting down the machine.

The occurrence of a fault during operation will cause the inverter to enter the Trip Mode as shown. An event such as an output overload will cause the inverter to exit the Run Mode and turn OFF its output to the motor. In the Trip Mode, any request to run the motor is ignored. You must clear the error by pressing the Stop/Reset switch. See “Monitoring Trip Events, History, & Conditions” on page 6-5.



Run Mode Edits

The inverter can be in Run Mode (inverter output is controlling motor) and still allow you to edit certain parameters. This is useful in applications that must run continuously.

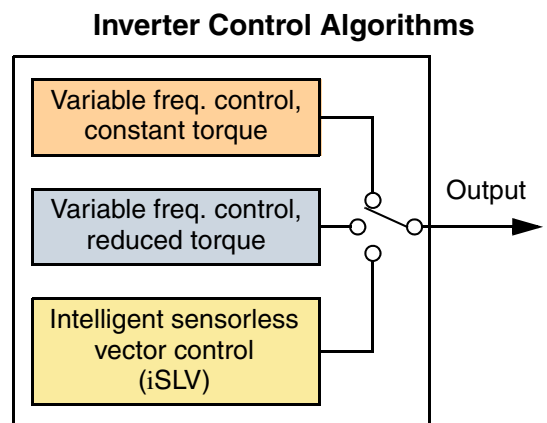
The parameter tables in this chapter have a column titled “Run Mode Edit.” An Ex mark ✘ means the parameter cannot be edited; a Check mark ✔ means the parameter can be edited. The table example to the right contains two adjacent marks “✘ ✔”. These two marks (that can also be “✘ ✘” or “✔ ✔”) correspond to low-access or high-access levels to Run Mode edits (note *Lo* and *Hi* in column heading).

	Run Mode Edit	
	Lo Hi	
	✘ ✔	

The Software Lock Setting (parameter B031) determines when Run Mode access is in effect and access permission in other conditions, as well. It is the responsibility of the user to choose a useful and safe software lock setting for the inverter operating conditions and personnel. Please refer to “Software Lock Mode” on page 3-37.

Control Algorithms

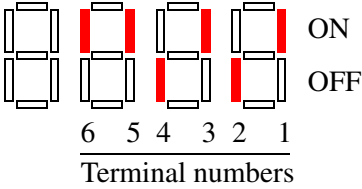
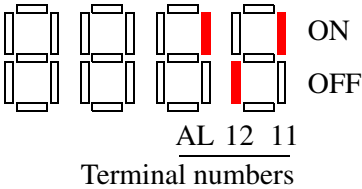
The motor control program in the SJ2002 inverter has three sinusoidal PWM switching algorithms. The intent is that you select the best algorithm for the motor characteristics in your application. Each algorithm generates the frequency output in a unique way. Once configured, the algorithm is the basis for other parameter settings as well (see “Torque Control Algorithms” on page 3-17). Therefore, choose the best algorithm early in your application design process.



“D” Group: Monitoring Functions

You can access important system parameter values with the “D” Group monitoring functions, whether the inverter is in Run Mode or Stop Mode. After selecting the function code number for the parameter you want to monitor, press the Function key once to show the value on the display. In functions D005 and D006, the intelligent terminals use individual segments of the display to show ON/OFF status.

If the inverter display is set to monitor a parameter and powerdown occurs, the inverter stores the present monitor function setting. For your convenience, the display automatically returns to the previously monitored parameter upon the next powerup.

“D” Function			Run Mode Edit	Units
Func. Code	Name / SRW Display	Description		
D001	Output frequency monitor	Real-time display of output frequency to motor, from 0.0 to 400.0 Hz	—	Hz
	FM 0000.00Hz			
D002	Output current monitor	Filtered display of output current to motor (100 ms internal filter time constant), range is 0 to 200% of inverter rated current	—	A
	Iout 0000.0A			
D003	Rotation direction monitor	Three different indications: “F”..... Forward “o” .. Stop “r”..... Reverse	—	—
	Dir STOP			
D004	Process variable (PV), PID feedback monitor	Displays the scaled PID process variable (feedback) value (A075 is scale factor), 0.00 to 99.99, 100.0 to 999.9, 1000. to 9999., 1000 to 999, and 10000 to 99900	—	% times constant
	FB 00000.00%			
D005	Intelligent input terminal status	Displays the state of the intelligent input terminals: 	—	—
	IN-TM LLLLLL			
D006	Intelligent output terminal status	Displays the state of the intelligent output terminals: 	—	—
	OUT-TM LLL			

“D” Function			Run Mode Edit	Units
Func. Code	Name / SRW Display	Description		
D007	Scaled output frequency monitor	Displays the output frequency scaled by the constant in B086. Decimal point indicates range: XX.XX 0.00 to 99.99 XXX.X 100.0 to 999.9 XXXX. 1000. to 9999. XXXX 1000 to 9999 (x10= 10000 to 99999)	—	Hz times constant
	F-Cnv 00000.00			
D013	Output voltage monitor	Voltage of output to motor, range is 0.0 to 600.0V	—	V
	Vout 00000V			
D016	Cumulative operation RUN time monitor	Displays total time the inverter has been in RUN mode in hours. Range is 0 to 9999 / 1000 to 9999 / Γ100 to Γ999 (10,000 to 99,900)	—	hours
	RUN 0000000hr			
D017	Cumulative power-on time monitor	Displays total time the inverter has been in RUN mode in hours. Range is 0 to 9999 / 1000 to 9999 / Γ100 to Γ999 (10,000 to 99,900)	—	hours
	ON 0000000hr			

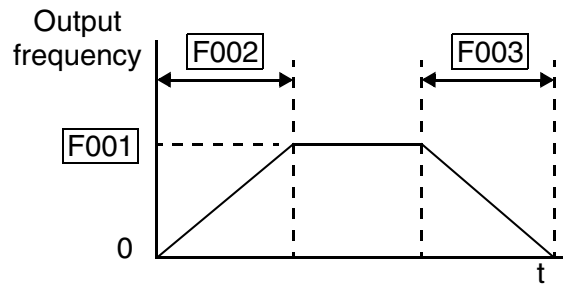
Trip Event and History Monitoring

The trip event and history monitoring feature lets you cycle through related information using the keypad. See “Monitoring Trip Events, History, & Conditions” on page 6-5 for more details.

“D” Function			Run Mode Edit	Units
Func. Code	Name / SRW Display	Description		
D080	Trip counter	Number of trip events, range is 0. to 9999	—	events
	ERR CNT 00000			
D081	Trip monitor 1	Displays trip event information: • Error code	—	—
	ERR 1 #####			
D082	Trip monitor 2	• Output freq. at trip point • Motor current at trip point	—	—
	ERR 2 #####			
D083	Trip monitor 3	• DC bus voltage at trip point • Cumulative inverter operation time at trip point • Cumulative power-ON time at trip point	—	—
	ERR 3 #####			

“F” Group: Main Profile Parameters

The basic frequency (speed) profile is defined by parameters contained in the “F” Group as shown to the right. The set running frequency is in Hz, but acceleration and deceleration are specified in the time duration of the ramp (from zero to maximum frequency, or from maximum frequency to zero). The motor direction



Run key produces a FWD or REV command. This parameter does not affect the intelligent terminal [FWD] and [REV] functions, which you configure separately.

Acceleration 1 and Deceleration 1 are the standard default accel and decel values for the main profile. Accel and decel values for an alternative profile are specified by using parameters Ax92 through Ax93. The motor direction selection (F004) determines the direction of rotation as commanded only from the keypad. This setting applies to any motor profile (1st or 2nd) in use at a particular time

“F” Function			Run Mode Edit Lo Hi	Defaults		Units
Func. Code	Name / SRW Display	Description		-FE(F) (EU)	-FU (USA)	
F001	Output frequency setting	Standard default target frequency that determines constant motor speed, range is 0.0 / start frequency to 400 Hz	✓ ✓	0.0	0.0	Hz
	VR 0000.0Hz					
F002	Acceleration (1) time setting	Standard default acceleration, range is 0.01 to 3000 sec.	✓ ✓	10.0	10.0	sec.
	ACC 1 010.00s					
F202	Acceleration (1) time setting, 2nd motor	Standard default acceleration, 2nd motor, range is 0.01 to 3000 sec.	✓ ✓	10.0	10.0	sec.
	2ACC1 010.00s					
F003	Deceleration (1) time setting	Standard default deceleration, range is 0.01 to 3000 sec.	✓ ✓	10.0	10.0	sec.
	DEC 1 010.00s					
F203	Deceleration (1) time setting, 2nd motor	Standard default deceleration, 2nd motor, range is 0.01 to 3000 sec.	✓ ✓	10.0	10.0	sec.
	2DEC1 010.00s					
F004	Keypad Run key routing	Two options; select codes: 00... Forward 01... Reverse	✗ ✗	00	00	—
	DIG-RUN FWD					

“A” Group: Standard Functions

Control Source Settings

The inverter provides flexibility in how you control Run/Stop operation and set the output frequency (motor speed). It has other control sources that can override the A001/A002 settings. Parameter A001 sets the source selection for the inverter’s output frequency. Parameter A002 selects the Run command source (for FW or RV Run commands). The default settings use the input terminals for –FE(F) (European) models, and the keypad for –FU (USA) models.

“A” Function			Run Mode Edit Lo Hi	Defaults		
Func. Code	Name / SRW Display	Description		–FE(F) (EU)	–FU (USA)	Units
A001	Frequency source setting	Five options; select codes: 00 .. Keypad potentiometer 01 .. Control terminal 02 .. Function F001 setting	X X	01	00	—
	F-COM VR					
A201	Frequency source setting, 2nd motor	03 .. ModBus network input 10 .. Calculate function output	X X	01	00	—
	2F-COM VR					
A002	Run command source setting	Three options; select codes: 01 .. Control terminal 02 .. Run key on keypad, or digital operator	X X	01	02	—
	OPE-Mode REM					
A202	Run command source setting, 2nd motor	03 .. ModBus network input	X X	01	02	—
	2OPE-Mode REM					

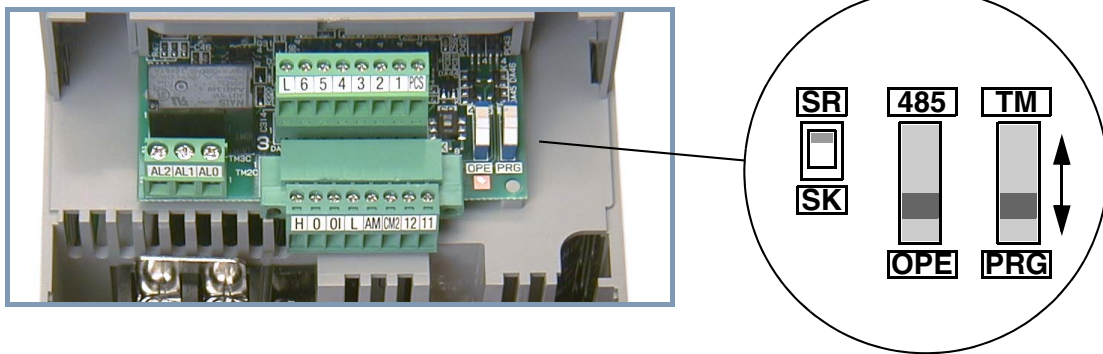
Frequency Source Setting - For parameter A001, the following table provides a further description of each option, and a reference to other page(s) for more information.

Code	Frequency Source	Refer to page(s)...
00	Keypad potentiometer - The range of rotation of the knob matches the range defined by B082 (Start frequency adjustment) to A004 (Maximum frequency setting)	2-25
01	Control terminal - The active analog input signal on analog terminals [O] or [OI] sets the output frequency	4-54, 3-13, 3-57
02	Function F001 setting - The value in F001 is a constant, used for the output frequency	3-8
03	ModBus network input - The network has a dedicated register for inverter output frequency	B-19
10	Calculate function output - The Calculate function has user-selectable analog input sources (A and B). The output can be the sum, difference, or product (+, -, x) of the two outputs.	3-29

Run Command Source Setting - For parameter A002, the following table provides a further description of each option, and a reference to other page(s) for more information

Code	Run Command Source	Refer to page(s)...
01	Control terminal - The [FW] or [RV] input terminals control Run/Stop operation	4-12, 3-47
02	Keypad Run key - The Run and Stop keys provide control	2-25
03	ModBus network input - The network has a dedicated coil for Run/ Stop command and a coil for FW/RV	B-19

A001/A002 Override Sources - The inverter allows some sources to override the settings for output frequency and the Run command in A001 and A002. This provides flexibility for applications that occasionally need to use a different source, leaving the standard settings in A001/A002. In particular, note the TM/PRG (Terminal/Program) DIP switch behind the front panel cover shown below. It is the switch to the right.



The TM/PRG switch setting forces terminal operation, according to the table below:

TM/PRG Switch Position	Item	Source
PRG (Program)	Output frequency source	Specified by A001 setting
	Run command source	Specified by A002 setting
TM (Terminal)	Output frequency source	[O] or [OI] analog input terminal
	Run command source	[FW] and/or [RV] input terminals

When A001 = 01 and A002 = 01, the inverter control source is the terminals, regardless of the TM/PRG switch position. When A001 and A002 setting is not 01, then the TM/PRG switch can force terminal input control.

The inverter has other control sources that can temporarily override the parameter A001 setting, forcing a different output frequency source. The following table lists all frequency source setting methods and their relative priority (“1” is the highest priority).

Priority	A001 Frequency Source Setting Method	Refer to page...
1	[CF1] to [CF4] Multi-speed terminals	4-13
2	[OPE] Operator Control intelligent input	4-32
3	[F-TM] intelligent input	4-34
4	[AT] terminal	4-24
5	TM/PRG DIP Switch - (if switch is in “TM” position)	3-10
6	A001 Frequency source setting	3-9

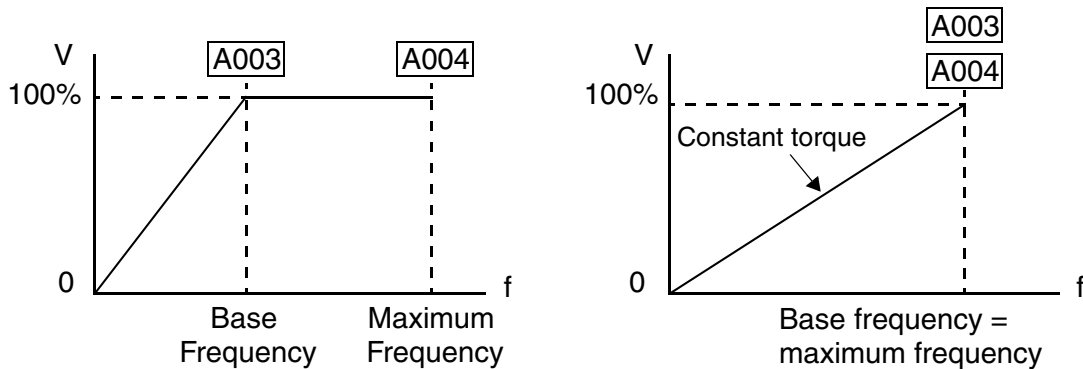
The inverter also has other control sources that can temporarily override the parameter A002 setting, forcing a different Run command source. The following table lists all Run command setting methods and their relative priority (“1” is the highest priority).

Priority	A002 Run Command Setting Method	Refer to page...
1	[OPE] Operator Control intelligent input	4-32
2	[F-TM] intelligent input	4-34
3	TM/PRG DIP Switch - (if switch is in “TM” position)	3-10
4	A002 Run command source setting	3-9

Basic Parameter Settings

These settings affect the most fundamental behavior of the inverter—the outputs to the motor. The frequency of the inverter’s AC output determines the motor speed. You may select from three different sources for the reference speed. During application development you may prefer using the potentiometer, but you may switch to an external source (control terminal setting) in the finished application, for example.

The base frequency and maximum frequency settings interact according to the graph below (left). The inverter output operation follows the constant V/f curve until it reaches the full-scale output voltage at the base frequency. This initial straight line is the constant-torque part of the operating characteristic. The horizontal line over to the maximum frequency serves to let the motor run faster, but at a reduced torque. This is the constant-power operating range. If you want the motor to output constant torque over its entire operating range (limited to the motor nameplate voltage and frequency rating), then set the base frequency and maximum frequency equal as shown (below right).



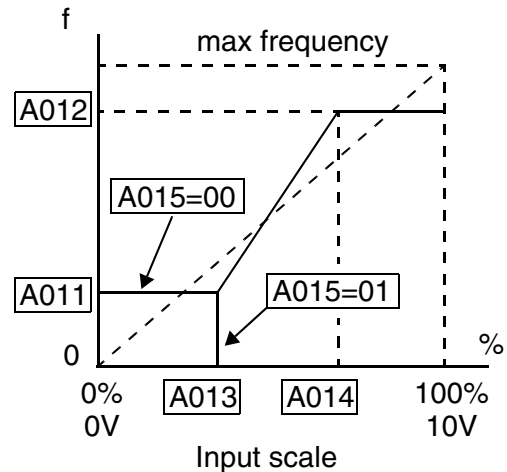
NOTE: The “2nd motor” settings in the tables in this chapter store an alternate set of parameters for a second motor. The inverter can use the 1st set or 2nd set of parameters to generate the output frequency to the motor. See “Configuring the Inverter for Multiple Motors” on page 4-59.

“A” Function			Run Mode Edit	Defaults		
Func. Code	Name / SRW Display	Description		-FE(F) (EU)	-FU (USA)	Units
A003	Base frequency setting	Settable from 30 Hz to the maximum frequency	XX	50.0	60.0	Hz
	F-BASE 00060Hz					
A203	Base frequency setting, 2nd motor	Settable from 30 Hz to the 2nd maximum frequency	XX	50.0	60.0	Hz
	2F-BASE 00060Hz					
A004	Maximum frequency setting	Settable from the base frequency up to 400 Hz	XX	50.0	60.0	Hz
	F-MAX 00060Hz					
A204	Maximum frequency setting, 2nd motor	Settable from the 2nd base frequency up to 400 Hz	XX	50.0	60.0	Hz
	2F-MAX 00060Hz					

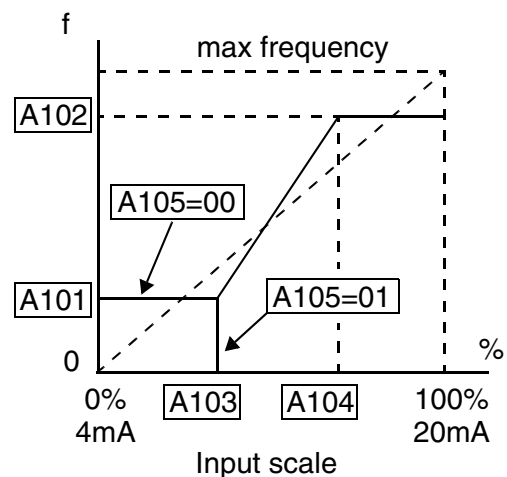
Analog Input Settings

The inverter has the capability to accept an external analog input that can command the output frequency to the motor. Voltage input (0–10V) and current input (4–20mA) are available on separate terminals ([O] and [OI], respectively). Terminal [L] serves as signal ground for the two analog inputs. The analog input settings adjust the curve characteristics between the analog input and the frequency output.

Adjusting [O–L] characteristics – In the graph to the right, A013 and A014 select the active portion of the input voltage range. Parameters A011 and A012 select the start and end frequency of the converted output frequency range, respectively. Together, these four parameters define the major line segment as shown. When the line does not begin at the origin (A011 and A013 > 0), then A015 defines whether the inverter outputs 0Hz or the A011-specified frequency when the analog input value is less than the A013 setting. When the input voltage is greater than the A014 ending value, the inverter outputs the ending frequency specified by A012.



Adjusting [OI–L] characteristics – In the graph to the right, A103 and A104 select the active portion of the input current range. Parameters A101 and A102 select the start and end frequency of the converted output frequency range, respectively. Together, these four parameters define the major line segment as shown. When the line does not begin at the origin (A101 and A103 > 0), then A105 defines whether the inverter outputs 0Hz or the A101-specified frequency when the analog input value is less than the A103 setting. When the input current is greater than the A104 ending value, the inverter outputs the ending frequency specified by A102.



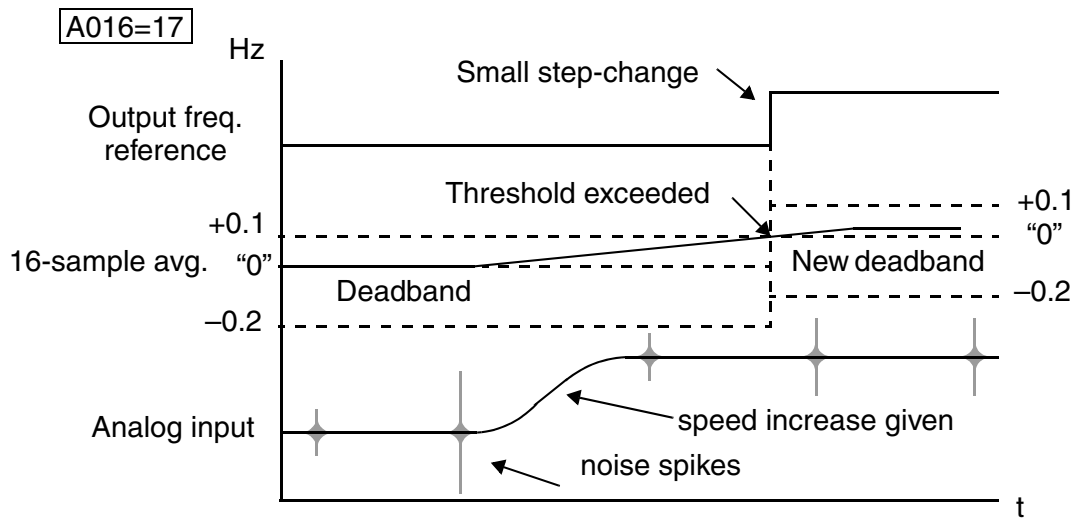
NOTE: For SJ2002 series inverters, parameters A011 to A015 affect only the O–L input range. For the original SJ200 series inverters, the both the O–L analog input and the keypad potentiometer are affected.

“A” Function			Run Mode Edit Lo Hi	Defaults		
Func. Code	Name / SRW Display	Description		-FE(F) (EU)	-FU (USA)	Units
A005	[AT] selection	Four options, select codes: 00... Select between [O] and [OI] at [AT] 01... [O] + [OI] ([AT] input is ignored) 02... Select between [O] and keypad potentiometer 03... Select between [OI] and keypad potentiometer	X ✓	00	00	Hz
	AT-Slct O/OI					
A011	O-L input active range start frequency	The output frequency corresponding to the analog input range starting point, range is 0.0 to 400.0	X ✓	0.0	0.0	Hz
	O-EXS 0000.0Hz					
A012	O-L input active range end frequency	The output frequency corresponding to the analog input range ending point, range is 0.0 to 400.0	X ✓	0.0	0.0	Hz
	O-EXE 0000.0Hz					
A013	O-L input active range start voltage	The starting point (offset) for the active analog input range, range is 0. to 100.	X ✓	0.	0.	%
	O-EX%S 00000%					
A014	O-L input active range end voltage	The ending point (offset) for the active analog input range, range is 0. to 100.	X ✓	100.	100.	%
	O-EX%E 00100%					
A015	O-L input start frequency enable	Two options; select codes: 00... Use offset (A011 value) 01... Use 0 Hz	X ✓	01	01	—
	O-LVL 0Hz					
A016	External frequency filter time constant	One range plus one setting: 01 to 16... Moving average, where n=1 to 16 (number of samples for average) 17... Use 16-sample average, plus deadband +0.1/-0.2Hz.	X ✓	2.	8.	Sam- ples
	F-SAMP 00008					

A016: External Frequency Filter Time Constant – This filter smooths the analog input signal for the inverter’s output frequency reference.

- A016 sets the filter range n=1 to 16. This is a simple moving average calculation, where n (number of samples) is variable.
- A016 = 17 is a special value. It configures the inverter to use a moveable deadband feature. Initially the inverter uses the average of the previous 16 samples. Then, the deadband is employed for each subsequent average of 16 samples. The deadband works by ignoring small fluctuations in each new average: less than +0.1Hz or -0.2Hz change. When a 16-sample average exceeds this deadband, then the inverter applies that average to the output frequency reference, and it also becomes the new deadband comparison point for subsequent sample averages.

The example graph below shows a typical analog input waveform. The filter removes the noise spikes. When a speed change (such as level increase) occurs, the filter naturally has a delayed response. Due to the deadband feature (A016=17), the final output changes only when the 16-sample average moves past the deadband threshold.



TIP: The deadband feature is useful in applications that require a very stable output frequency but use an analog input for the speed reference. Example application: A grinding machine uses a remote potentiometer for operator speed input. After a setting change, the grinder maintains a very stable speed to deliver a uniform finished surface.

Multi-speed and Jog Frequency Setting

The SJ2002 inverter has the capability to store and output up to 16 preset frequencies to the motor (A020 to A035). As in traditional motion terminology, we call this *multi-speed profile* capability. These preset frequencies are selected by means of digital inputs to the inverter. The inverter applies the current acceleration or deceleration setting to change from the current output frequency to the new one. The first multi-speed setting is duplicated for the second motor settings (the remaining 15 multi-speeds apply only to the first motor).

The jog speed setting is used whenever the Jog command is active. The jog speed setting range is arbitrarily limited to 10 Hz, to provide safety during manual operation. The acceleration to the jog frequency is instantaneous, but you can choose from three modes for the best method for stopping the jog operation.

"A" Function			Run Mode Edit Lo Hi	Defaults		Units
Func. Code	Name / SRW Display	Description		-FE(F) (EU)	-FU (USA)	
A020	Multi-speed frequency setting	Defines the first speed of a multi-speed profile, range is 0.0 / start frequency to 400 Hz A020 = Speed 0 (1st motor)	✓ ✓	0.0	0.0	Hz
	SPD 00s 0000.0Hz					
A220	Multi-speed frequency setting, 2nd motor	Defines the first speed of a multi-speed profile for 2nd motor, range is 0.0 / start frequency to 400 Hz A220 = Speed 0 (2nd motor)	✓ ✓	0.0	0.0	Hz
	2SPD00s 0000.0Hz					
A021 to A035	Multi-speed frequency settings (for both motors)	Defines 15 more speeds, range is 0.0 / start frequency to 400 Hz. A021= Speed 1... A035 = Speed 15	✓ ✓	see next row	see next row	Hz
	SPD 01s 000.0Hz	A021		0.0	0.0	
	SPD 02s 000.0Hz	A022		0.0	0.0	
	SPD 03s 000.0Hz	A023		0.0	0.0	
	SPD 04s 000.0Hz	A024		0.0	0.0	
	SPD 05s 000.0Hz	A025		0.0	0.0	
	SPD 06s 000.0Hz	A026		0.0	0.0	
	SPD 07s 000.0Hz	A027		0.0	0.0	
	SPD 08s 000.0Hz	A028		0.0	0.0	
	SPD 09s 000.0Hz	A029		0.0	0.0	
	SPD 10s 000.0Hz	A030		0.0	0.0	
	SPD 11s 000.0Hz	A031		0.0	0.0	
	SPD 12s 000.0Hz	A032		0.0	0.0	
	SPD 13s 000.0Hz	A033		0.0	0.0	
	SPD 14s 000.0Hz	A034		0.0	0.0	
	SPD 15s 000.0Hz	A035		0.0	0.0	
A038	Jog frequency setting	Defines limited speed for jog, range is 0.00 / start frequency to 9.99 Hz	✓ ✓	1.00	1.00	Hz
	Jog-F 001.00Hz					
A039	Jog stop mode	Define how end of jog stops the motor; three options: 00... Free-run stop 01... Controlled deceleration 02... DC braking to stop	✗ ✓	00	00	—
	Jog-Mode FRS					



NOTE: When setting function A039 = 01, the actual jogging deceleration time depends on the standard Deceleration Time Setting F003/F203.

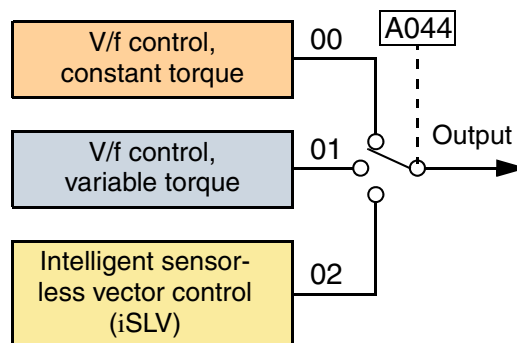
Torque Control Algorithms

The inverter generates the motor output according to the V/f algorithm or the intelligent sensorless vector control algorithm. Parameter A044 selects the inverter algorithm for generating the frequency output, as shown in the diagram to the right (A244 for 2nd motor). The factory default is 02 (intelligent sensorless vector control).

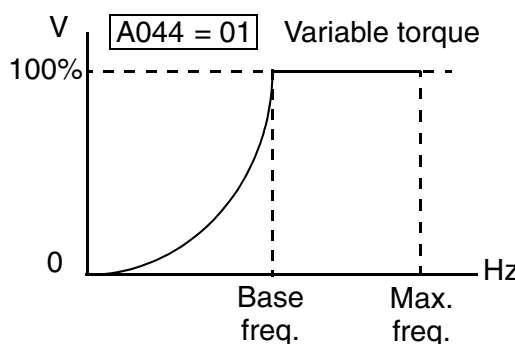
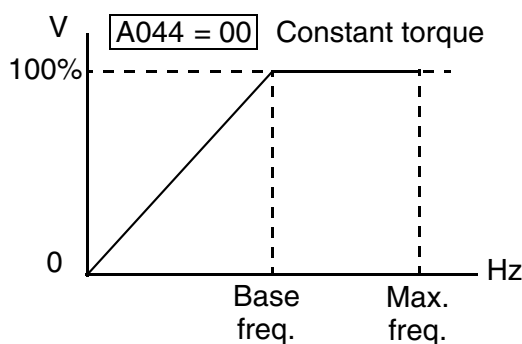
Review the following descriptions to help you choose the best torque control algorithm for your application.

- The built-in V/f curves are oriented toward developing constant torque or variable torque characteristics (see graphs below).
- Intelligent sensorless vector control (iSLV) calculates an ideal torque vector based on current motor position, winding currents, and so on. It is a more robust and precise control method than the V/f control methods. Using the iSLV mode, the inverter automatically adapts to the electrical characteristics of your motor.

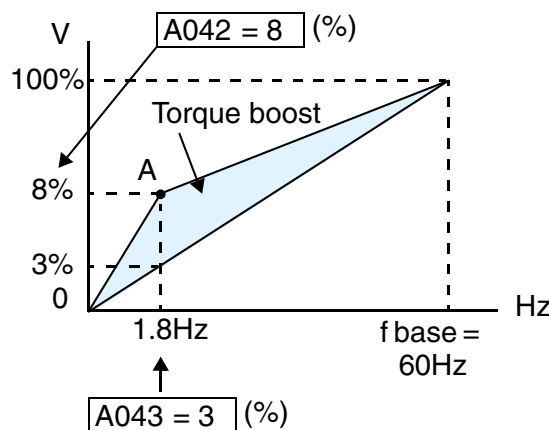
Inverter Torque Control Algorithms



Constant and Variable (Reduced) Torque – The graph below (left) shows the constant torque characteristic from 0Hz to the base frequency A003. The voltage remains constant for output frequencies higher than the base frequency. The graph below (right) shows the general variable (reduced) torque curve. The range from 0Hz to the base frequency is the variable characteristic.



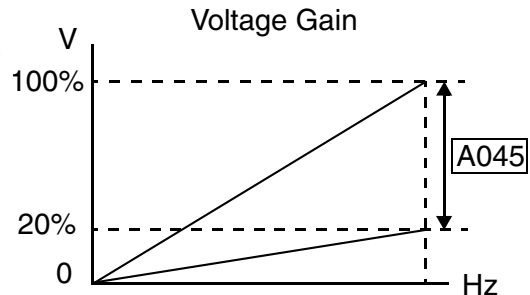
Manual Torque Boost – The Constant and Variable Torque algorithms feature an adjustable *torque boost* curve. When the motor load has a lot of inertia or starting friction, you may need to increase the low frequency starting torque characteristics by boosting the voltage above the normal V/f ratio (shown at right). The function attempts to compensate for voltage drop in the motor primary winding in the low speed range. The boost is applied from zero to 1/2 the base frequency. You set the



breakpoint of the boost (point A on the graph) by using parameters A042 and A043. The manual boost is calculated as an addition to the standard V/f curve.

Be aware that running the motor at a low speed for a long time can cause motor overheating. This is particularly true when manual torque boost is ON, or if the motor relies on a built-in fan for cooling.

Voltage Gain – Using parameter A045 you can modify the voltage gain of the inverter (see graph at right). This is specified as a percentage of the full scale output voltage. The gain can be set from 20% to 100%. It should be adjusted in accordance with the motor specifications.



Intelligent Sensorless Vector Control (iSLV) – This advanced torque control algorithm improves torque performance at very low speeds—down to 0.5 Hz, as well as improve regulation across the speed range. Set parameter A044=02 to select iSLV operation. The iSLV algorithm automatically matches the characteristics of the particular motor connected to your inverter. Auto-tuning is not required. The iSLV control includes voltage compensation (A046) and slip compensation (A047).



NOTE: You must disable intelligent sensorless vector operation when two or more motors are connected (parallel operation) to the inverter.



NOTE: If the inverter experiences over-current trips during deceleration, set AVR Function Select (parameter A081) to “AVR enabled” (A081 = 00).

The following table shows the methods of torque control selection.

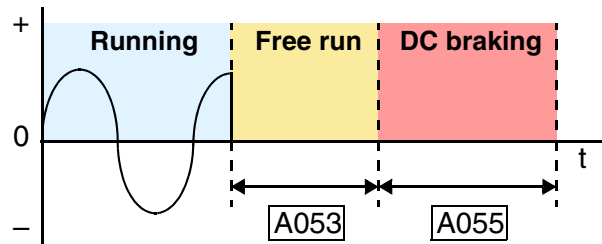
"A" Function			Run Mode Edit Lo Hi	Defaults		
Func. Code	Name / SRW Display	Description		-FE(F) (EU)	-FU (USA)	Units
A042	Manual torque boost value	Can boost starting torque between 0 and 20% above normal V/f curve, range is 0.0 to 20.0%	✓ ✓	5.0	0.0	%
	V-Bst V 0005.0%					
A242	Manual torque boost value, 2nd motor	Can boost starting torque between 0 and 20% above normal V/f curve, range is 0.0 to 20.0%	✓ ✓	0.0	0.0	%
	2VBst V 0000.0%					
A043	Manual torque boost frequency adjustment	Sets the frequency of the V/f breakpoint A in graph (top of previous page) for torque boost, range is 0.0 to 50.0%	✓ ✓	3.0	3.0	%
	M-Bst F 0003.0%					

"A" Function			Run Mode Edit Lo Hi	Defaults		
Func. Code	Name / SRW Display	Description		-FE(F) (EU)	-FU (USA)	Units
A243	Manual torque boost frequency adjustment, 2nd motor	Sets the frequency of the V/f breakpoint A in graph (top of previous page) for torque boost, range is 0.0 to 50.0%	✓ ✓	0.0	0.0	%
	2MBst F 0000.0%					
A044	V/f characteristic curve selection	Two available V/f curves; three select codes: 00 .. Constant torque 01 .. Reduced torque 02 .. Intelligent sensorless vector control (iSLV)	✗ ✗	02	02	—
	CTRL I-SLV					
A244	V/f characteristic curve selection, 2nd motor	Two available V/f curves; three select codes: 00 .. Constant torque 01 .. Reduced torque 02 .. Intelligent sensorless vector control (iSLV)	✗ ✗	02	02	—
	2CTRL I-SLV					
A045	V/f gain setting	Sets voltage gain of the inverter, range is 20. to 100.%	✓ ✓	100.	100.	%
	V-Gain 00100%					
A245	V/f gain setting, 2nd motor	Sets voltage gain of the inverter, range is 20. to 100.%	✓ ✓	100.	100.	%
	2V-Gain 00100%					
A046	Automatic torque boost voltage gain	Sets torque boost voltage gain of the inverter, range is 0 to 255	✓ ✓	100	100	—
	A-Bst V 0100%					
A246	Automatic torque boost voltage gain, 2nd motor	Sets torque boost voltage gain of the inverter, range is 0 to 255	✓ ✓	100	100	—
	2ABst V 0100%					
A047	Automatic torque boost slip gain	Sets torque boost slip gain of the inverter, range is 0 to 255	✓ ✓	100	100	—
	A-Bst S1 00100%					
A247	Automatic torque boost slip gain, 2nd motor	Sets torque boost slip gain of the inverter, range is 0 to 255	✓ ✓	100	100	—
	2ABst S1 00100%					

DC Braking Settings

The DC braking feature can provide additional stopping torque when compared to a normal deceleration to a stop. DC braking is particularly useful at low speeds when normal deceleration torque is minimal. When you enable DC braking, the inverter injects a DC voltage into the motor windings

during deceleration below a frequency you can specify (A052). The braking power (A054) and duration (A055) can both be set. You can optionally specify a wait time before DC braking (A053), during which the motor will free run (coast).

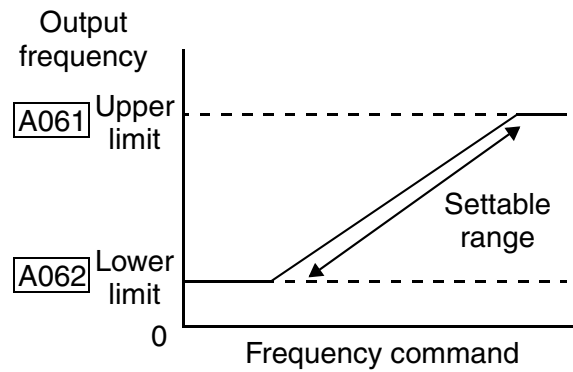


CAUTION: Be careful to avoid specifying a braking time that is long enough to cause motor overheating. If you use DC braking, we recommend using a motor with a built-in thermistor, and wiring it to the inverter’s thermistor input (see “Thermistor Thermal Protection” on page 4-26). Also refer to the motor manufacturer’s specifications for duty-cycle recommendations during DC braking.

“A” Function			Run Mode Edit Lo Hi	Defaults		
Func. Code	Name / SRW Display	Description		-FE(F) (EU)	-FU (USA)	Units
A051	DC braking enable	Two options; select codes: 00... Disable 01... Enable	X ✓	00	00	—
	DCB Mode OFF					
A052	DC braking frequency setting	The frequency at which DC braking begins 00... DC braking only works with [DB] terminal input. Range is 0.0 to 60.0 Hz	X ✓	0.5	0.5	Hz
	DCB F 0000.5Hz					
A053	DC braking wait time	The delay from the end of controlled deceleration to start of DC braking (motor free runs until DC braking begins), range is 0.0 to 5.0 sec.	X ✓	0.0	0.0	sec.
	DCB Wait 0000.0s					
A054	DC braking force for deceleration	Level of DC braking force, settable from 0 to 100%	X ✓	0.	0.	%
	DCB V 00000%					
A055	DC braking time for deceleration	Sets the duration for DC braking, range is 0.0 to 60.0 seconds	X ✓	0.0	0.0	sec.
	DCB T 0000.0s					
A056	DC braking / edge or level detection for [DB] input	Two options; select codes: 00... Edge detection 01... Level detection	X ✓	01	01	—
	DCB KIND LEVEL					

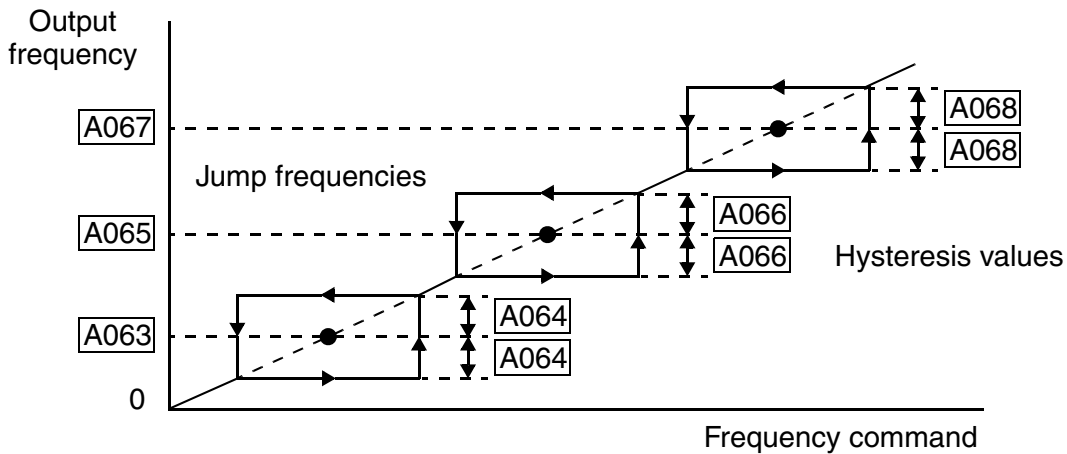
Frequency-related Functions

Frequency Limits – Upper and lower limits can be imposed on the inverter output frequency. These limits will apply regardless of the source of the speed reference. You can configure the lower frequency limit to be greater than zero as shown in the graph. The upper limit must not exceed the rating of the motor or capability of the machinery. The maximum frequency setting (A004/A204) takes precedence over frequency upper limit (A061/A261).



“A” Function			Run Mode Edit Lo Hi	Defaults		Units
Func. Code	Name / SRW Display	Description		-FE(F) (EU)	-FU (USA)	
A061	Frequency upper limit setting	Sets a limit on output frequency less than the maximum frequency (A004). Range is from frequency lower limit (A062) to maximum frequency (A004). 0.0 . setting is disabled >0.1 setting is enabled	X ✓	0.0	0.0	Hz
	Lim H 0000.0Hz					
A261	Frequency upper limit setting, 2nd motor	Sets a limit on output frequency less than the maximum frequency (A004). Range is from frequency lower limit (A262) to maximum frequency (A204). 0.0 . setting is disabled >0.1 setting is enabled	X ✓	0.0	0.0	Hz
	2Lim H 0000.0Hz					
A062	Frequency lower limit setting	Sets a limit on output frequency greater than zero. Range is start frequency (B082) to frequency upper limit (A061). 0.0 . setting is disabled >0.1 setting is enabled	X ✓	0.0	0.0	Hz
	Lim L 0000.0Hz					
A262	Frequency lower limit setting, 2nd motor	Sets a limit on output frequency greater than zero. Range is start frequency (B082) to frequency upper limit (A261). 0.0 . setting is disabled >0.1 setting is enabled	X ✓	0.0	0.0	Hz
	2Lim L 0000.0Hz					

Jump Frequencies – Some motors or machines exhibit resonances at particular speed(s), which can be destructive for prolonged running at those speeds. The inverter has up to three *jump frequencies* as shown in the graph. The hysteresis around the jump frequencies causes the inverter output to skip around the sensitive frequency values.



"A" Function			Run Mode Edit	Defaults		
Func. Code	Name / SRW Display	Description		-FE(F) (EU)	-FU (USA)	Units
A063, A065, A067	Jump (center) frequency setting JUMP F1 0000.0Hz JUMP F2 0000.0Hz JUMP F3 0000.0Hz	Up to 3 output frequencies can be defined for the output to jump past to avoid motor resonances (center frequency) Range is 0.0 to 400.0 Hz	X ✓	0.0 0.0 0.0	0.0 0.0 0.0	Hz
A064, A066, A068	Jump (hysteresis) frequency width setting JUMP W1 0000.5Hz JUMP W2 0000.5Hz JUMP W3 0000.5Hz	Defines the distance from the center frequency at which the jump around occurs Range is 0.0 to 10.0 Hz	X ✓	0.5 0.5 0.5	0.5 0.5 0.5	Hz

PID Control

When enabled, the built-in PID loop calculates an ideal inverter output value to cause a loop feedback process variable (PV) to move closer in value to the setpoint (SP). The frequency command serves as the SP. The PID loop algorithm will read the analog input for the process variable (you specify the current or voltage input) and calculate the output.

- A scale factor in A075 lets you multiply the PV by a factor, converting it into engineering units for the process.
- Proportional, integral, and derivative gains are all adjustable.
- See “PID Loop Operation” on page 4-57 for more information.

“A” Function			Run Mode Edit Lo Hi	Defaults		
Func. Code	Name / SRW Display	Description		-FE(F) (EU)	-FU (USA)	Units
A071	PID Enable	Enables PID function, two option codes: 00 .. PID Disable 01 .. PID Enable	X ✓	00	00	—
	PID Mode OFF					
A072	PID proportional gain	Proportional gain has a range of 0.2 to 5.0	✓ ✓	1.0	1.0	—
	PID P 0001.0					
A073	PID integral time constant	Integral time constant has a range of 0.0 to 150 seconds	✓ ✓	1.0	1.0	sec.
	PID I 0001.0s					
A074	PID derivative time constant	Derivative time constant has a range of 0.0 to 100 seconds	✓ ✓	0.0	0.0	sec.
	PID D 000.00s					
A075	PV scale conversion	Process Variable (PV) scale factor (multiplier), range of 0.01 to 99.99	X ✓	1.00	1.00	—
	PID Cnv 001.00%					
A076	PV source setting	Selects source of Process Variable (PV), option codes: 00 .. [OI] terminal (current in) 01 .. [O] terminal (voltage in) 02 .. ModBus network 03 .. Calculate function output	X ✓	00	00	—
	PID INP OI					
A077	Reverse PID action	Two option codes: 00 .. PID input = SP – PV 01 .. PID input = -(SP – PV)	X ✓	00	00	—
	PID MINUS OFF					
A078	PID output limit	Sets the limit of PID output as percent of full scale, range is 0.0 to 100.0%	X ✓	0.0	0.0	%
	PID Vari 0000.0%					



NOTE: The setting A073 for the integrator is the integrator’s time constant T_i , not the gain. The integrator gain $K_i = 1/T_i$. When you set A073 = 0, the integrator is disabled.

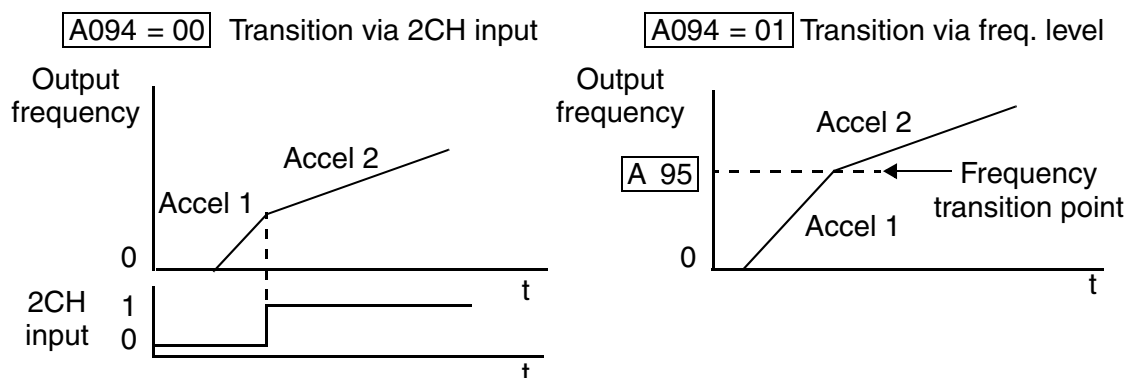
Automatic Voltage Regulation (AVR) Function

The automatic voltage regulation (AVR) feature keeps the inverter output waveform at a relatively constant amplitude during power input fluctuations. This can be useful if the installation is subject to input voltage fluctuations. However, the inverter cannot boost its motor output to a voltage higher than the power input voltage. If you enable this feature, be sure to select the proper voltage class setting for your motor.

“A” Function			Run Mode Edit Lo Hi	Defaults		
Func. Code	Name / SRW Display	Description		-FE(F) (EU)	-FU (USA)	Units
A081	AVR function select	Automatic (output) voltage regulation, selects from three type of AVR functions, three option codes: 00... AVR enabled 01... AVR disabled 02... AVR enabled except during deceleration	X X	00	00	—
	AVR Mode ON					
A082	AVR voltage select	200V class inverter settings: 200/215/220/230/240 400V class inverter settings: 380/400/415/440/460/480	X X	230/ 400	230/ 460	V
	AVR AC 00230V					

Second Acceleration and Deceleration Functions

The SJ2002 inverter features two-stage acceleration and deceleration ramps. This gives flexibility in the profile shape. You can specify the frequency transition point, the point at which the standard acceleration (F002) or deceleration (F003) changes to the second acceleration (A092) or deceleration (A093). Or, you can use intelligent input [2CH] to trigger this transition. These profile options are also available for the second motor settings. Select a transition method via A094 as depicted below. Be careful not to confuse the *second acceleration/deceleration settings* with settings for the *second motor*!



"A" Function			Run Mode Edit Lo Hi	Defaults		
Func. Code	Name / SRW Display	Description		-FE(F) (EU)	-FU (USA)	Units
A092	Acceleration (2) time setting	Duration of 2nd segment of acceleration, range is: 0.01 to 3000 sec.	✓ ✓	15.00	15.00	sec.
	ACC 2 0015.00s					
A292	Acceleration (2) time setting, (2nd motor)	Duration of 2nd segment of acceleration, 2nd motor, range is: 0.01 to 3000 sec.	✓ ✓	15.00	15.00	sec.
	2ACC2 015.00s					
A093	Deceleration (2) time setting	Duration of 2nd segment of deceleration, range is: 0.01 to 3000 sec.	✓ ✓	15.00	15.00	sec.
	DEC 2 015.00s					
A293	Deceleration (2) time setting, (2nd motor)	Duration of 2nd segment of deceleration, 2nd motor, range is: 0.01 to 3000 sec.	✓ ✓	15.00	15.00	sec.
	2DEC2 015.00s					
A094	Select method to switch to Acc2/Dec2 profile	Two options for switching from 1st to 2nd accel/decel: 00 .. 2CH input from terminal 01 .. transition frequency	✗ ✗	00	00	—
	ACC CHG TM					
A294	Select method to switch to Acc2/Dec2 profile, 2nd motor	Two options for switching from 1st to 2nd accel/decel: 00 .. 2CH input from terminal 01 .. transition frequency (2nd motor)	✗ ✗	00	00	—
	2ACCCHG TM					

"A" Function			Run Mode Edit Lo Hi	Defaults		
Func. Code	Name / SRW Display	Description		-FE(F) (EU)	-FU (USA)	Units
A095	Acc1 to Acc2 frequency transition point	Output frequency at which Accel1 switches to Accel2, range is 0.0 to 400.0 Hz	X X	0.0	0.0	Hz
	ACC CHfr0000.0Hz					
A295	Acc1 to Acc2 frequency transition point, 2nd motor	Output frequency at which Accel1 switches to Accel2, range is 0.0 to 400.0 Hz	X X	0.0	0.0	Hz
	2ACCCHfr0000.0Hz					
A096	Dec1 to Dec2 frequency transition point	Output frequency at which Decel1 switches to Decel2, range is 0.0 to 400.0 Hz	X X	0.0	0.0	Hz
	DEC CHfr0000.0Hz					
A296	Dec1 to Dec2 frequency transition point, 2nd motor	Output frequency at which Decel1 switches to Decel2, range is 0.0 to 400.0 Hz	X X	0.0	0.0	Hz
	2DECCHfr0000.0Hz					

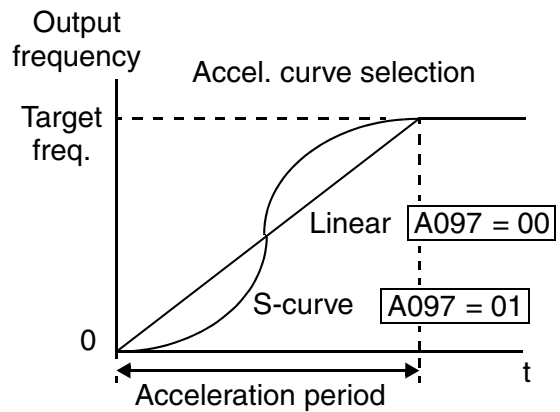


NOTE: For A095 and A096 (and for 2nd motor settings), if you set a very rapid Acc1 or Dec1 time (less than 1.0 second), the inverter may not be able to change rates to Acc2 or Dec2 before reaching the target frequency. In that case, the inverter decreases the rate of Acc1 or Dec1 in order to achieve the second ramp to the target frequency.

Accel/Decel

Standard acceleration and deceleration is linear. The inverter CPU can also calculate an S-curve acceleration or deceleration curve as shown. This profile is useful for favoring the load characteristics in particular applications.

Curve settings for acceleration and deceleration are independently selected. To enable the S-curve, use function A097 (acceleration) and A098 (deceleration).



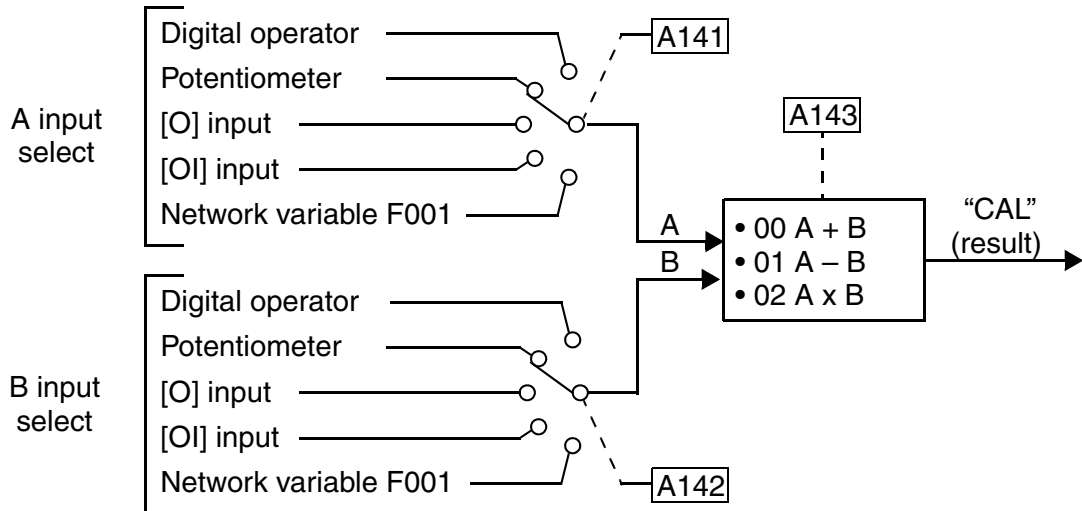
"A" Function			Run Mode Edit Lo Hi	Defaults		
Func. Code	Name / SRW Display	Description		-FE(F) (EU)	-FU (USA)	Units
A097	Acceleration curve selection	Set the characteristic curve of Acc1 and Acc2, two options: 00 .. linear 01 .. S-curve	X X	00	00	—
	ACC LINE L					
A098	Deceleration curve selection	Set the characteristic curve of Acc1 and Acc2, two options: 00 .. linear 01 .. S-curve	X X	00	00	—
	DEC LINE L					

Additional Analog Input Settings

Input Range Settings – The parameters in the following table adjust the input characteristics of the analog current input. When using the inputs to command the inverter output frequency, these parameters adjust the starting and ending ranges for the current, as well as the output frequency range. Related characteristic diagrams are located in "Analog Input Settings" on page 3-13.

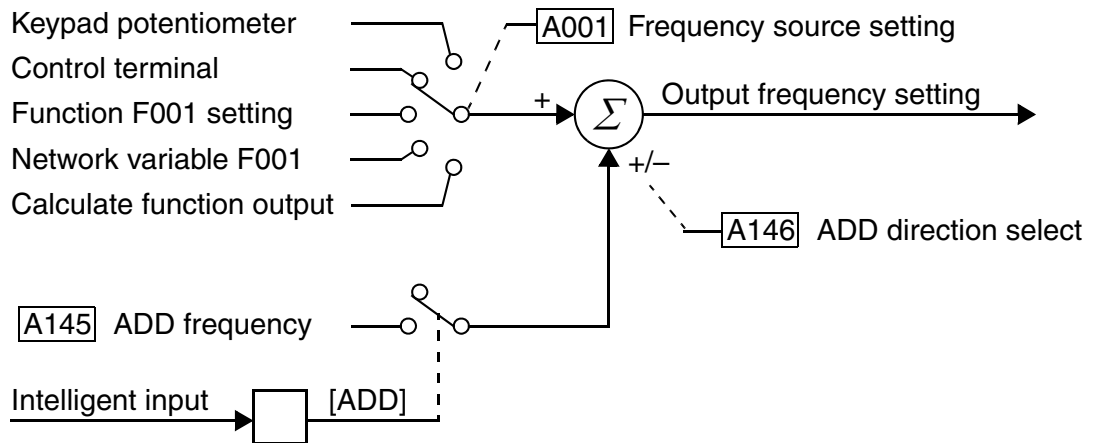
"A" Function			Run Mode Edit Lo Hi	Defaults		
Func. Code	Name / SRW Display	Description		-FE(F) (EU)	-FU (USA)	Units
A101	[OI]-[L] input active range start frequency	The output frequency corre- sponding to the current input range starting point. Range is 0.00 to 400.0 Hz	X ✓	0.0	0.0	Hz
	OI-EXS 0000.0Hz					
A102	[OI]-[L] input active range end frequency	The output frequency corre- sponding to the current input range ending point. Range is 0.00 to 400.0 Hz	X ✓	0.0	0.0	Hz
	OI-EXE 0000.0Hz					
A103	[OI]-[L] input active range start current	The starting point for the current input range. Range is 0. to 100.%	X ✓	0.0	0.0	%
	OI-EX%S 00000%					
A104	[OI]-[L] input active range end current	The ending point for the current input range. Range is 0. to 100.%	X ✓	100.	100.	%
	OI-EX%E 00100%					
A105	[OI]-[L] input start frequency enable	Two options: 00... Use A101 start value 01... Use 0Hz	X ✓	01	01	—
	OI-LVL 0Hz					

Analog Input Calculate Function – The inverter can mathematically combine two input sources into one value. The Calculate function can either add, subtract, or multiply the two selected sources. This provides the flexibility needed by various applications. You can use the result for the output frequency setting (use A001=10) or for the PID Process Variable (PV) input (use A075=03).



"A" Function			Run Mode Edit Lo Hi	Defaults		Units
Func. Code	Name / SRW Display	Description		-FE(F) (EU)	-FU (USA)	
A141	A input select for calculate function	Five options: 00 .. Digital operator 01 .. Keypad potentiometer 02 .. [O] input 03 .. [OI] input 04 .. Network variable (from ModBus, CANopen, DeviceNet, ProfiBus)	X ✓	02	02	—
	CALC Slct1 0					
A142	B input select for calculate function	Five options: 00 .. Digital operator 01 .. Keypad potentiometer 02 .. [O] input 03 .. [OI] input 04 .. Network variable (from ModBus, CANopen, DeviceNet, ProfiBus)	X ✓	03	03	—
	CALC Slct2 OI					
A143	Calculation symbol	Calculates a value based on the A input source (A141 selects) and the B input source (A142 selects). Three options: 00 .. ADD (A input + B input) 01 .. SUB (A input - B input) 02 .. MUL (A input x B input)	X ✓	00	00	—
	CALC SML ADD					

ADD Frequency – The inverter can add or subtract an offset value to the output frequency setting which is specified by A001 (will work with any of the five possible sources). The ADD Frequency is a value you can store in parameter A145. The ADD Frequency is summed with or subtracted from the output frequency setting only when the [ADD] terminal is ON. Function A146 selects whether to add or subtract. By configuring an intelligent input as the [ADD] terminal, your application can selectively apply the fixed value in A145 to offset (positively or negatively) the inverter output frequency in real time.



“A” Function			Run Mode Edit Lo Hi	Defaults		
Func. Code	Name / SRW Display	Description		-FE(F) (EU)	-FU (USA)	Units
A145	ADD frequency	An offset value that is applied to the output frequency when the [ADD] terminal is ON. Range is 0.0 to 400.0 Hz	✓ ✓	0.0	0.0	Hz
	ST-PNT 0000.0Hz					
A146	ADD direction select	Two options: 00... Plus (adds A145 value to the output frequency setting) 01... Minus (subtracts A145 value from the output frequency setting)	✗ ✓	00	00	—
	ADD DIR PLUS					
A151	Pot. input active range start frequency	The output frequency corresponding to the potentiometer range starting point, range is 0.0 to 400.0	✗ ✓	0.0	0.0	Hz
	POT EXS 0.0					
A152	Pot. input active range end frequency	The output frequency corresponding to the potentiometer range ending point, range is 0.0 to 400.0	✗ ✓	0.0	0.0	Hz
	POT EXE 0.0					
A153	Pot. input active range start current	The output frequency corresponding to the potentiometer range starting point, range is 0.0 to 100.0	✗ ✓	0.0	0.0	%
	POT EXS 0.0					

"A" Function			Run Mode Edit Lo Hi	Defaults		
Func. Code	Name / SRW Display	Description		-FE(F) (EU)	-FU (USA)	Units
A154	Pot. input active range end current	The output frequency corresponding to the potentiometer range ending point, range is 0.0 to 100.0	X ✓	0.0	0.0	%
	POT EXS%E 0.0					
A155	Pot. input start frequency enable	Two options: 00 .. Disable 01 .. Enable	X ✓	01	01	—
	POT LVL 01					

“B” Group: Fine Tuning Functions

The “B” Group of functions and parameters adjust some of the more subtle but useful aspects of motor control and system configuration.

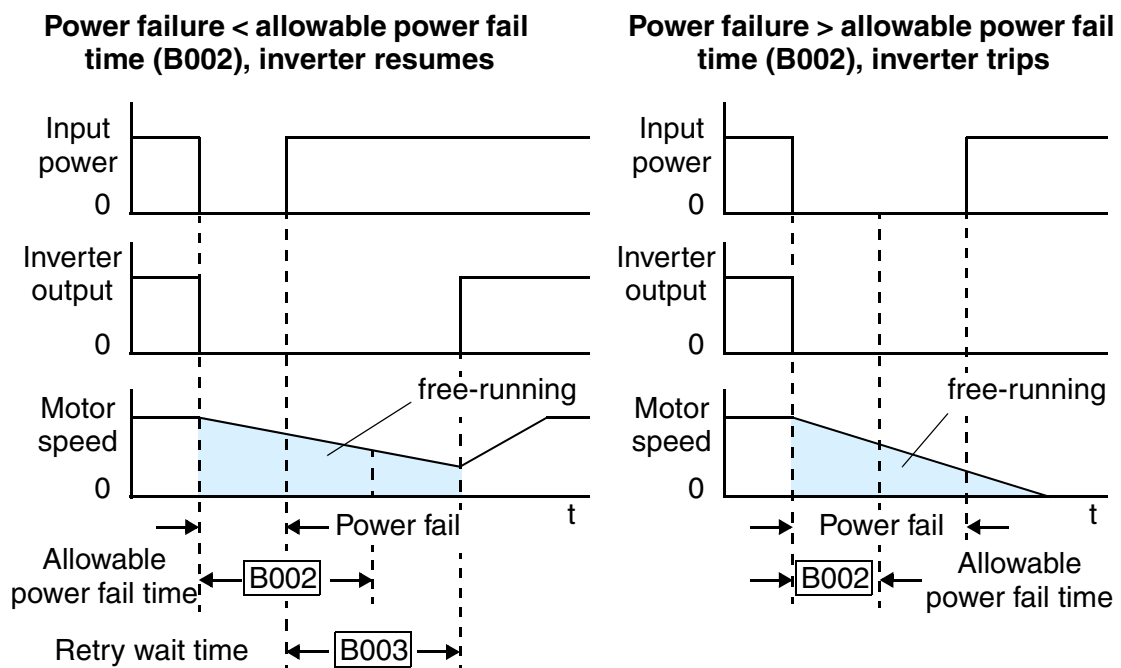
Automatic Restart Mode

The restart mode determines how the inverter will resume operation after a fault causes a trip event. The four options provide advantages for various situations. Frequency matching allows the inverter to read the motor speed by virtue of its residual magnetic flux and restart the output at the corresponding frequency. The inverter can attempt a restart a certain number of times depending on the particular trip event:

- Over-current trip, restart up to 3 times
- Over-voltage trip, restart up to 3 times
- Under-voltage trip, restart up to 16 times

When the inverter reaches the maximum number of restarts (3 or 16), you must power cycle the inverter to reset its operation.

Other parameters specify the allowable under-voltage level and the delay time before restarting. The proper settings depend on the typical fault conditions for your application, the necessity of restarting the process in unattended situations, and whether restarting is always safe.



Instantaneous Power Failure / Under-voltage Alarm

Use parameter B004 to disable or enable the instantaneous power failure / undervoltage alarm. When the alarm is enabled, parameter settings B001 (Selection of Automatic Restart Mode) and B002 (Allowable Under-voltage Power Failure Time) are not valid.

"B" Function			Run Mode Edit Lo Hi	Defaults		Units
Func. Code	Name / SRW Display	Description		-FE(F) (EU)	-FU (USA)	
B001	Selection of automatic restart mode	Select inverter restart method, four option codes: 00 .. Alarm output after trip, no automatic restart 01 .. Restart at 0Hz 02 .. Resume operation after frequency matching 03 .. Resume previous freq. after freq. matching, then decelerate to stop and display trip info.	X ✓	00	00	—
	IPS POWR ALM					
B002	Allowable under-voltage power failure time	The amount of time a power input under-voltage can occur without tripping the power failure alarm. Range is 0.3 to 25 sec. If under-voltage exists longer than this time, the inverter trips, even if the restart mode is selected.	X ✓	1.0	1.0	sec.
	IPS Time 0001.0s					
B003	Retry wait time before motor restart	Time delay after under-voltage condition goes away, before the inverter runs motor again. Range is 0.3 to 100 seconds.	X ✓	1.0	1.0	sec.
	IPS Wait 0001.0s					
B004	Instantaneous power failure / under-voltage trip alarm enable	Two option codes: 00 .. Disable 01 .. Enable	X ✓	00	00	sec.
	IPS TRIP OFF					
B005	Number of restarts on power failure / under-voltage trip events	Two option codes: 00 .. Restart 16 times 01 .. Always restart	X ✓	00	00	sec.
	IPS RETRY 16					

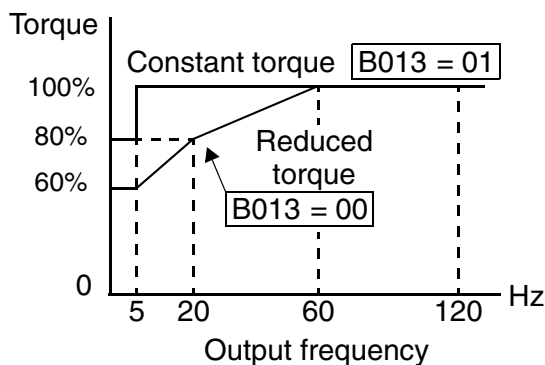
Configuring Drive Parameters

Electronic Thermal Overload Alarm Setting

The thermal overload detection protects the inverter and motor from overheating due to an excessive load. It uses a current/inverse time curve to determine the trip point.

First, use B013 to select the torque characteristic that matches your load. This allows the inverter to utilize the best thermal overload characteristic for your application.

The torque developed in a motor is directly proportional to the current in the windings,



which is also proportional to the heat generated (and temperature, over time). Therefore, you must set the thermal overload threshold in terms of current (amperes) for parameter B012. The range is 20% to 120% of the rated current for each inverter model. If the current exceeds the level you specify, the inverter will trip and log an event (error E05) in the history table. The inverter turns the motor output OFF when tripped. Separate settings are available for the second motor (if applicable) as shown in the following table.

“B” Function			Run Mode Edit Lo Hi	Defaults		
Func. Code	Name / SRW Display	Description		-FE(F) (EU)	-FU (USA)	Units
B012	Level of electronic thermal setting	Set a level between 20% and 120% for the rated inverter current.	X ✓	Rated current for each inverter model *1		A
	E-THM LVL001.60A					
B212	Level of electronic thermal setting, 2nd motor	Set a level between 20% and 120% for the rated inverter current.	X ✓	Rated current for each inverter model *1		A
	2ETHM LVL 01.60A					
B013	Electronic thermal characteristic	Select from two curves, option codes: 00... Reduced torque 1 01... Constant torque 02... Reduced torque 2	X ✓	01	01	—
	E-THM CHAR CRT					
B213	Electronic thermal characteristic, 2nd motor	Select from two curves, option codes: 00... Reduced torque 1 01... Constant torque 02... Reduced torque 2	X ✓	01	01	—
	2ETHM CHAR CRT					

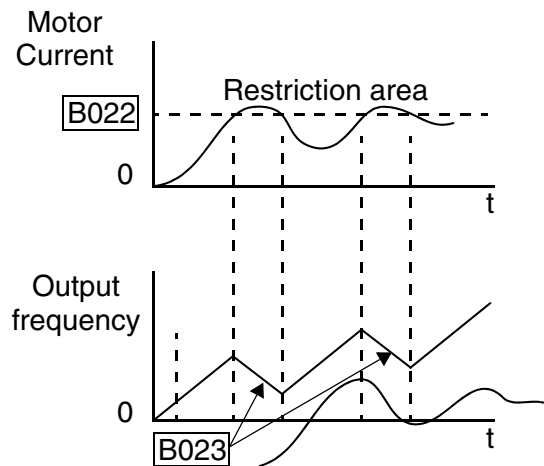
Note 1: For inverter models 005NFE(F), 011NFE(F), and 030HFE(F), the thermal value is less than the rated amperes (is the same as models 004NFE(F), 015NFE(F), and 040HFE(F) respectively). Therefore, be sure to set the electronic thermal overload according to the actual motor driven by the particular inverter.



WARNING: When parameter B012, level of electronic thermal setting, is set to motor FLA rating (Full Load Ampere nameplate rating), the inverter provides solid state motor overload protection at 115% of motor FLA or equivalent. If parameter B012 exceeds the motor FLA rating, the motor may overheat and be damaged. Parameter B012, level of electronic thermal setting, is a variable parameter.

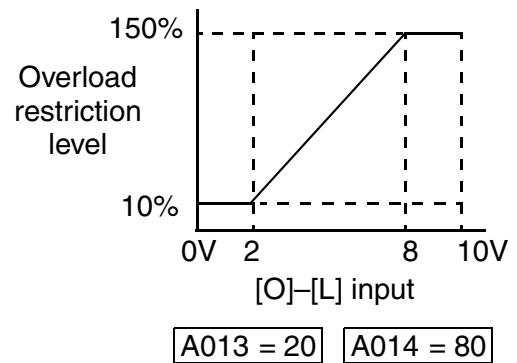
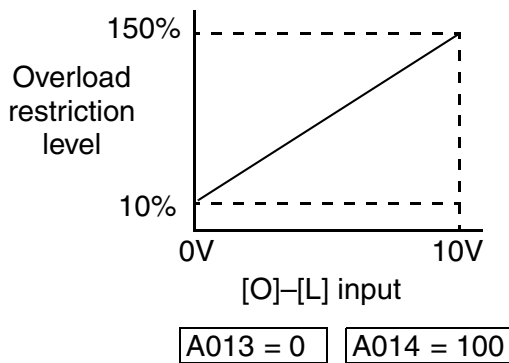
Overload Restriction

If the inverter’s output current exceeds a preset current level you specify during acceleration or constant speed, the overload restriction feature automatically reduces the output frequency to restrict the overload. This feature does not generate an alarm or trip event. You can instruct the inverter to apply overload restriction only during constant speed, thus allowing higher currents for acceleration. Or, you may use the same threshold for both acceleration and constant speed.



When the inverter detects an overload, it must decelerate the motor to reduce the current until it is less than the threshold. You can choose the rate of deceleration that the inverter uses to lower the output current.

The Overload Restriction Level can be set to a constant or to a variable (analog input). For constant values, use B028/B228 = 00 to select parameters B022/B222. For a variable overload restriction level, use B028/B228 = 01 to select analog voltage input terminals [O]–[L]. In this case, parameters A013 and A014 set the start and end points for the linear range of the graph as shown in the graphs below.



When using the analog input method to set the overload restriction (B028/B228 = 01), the inverter does not read settings B022/B222 Overload Restriction Level. Instead, the inverter writes the analog input value (in Ampere units) to parameters B022/B222. In this way, you can monitor the effective overload restriction value (in Amperes) in real time. However, you cannot store the value to B022/B222. If you use the second motor function, the inverter displays “void” for either B022 or B222 if the parameter’s corresponding motor is not selected via Set or Special Set functions.

Input	State	B022 monitor display	B222 monitor display	Units
[SET] or [S-ST]	OFF	[O] analog input value	void	A
	ON	void	[O] analog input value	A

"B" Function			Run Mode Edit Lo Hi	Defaults		
Func. Code	Name / SRW Display	Description		-FE(F) (EU)	-FU (USA)	Units
B021	Overload restriction operation mode	Select the operating mode during overload conditions, three options, option codes: 00... Disabled 01... Enabled for acceleration and constant speed 02... Enabled for constant speed only	X ✓	01	01	—
	OL Mode ON					
B221	Overload restriction operation mode, 2nd motor		X ✓	01	01	—
	2OL Mode ON					
B022	Overload restriction setting / input monitor	Sets the level for overload restriction, between 10% and 150% of the rated current of the inverter, setting resolution is 1% of rated current. This parameter monitors (read-only) the [O]-[L] input when that input is the overload restriction source (B028/B228 = 01).	X ✓	Rated current x 1.5	A	
	OL LVL 002.40A					
B222	Overload restriction setting / input monitor, 2nd motor		X ✓	Rated current x 1.5	A	
	2OL LVL 002.40A					
B023	Deceleration rate at overload restriction	Sets the deceleration rate when inverter detects overload, range is 0.1 to 30.0, resolution is 0.1.	X ✓	1.0	30.0	sec.
	2OL Cnst 0001.0s					
B223	Deceleration rate at overload restriction, 2nd motor		X ✓	1.0	30.0	sec.
	OL Cnst 0001.0s					
B028	Overload restriction source selection	Two options; select codes: 00... B022/B222 setting level 01... [O]-[L] analog input	X ✓	00	00	—
	OL L-Slct C022					
B228	Overload restriction source selection, 2nd motor		X ✓	00	00	—
	2OL L-Slct C022					

Software Lock Mode

The software lock function keeps personnel from accidentally changing parameters in the inverter memory. Use B031 to select from various protection levels.

The table below lists all combinations of B031 option codes and the ON/OFF state of the [SFT] input. Each Check ✓ or Ex ✗ indicates whether the corresponding parameter(s) can be edited. The Standard Parameters column below lists Low and High level access for some lock modes. These refer to the parameter tables throughout this chapter, each of which includes a column titled *Run Mode Edit* as shown to the right.

	Run Mode Edit	
	Lo Hi	
	✗ ✓	

The two marks (Check ✓ or Ex ✗) under the “Lo Hi” subtitle indicate whether Low-level and/or High-level access applies to each parameter as defined in the table below. In some lock modes, you can edit only F001 and the Multi-speed parameter group that includes A020, A220, A021–A035, and A038 (Jog). However, it does not include A019, Multi-speed operation selection. The editing access to B031 itself is unique, and is specified in the right-most two columns below.

B031 Lock Mode	[SFT] Intelligent Input	Standard Parameters		F001 and Multi-Speed	B031	
		Stop	Run	Stop & Run	Stop	Run
00	OFF	✓	Low-level	✓	✓	✗
	ON	✗	✗	✗	✓	✗
01	OFF	✓	Low-level	✓	✓	✗
	ON	✗	✗	✓	✓	✗
02	(ignored)	✗	✗	✗	✓	✗
03	(ignored)	✗	✗	✓	✓	✗
10	(ignored)	✓	High-level	✓	✓	✓



NOTE: Since the software lock function B031 is always accessible, this feature is not the same as password protection used in other industrial control devices.

"B" Function			Run Mode Edit Lo Hi	Defaults		
Func. Code	Name / SRW Display	Description		-FE(F) (EU)	-FU (USA)	Units
B031	Software lock mode selection	Prevents parameter changes, in five options, option codes: 00... Low-level access, [SFT] input blocks all edits 01... Low-level access, [SFT] input blocks edits (except F001 and Multi-speed parameters) 02... No access to edits 03... No access to edits except F001 and Multi-speed param- eters 10... High-level access, includ- ing B031	X ✓	01	01	—
	S-Lock					



NOTE: To disable parameter editing when using B031 lock modes 00 and 01, assign the [SFT] function to one of the intelligent input terminals. See "Software Lock" on page 4-23.

Miscellaneous Settings

The miscellaneous settings include scaling factors, initialization modes, and others. This section covers some of the most important settings you may need to configure.

B080: [AM] analog signal gain – This parameter allows you to scale the analog output [AM] relative to the monitored variable.

B082: Start frequency adjustment – When the inverter starts to run, the output frequency does not ramp from 0Hz. Instead, it steps directly to the *start frequency* (B082), and the ramp proceeds from upward there.

B083: Carrier frequency adjustment – The internal *switching frequency* of the inverter circuitry (also called the *chopper frequency*). It is called the carrier frequency because the lower AC output frequency of the inverter “rides” the carrier. The faint, high-pitched sound you hear when the inverter is in Run Mode is characteristic of switching power supplies in general. The carrier frequency is adjustable from 2.0 kHz to 14 kHz. The audible sound decreases at the higher frequencies, but RFI noise and leakage current may be increased. Refer to the specification derating curves in Chapter 1 to determine the maximum allowable carrier frequency setting for your particular inverter and environmental conditions.



NOTE: The carrier frequency setting must stay within specified limits for inverter-motor applications that must comply with particular regulatory agencies. For example, a European CE-approved application requires the inverter carrier to be less than 5 kHz.

B084, B085: Initialization codes – These functions allow you to restore the factory default settings. Please refer to “Restoring Factory Default Settings” on page 6–8.

B086: Frequency display scaling – You can convert the output frequency monitor on D001 to a scaled number (engineering units) monitored at function D007. For example, the motor may run a conveyor that is monitored in feet per minute. Use this formula:

$$\text{Scaled output frequency (D_07)} = \text{Output frequency (D_01)} \times \text{Factor (B_86)}$$

"B" Function			Run Mode Edit Lo Hi	Defaults		
Func. Code	Name / SRW Display	Description		-FE(F) (EU)	-FU (USA)	Units
B080	[AM] analog signal gain	Adjust of analog output at terminal [AM], range is 0 to 255	✓ ✓	100.	100.	—
	AM-Adj 00100%					
B082	Start frequency adjust- ment	Sets the starting frequency for the inverter output, range is 0.5 to 9.9 Hz	✗ ✓	0.5	0.5	Hz
	fmin 0000.5Hz					
B083	Carrier frequency setting	Sets the PWM carrier (internal switching frequency), range is 2.0 to 14.0 kHz	✗ ✗	5.0	5.0	kHz
	Carrier 0005.0					
B084	Initialization mode (parameters or trip history)	Select the type of initialization to occur, two option codes: 00... Trip history clear 01... Parameter initialization 02... Trip history clear and parameter initialization	✗ ✗	00	00	—
	INIT Mode TRP					
B085	Country code for initial- ization	Select default parameter values for country on initialization, four options, option codes: 00... Japan version 01... Europe version 02... US version	✗ ✗	01	02	—
	INIT Slct USA					
B086	Frequency scaling conversion factor	Specify a constant to scale the displayed frequency for D007 monitor, range is 0.1 to 99.9	✓ ✓	1.0	1.0	—
	Conv Gain 0001.0					
B087	STOP key enable	Select whether the STOP key on the keypad is enabled, two option codes: 00... enabled 01... disabled	✗ ✓	00	00	—
	STP Key ON					

B091/B088: Stop Mode / Restart Mode Configuration – You can configure how the inverter performs a standard stop (each time Run FWD and REV signals turn OFF). Setting B091 determines whether the inverter will control the deceleration, or whether it will perform a free-run stop (coast to a stop). When using the free-run stop selection, it is imperative to also configure how you want the inverter to resume control of motor speed. Setting B088 determines whether the inverter will ensure the motor always resumes at 0 Hz, or whether the motor resumes from its current coasting speed (also called *frequency matching*). The Run command may turn OFF briefly, allowing the motor to coast to a slower speed from which normal operation can resume.

In most applications a controlled deceleration is desirable, corresponding to B091=00. However, applications such as HVAC fan control will often use a free-run stop (B091=01). This practice decreases dynamic stress on system components, prolonging system life. In this case, you will typically set B088=01 in order to resume from the current speed after a free-run stop (see diagram below, right). Note that using the default setting, B088=00, can cause trip events when the inverter attempts to force the load quickly to zero speed.

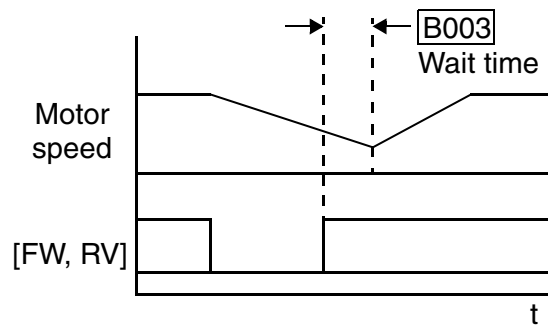
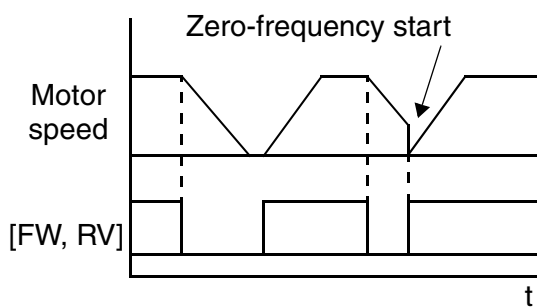


NOTE: Other events can cause (or be configured to cause) a free-run stop, such as power loss (see “Automatic Restart Mode” on page 3-32), or an intelligent input terminal [FRS] signal. If all free-run stop behavior is important to your application (such as HVAC), be sure to configure each event accordingly.

An additional parameter further configures all instances of a free-run stop. Parameter B003, Retry Wait Time Before Motor Restart, sets the minimum time the inverter will free-run. For example, if B003 = 4 seconds (and B091=01) and the cause of the free-run-stop lasts 10 seconds, the inverter will free-run (coast) for a total of 14 seconds before driving the motor again.

B091 = 01 Stop Mode = free-run stop
B088 = 00 Resume from 0Hz

B091 = 01 Stop Mode = free-run stop
B088 = 01 Resume from current speed

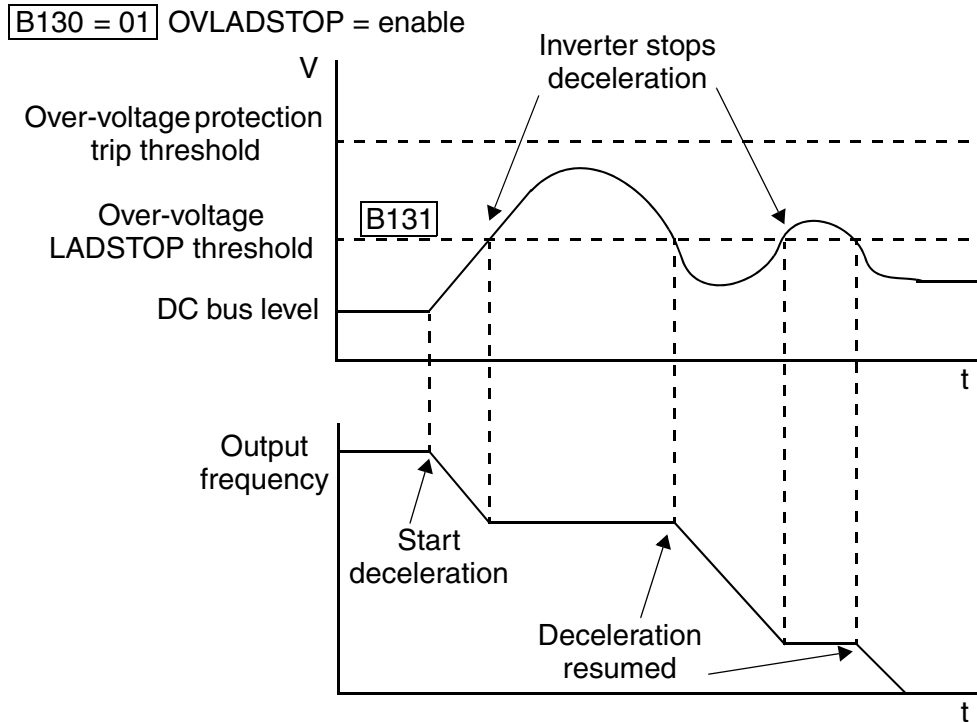


B090: Dynamic braking usage ratio – This parameter limits the amount of time the inverter can use the dynamic braking accessory device without entering the Trip Mode. Please refer to “Dynamic Braking” on page 5-5 for more information on dynamic braking accessories.

“B” Function			Run Mode Edit Lo Hi	Defaults		
Func. Code	Name / SRW Display	Description		-FE(F) (EU)	-FU (USA)	Units
B088	Restart mode after FRS	Selects how the inverter resumes operation when the free-run stop (FRS) is cancelled, two options: 00... Restart from 0Hz 01... Restart from frequency detected from real speed of motor (frequency matching)	X ✓	00	00	—
	RUN FRS ZST					
B090	Dynamic braking usage ratio	Selects the rate of use (in %) of the regenerative braking resistor per 100 sec. intervals, range is 0.0 to 100.0% 0% . Dynamic braking disabled >0% Enabled, per value	X ✓	0.0	0.0	%
	BRD %ED 0000.0%					
B091	Stop mode selection	Selects how the inverter stops the motor, two option codes: 00... DEC (decelerate and stop) 01... FRS (free run to stop)	X X	00	00	—
	STP Slct DEC					
B092	Cooling fan control	Selects when the fan is ON per inverter operation, two options: 00... Fan is always ON 01... Fan is ON during run, OFF during stop (5 min. delay from ON to OFF) 02... Fan is temperature-controlled	X X	00	00	—
	FAN-CTRL OFF					
B095	Dynamic braking control	Three option codes: 00... Disable 01... Enable during RUN only 02... Enable always	X ✓	00	00	—
	BRD Slct OFF					
B096	Dynamic braking activation level	Range is: 330 to 380V (200V class), 660 to 760V (400V class)	X ✓	360/ 720	360/ 720	—
	BRD LVL 00360V					

B130/B131: Over-voltage LADSTOP Enable / Over-voltage LADSTOP Level – The over-voltage LADSTOP function monitors the DC bus voltage and actively changes the output frequency profile to maintain the DC bus voltage within settable limits. Although “LAD” refers to “linear acceleration / deceleration,” the inverter only “STOPS” the deceleration slope so that regenerative voltage will not cause the DC bus to rise enough to cause an over-voltage trip event. Note that acceleration is not affected.

The graph below shows an inverter output profile that starts decelerating to a stop. At two different points during the deceleration, regenerative voltage elevates the DC bus level, exceeding the LADSTOP threshold set by B131. When the Over-voltage LADSTOP feature is enabled by B130 = 01, the inverter stops the deceleration ramp in each case until the DC bus level is again less than the threshold value.



When using the Over-voltage LADSTOP feature, please note the following:

- When the over-voltage LADSTOP feature is enabled (B130 = 01), the actual deceleration is sometimes longer than the value set by parameters F003/F203.
- The over-voltage LADSTOP feature does not operate by maintaining a constant DC bus voltage. So, it is still possible to have an over-voltage trip event during extreme deceleration.
- If B131 is set *lower* than the normal DC bus voltage (when *not* in decel) by mistake, or if the inverter's input voltage increases enough, then the inverter will apply LADSTOP (if enabled) all the time. In this case, the inverter can accelerate and run the motor, but it cannot decelerate. If you are not sure that B131 > DC bus voltage, measure the DC bus voltage in your installation and verify that the B131 value is higher.

"B" Function			Run Mode Edit Lo Hi	Defaults		
Func. Code	Name / SRW Display	Description		-FE(F) (EU)	-FU (USA)	Units
B130	Over-voltage LADSTOP enable	Pauses deceleration ramp when DC bus voltage rises above threshold level, in order to avoid over-voltage trip. Two option codes: 00 .. Disable 01 .. Enable	X ✓	00	00	—
	OVLADSTOP OFF					

"B" Function			Run Mode Edit Lo Hi	Defaults		
Func. Code	Name / SRW Display	Description		-FE(F) (EU)	-FU (USA)	Units
B131	Over-voltage LADSTOP level	Sets the threshold level for over-voltage LADSTOP. When the DC bus voltage is above the threshold value, the inverter stops deceleration until the DC bus voltage is less than the threshold setting again. Two voltage ranges with 1V resolution: 200V class: 330 to 390V 400V class: 660 to 780V	✓ ✓	380 / 760	380 / 760	V
	LADST LVL 00380V					

B150: Carrier Mode – If B083 Carrier Frequency setting is greater than 4 kHz, then the B150 Carrier Mode function (if enabled) will reduce the actual carrier frequency downward to 4 kHz as the inverter’s internal temperature increases.

"B" Function			Run Mode Edit Lo Hi	Defaults		
Func. Code	Name / SRW Display	Description		-FE(F) (EU)	-FU (USA)	Units
B140	Over-current trip suppression	Two option codes: 00... Disable 01... Enable	✗ ✓	00	00	—
	I-SUP Mode OFF					
B150	Carrier mode	Automatically reduces the actual carrier frequency as needed to avoid internal overheating. Two option codes: 00... Disable 01... Enable	✗ ✓	00	00	—
	Cr-DEC OFF					
B151	Quick start enable	Enables inverter output for constant ON operation to speed up response. Two option codes: 00... Disable 01... Enable	✓ ✓	00	00	—
	RDY-Func OFF					

B151: Quick start enable – This function and the intelligent input [RDY] (option code 52) have the same effect. If you need the inverter output to *always* have a quick response, use parameter B151 and *do not* assign the [RDY] input. Otherwise, disable Quick Start Enable (set B151=00) and assign the [RDY] input. Then you can enable the Quick Start feature only when necessary. When the Quick Start feature is enabled, then access to parameter editing is the same as when the inverter is in Run Mode.



NOTE: Parameter B151 cannot be read and copied to another inverter. This prevents turning ON another inverter’s output unexpectedly.

“C” Group: Intelligent Terminal Functions

The six input terminals [1], [2], [3], [4], [5], and [6] can be configured for any of 19 different functions. The next two tables show how to configure the six terminals. The inputs are logical, in that they are either OFF or ON. We define these states as OFF=0, and ON=1.

The inverter comes with default options for the six terminals. These default settings are initially unique, each one having its own setting. Note that European and US versions have different default settings. You can use any option on any terminal, and even use the same option twice to create a logical OR (though usually not required).



NOTE: Terminal [5] has the ability to be a logical input, and to be an analog input for a thermistor device when the PTC function (option code 19) is assigned to that terminal.

Input Terminal Configuration

Functions and Options –The *function codes* in the following table let you assign one of nineteen options to any of the six logic inputs for the SJ2002 inverters. The functions C001 through C006 configure the terminals [1] through [6] respectively. The “value” of these particular parameters is not a scalar value, but it is a discrete number that selects one option from many available *options*.

For example, if you set function C001=00, you have assigned option 00 (Forward Run) to terminal [1]. The option codes and the specifics of how each one works are in Chapter 4.

“C” Function			Run Mode Edit Lo Hi	Defaults		Units
Func. Code	Name / SRW Display	Description		–FE(F) (EU)	–FU (USA)	
C001	Terminal [1] function	Select terminal [1] function, 29 options (see next section)	X X	00 [FW]	00 [FW]	—
	IN-TM 1 FW					
C201	Terminal [1] function, 2nd motor	Select terminal [1] function, 29 options (see next section)	X X	00 [FW]	00 [FW]	—
	2IN-TM 1 FW					
C002	Terminal [2] function	Select terminal [2] function, 29 options (see next section)	X X	01 [RV]	01 [RV]	—
	IN-TM 2 RV					
C202	Terminal [2] function, 2nd motor	Select terminal [2] function, 29 options (see next section)	X X	01 [RV]	01 [RV]	—
	2IN-TM 2 RV					
C003	Terminal [3] function	Select terminal [3] function, 29 options (see next section)	X X	02 [CF1]	16 [AT]	—
	IN-TM 3 AT					
C203	Terminal [3] function, 2nd motor	Select terminal [3] function, 29 options (see next section)	X X	02 [CF1]	16 [AT]	—
	2IN-TM 3 AT					

"C" Function			Run Mode Edit Lo Hi	Defaults		
Func. Code	Name / SRW Display	Description		-FE(F) (EU)	-FU (USA)	Units
C004	Terminal [4] function	Select terminal [4] function, 29 options (see next section)	X X	03 [CF2]	13 [USP]	—
	IN-TM 4 USP					
C204	Terminal [4] function, 2nd motor	Select terminal [4] function, 29 options (see next section)	X X	03 [CF2]	13 [USP]	—
	2IN-TM 4 USP					
C005	Terminal [5] function	Select terminal [5] function, 30 options (see next section)	X X	18 [RS]	09 [2CH]	—
	IN-TM 5 2CH					
C205	Terminal [5] function, 2nd motor	Select terminal [5] function, 30 options (see next section)	X X	18 [RS]	09 [2CH]	—
	2IN-TM 5 2CH					
C006	Terminal [6] function	Select terminal [6] function, 29 options (see next section)	X X	09 [2CH]	18 [RS]	—
	IN-TM 6 RS					
C206	Terminal [6] function, 2nd motor	Select terminal [6] function, 29 options (see next section)	X X	09 [2CH]	18 [RS]	—
	2IN-TM 6 RS					

The input logic convention is programmable for each of the six inputs. Most inputs default to normally open (active high), but you can select normally closed (active low) in order to invert the sense of the logic.

"C" Function			Run Mode Edit Lo Hi	Defaults		
Func. Code	Name / SRW Display	Description		-FE(F) (EU)	-FU (USA)	Units
C011	Terminal [1] active state	Select logic convention, two option codes: 00... normally open [NO] 01... normally closed [NC]	X X	00	00	—
	O/C-1 NO					
C012	Terminal [2] active state	Select logic convention, two option codes: 00... normally open [NO] 01... normally closed [NC]	X X	00	00	—
	O/C-2 NO					
C013	Terminal [3] active state	Select logic convention, two option codes: 00... normally open [NO] 01... normally closed [NC]	X X	00	00	—
	O/C-3 NO					
C014	Terminal [4] active state	Select logic convention, two option codes: 00... normally open [NO] 01... normally closed [NC]	X X	00	01	—
	O/C-4 NC					

“C” Function			Run Mode Edit Lo Hi	Defaults		
Func. Code	Name / SRW Display	Description		-FE(F) (EU)	-FU (USA)	Units
C015	Terminal [5] active state	Select logic convention, two option codes: 00 .. normally open [NO] 01 .. normally closed [NC]	× ×	00	00	—
	O/C-5 NO					
C016	Terminal [6] active state	Select logic convention, two option codes: 00 .. normally open [NO] 01 .. normally closed [NC]	× ×	00	00	—
	O/C-6 NO					



NOTE: An input terminal configured for option code 18 ([RS] Reset command) cannot be configured for normally closed operation.

Intelligent Input Terminal Overview

Each of the six intelligent terminals may be assigned any of the options in the following table. When you program one of the option codes for terminal assignments C001 to C006, the respective terminal assumes the function role of that option code. The terminal functions have a symbol or abbreviation that we use to label a terminal using that function. For example the “Forward Run” command is [FW]. The physical label on the terminal block connector is simply **1, 2, 3, 4, 5, or 6**. However, schematic examples in this manual also use the terminal symbol (such as [FW]) to show the assigned option. The option codes for C011 to C016 determines the active state of the logical input (active high or active low).

Input Function Summary Table – This table shows all twenty-four intelligent input functions at a glance. Detailed descriptions of these functions, related parameters and settings, and example wiring diagrams are in “Using Intelligent Input Terminals” on page 4–9.

Input Function Summary Table				
Option Code	Terminal Symbol	Function Name	Description	
00	FW	Forward Run/Stop	ON	Inverter is in Run Mode, motor runs forward
			OFF	Inverter is in Stop Mode, motor stops
01	RV	Reverse Run/Stop	ON	Inverter is in Run Mode, motor runs reverse
			OFF	Inverter is in Stop Mode, motor stops
02	CF1 *1	Multi-speed Select, Bit 0 (LSB)	ON	Binary encoded speed select, Bit 0, logical 1
			OFF	Binary encoded speed select, Bit 0, logical 0
03	CF2	Multi-speed Select, Bit 1	ON	Binary encoded speed select, Bit 1, logical 1
			OFF	Binary encoded speed select, Bit 1, logical 0
04	CF3	Multi-speed Select, Bit 2	ON	Binary encoded speed select, Bit 2, logical 1
			OFF	Binary encoded speed select, Bit 2, logical 0
05	CF4	Multi-speed Select, Bit 3 (MSB)	ON	Binary encoded speed select, Bit 3, logical 1
			OFF	Binary encoded speed select, Bit 3, logical 0
06	JG	Jogging	ON	Inverter is in Run Mode, output to motor runs at jog parameter frequency
			OFF	Inverter is in Stop Mode
07	DB	External DC Braking	ON	DC braking will be applied during deceleration
			OFF	DC braking will not be applied
08	SET	Set (select) 2nd Motor Data	ON	The inverter uses 2nd motor parameters for generating frequency output to motor. The selection of 1st or 2nd motor is available only during Stop Mode.
			OFF	The inverter uses 1st (main) motor parameters for generating frequency output to motor
09	2CH	2-stage Acceleration and Deceleration	ON	Frequency output uses 2nd-stage acceleration and deceleration values
			OFF	Frequency output uses standard acceleration and deceleration values
11	FRS	Free-run Stop	ON	Causes output to turn OFF, allowing motor to free run (coast) to stop
			OFF	Output operates normally, so controlled deceleration stops motor

Input Function Summary Table				
Option Code	Terminal Symbol	Function Name	Description	
12	EXT	External Trip	ON	When assigned input transitions OFF to ON, inverter latches trip event and displays E12
			OFF	No trip event for ON to OFF, any recorded trip events remain in history until Reset
13	USP	Unattended Start Protection	ON	On powerup, the inverter will not resume a Run command (mostly used in the US)
			OFF	On powerup, the inverter will resume a Run command that was active before power loss
15	SFT	Software Lock	ON	The keypad and remote programming devices are prevented from changing parameters
			OFF	The parameters may be edited and stored
16	AT	Analog Input Voltage/current Select	ON	Terminal [OI] is enabled for current input (uses terminal [L] for power supply return)
			OFF	Terminal [O] is enabled for voltage input (uses terminal [L] for power supply return)
18	RS	Reset Inverter	ON	The trip condition is reset, the motor output is turned OFF, and powerup reset is asserted
			OFF	Normal power-ON operation
19	PTC	PTC Thermistor Thermal Protection	ANLG	When a thermistor is connected to terminals [5] and [L], the inverter checks for over-temperature and will cause trip event and turn OFF output to motor
			OPEN	A disconnect of the thermistor causes a trip event, and the inverter turns OFF the motor
20	STA	Start (3-wire interface)	ON	Starts the motor rotation
			OFF	No change to present motor status
21	STP	Stop (3-wire interface)	ON	Stops the motor rotation
			OFF	No change to present motor status
22	F/R	FWD, REV (3-wire interface)	ON	Selects the direction of motor rotation: ON = FWD. While the motor is rotating, a change of F/R will start a deceleration, followed by a change in direction.
			OFF	Selects the direction of motor rotation: OFF = REV. While the motor is rotating, a change of F/R will start a deceleration, followed by a change in direction.

Input Function Summary Table

Option Code	Terminal Symbol	Function Name	Description	
23	PID	PID Disable	ON	Temporarily disables PID loop control. Inverter output turns OFF as long as PID Enable is active (A071=01).
			OFF	Has no effect on PID loop operation, which operates normally if PID Enable is active (A071=01).
24	PIDC	PID Reset	ON	Resets the PID loop controller. The main consequence is that the integrator sum is forced to zero.
			OFF	No effect on PID loop controller
27	UP	Remote Control UP Function (motorized speed pot.)	ON	Accelerates (increases output frequency) motor from current frequency
			OFF	Output to motor operates normally
28	DWN	Remote Control DOWN Function (motorized speed pot.)	ON	Decelerates (decreases output frequency) motor from current frequency
			OFF	Output to motor operates normally
29	UDC	Remote Control Data Clearing	ON	Clears the UP/DWN frequency memory by forcing it to equal the set frequency parameter F001. Setting C101 must be set=00 to enable this function to work.
			OFF	UP/DWN frequency memory is not changed
31	OPE	Operator Control	ON	Forces the source of the output frequency setting (A001) and the source of the RUN command (A002) to be from the digital operator
			OFF	Source of output frequency set by (A001) and source of run command set by (A002) is used
50	ADD	ADD frequency enable	ON	Adds the A145 value (Add Frequency) to the output frequency
			OFF	Does not add the A145 value to the output frequency
51	F-TM	Force Terminal Mode	ON	Force inverter to use input terminals for output frequency and Run command sources
			OFF	Source of output frequency set by (A001) and source of Run command set by (A002) is used
52	RDY	Quick Start Enable	ON	Inverter output is always ON (even when motor rotation has stopped) to improve motor startup time.
			OFF	Inverter output turns OFF normally in Stop Mode.

Input Function Summary Table				
Option Code	Terminal Symbol	Function Name	Description	
53	S-ST	Special-Set (select) 2nd Motor Data	ON	The inverter uses 2nd motor parameters for generating frequency output to motor. The selection of 1st or 2nd motor is available during Stop Mode or Run Mode.
			OFF	The inverter uses 1st (main) motor parameters for generating frequency output to motor
255	—	Not selected	ON	(input ignored)
			OFF	(input ignored)

Note 1: When using the Multi-speed Select settings CF1 to CF4, do not display parameter F001 or change the value of F001 while the inverter is in Run Mode (motor running). If it is necessary to check the value of F001 during Run Mode, please monitor D001 instead of F001.

Output Terminal Configuration

The inverter provides configuration for logic (discrete) and analog outputs, shown in the table below.

“C” Function			Run Mode Edit Lo Hi	Defaults		
Func. Code	Name / SRW Display	Description		-FE(F) (EU)	-FU (USA)	Units
C021	Terminal [11] function	11 programmable functions available for logic (discrete) outputs (see next section)	X X	01	01	—
	OUT-TM 11 FA1			[FA1]	[FA1]	
C022	Terminal [12] function		X X	00	00	—
	OUT-TM 12 RUN			[RUN]	[RUN]	
C026	Alarm relay terminal function		X X	05	05	—
	OUT-TM RY AL			[AL]	[AL]	
C028	[AM] signal selection	Two available functions: 00... Actual motor speed 01... Motor current (see after next section)	X ✓	00	00	—
	AM-KIND F			output freq.	output freq.	

The output logic convention is programmable for terminals [11], [12], and the alarm relay terminals. The open-collector output terminals [11] and [12] default to normally open (active low), but you can select normally closed (active high) for these terminals in order to invert the sense of the logic. You can invert the logical sense of the alarm relay output as well.

“C” Function			Run Mode Edit Lo Hi	Defaults		
Func. Code	Name / SRW Display	Description		-FE(F) (EU)	-FU (USA)	Units
C031	Terminal [11] active state	Select logic convention, two option codes: 00... normally open (NO) 01... normally closed (NC)	X X	00	00	—
	O/C-11 NO					
C032	Terminal [12] active state	Select logic convention, two option codes: 00... normally open (NO) 01... normally closed (NC)	X X	00	00	—
	O/C-12 NO					
C036	Alarm relay active state	Select logic convention, two option codes: 00... normally open (NO) 01... normally closed (NC)	X X	01	01	—
	O/C-RY NC					

Output Function Summary Table – This table shows all eleven functions for the logical outputs (terminals [11], [12]) at a glance. Detailed descriptions of these functions, related parameters and settings, and example wiring diagrams are in “Using Intelligent Output Terminals” on page 4–36.

Output Function Summary Table				
Option Code	Terminal Symbol	Function Name	Description	
00	RUN	Run Signal	ON	when inverter is in Run Mode
			OFF	when inverter is in Stop Mode
01	FA1	Frequency Arrival Type 1 – Constant Speed	ON	when output to motor is at the set frequency
			OFF	when output to motor is OFF, or in any acceleration or deceleration ramp
02	FA2	Frequency Arrival Type 2 – Over-frequency	ON	when output to motor is at or above the FA2 threshold (C042) during accel
			OFF	when output to motor is below the FA2 threshold (C043) during decel
03	OL	Overload Advance Notice Signal	ON	when output current is more than the set threshold for the overload signal
			OFF	when output current is less than the set threshold for the overload signal
04	OD	Output Deviation for PID Control	ON	when PID error is more than the set threshold for the deviation signal
			OFF	when PID error is less than the set threshold for the deviation signal
05	AL	Alarm Signal	ON	when an alarm signal has occurred and has not been cleared
			OFF	when no alarm has occurred since the last clearing of alarm(s)
06	Dc	Analog Input Disconnect Detect	ON	when the [O] input value < B082 setting (signal loss detected), or the [OI] input current < 4mA
			OFF	when no signal loss is detected
07	FBV	PID Second Stage Output	ON	Transitions to ON when the inverter is in RUN Mode and the PID Process Variable (PV) is less than the Feedback Low Limit (C053)
			OFF	Transitions to OFF the PID Feedback Value (PV) exceeds the PID High Limit (C052), and transitions to OFF when the inverter goes from Run Mode to Stop Mode.
08	NDc	ModBus Network Detection Signal	ON	when the communications watchdog timer (period specified by C077) has timed out
			OFF	when the communications watchdog timer is satisfied by regular communications activity

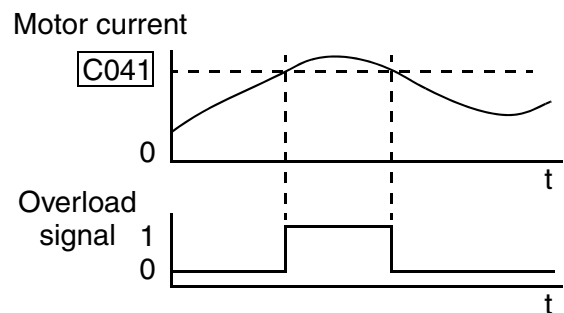
Output Function Summary Table				
Option Code	Terminal Symbol	Function Name	Description	
09	LOG	Logic Output Function	ON	when the Boolean operation specified by C143 has a logical “1” result
			OFF	when the Boolean operation specified by C143 has a logical “0” result
10	ODc	Option Card Detection Signal	ON	when the communications watchdog timer (period specified by P044) has timed out
			OFF	when the communications watchdog timer is satisfied by regular communications activity

Analog Function Summary Table – This table shows both functions for the analog voltage output [AM] terminal, configured by C028. More information on using and calibrating the [AM] output terminal is in “Analog Output Operation” on page 4-56.

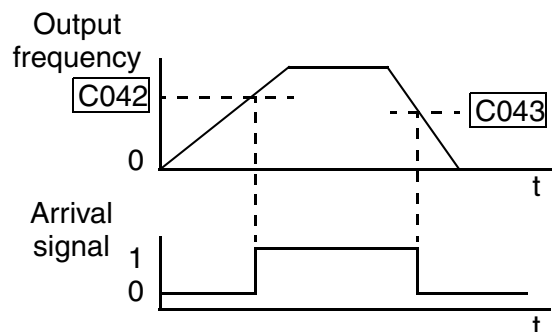
Analog Function Summary Table			
Option Code	Function Name	Description	Range
00	Analog Frequency Monitor	Actual motor speed	0 to max. frequency in Hz
01	Analog Current Output Monitor	Motor current (% of maximum rated output current)	0 to 200%

Output Function Adjustment Parameters

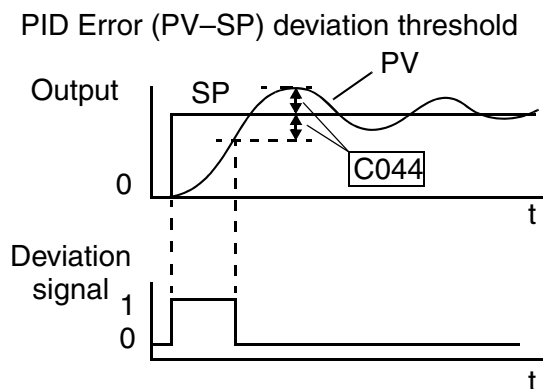
The following parameters work in conjunction with the intelligent output function, when configured. The overload level parameter (C041) sets the motor current level at which the overload signal [OL] turns ON. The range of settings is from 0% to 200% of the rated current for the inverter. This function is for generating an early warning logic output, without causing either a trip event or a restriction of the motor current (those effects are available on other functions).



The frequency arrival signal, [FA1] or [FA2], is intended to indicate when the inverter output has reached (arrived at) the target frequency. You can adjust the timing of the leading and trailing edges of the signal via two parameters specific to acceleration and deceleration ramps, C042 and C043.



The Error for the PID loop is the magnitude (absolute value) of the difference between the Setpoint (desired value) and Process Variable (actual value). The PID output deviation signal [OD] (output terminal function option code 04) indicates when the error magnitude has exceeded a magnitude you define.



“C” Function			Run Mode Edit Lo Hi	Defaults		Units
Func. Code	Name / SRW Display	Description		-FE(F) (EU)	-FU (USA)	
C041	Overload level setting	Sets the overload signal level between 0% and 200% (from 0 to two times the rated current of the inverter)	X ✓	Rated current for each inverter model	A	
	OL LVL 001.60A					
C241	Overload level setting, 2nd motor	Sets the overload signal level between 0% and 200% (from 0 to two times the rated current of the inverter)	X ✓	Rated current for each inverter model	A	
	ZOLLVL 001.60A					
C042	Frequency arrival setting for acceleration	Sets the frequency arrival setting threshold for the output frequency during acceleration, range is 0.0 to 400.0 Hz	X ✓	0.0	0.0	Hz
	ARV ACC 0000.0Hz					
C043	Arrival frequency setting for deceleration	Sets the frequency arrival setting threshold for the output frequency during deceleration, range is 0.0 to 400.0 Hz	X ✓	0.0	0.0	Hz
	ARV DEC 0000.0Hz					
C044	PID deviation level setting	Sets the allowable PID loop error magnitude (absolute value), SP - PV, range is 0.0 to 100%, resolution is 0.1%	X ✓	3.0	3.0	%
	ARV PID 003.0%					
C052	PID FBV function high limit	When the PV exceeds this value, the PID loop turns OFF the PID Second Stage Output, range is 0.0 to 100.0%	X ✓	100.0	100.0	%
	PID LtU 0100.0%					
C053	PID FBV function variable low limit	When the PV goes below this value, the PID loop turns ON the PID Second Stage Output, range is 0.0 to 100.0%	X ✓	0.0	0.0	%
	PID LtL 0000.0%					

Network Communication Settings

The following table lists parameters that configure the inverter’s serial communications port. The settings affect how the inverter communicates with a digital operator (such as SRW-0EX), as well as a ModBus network (for networked inverter applications). The settings cannot be edited via the network, in order to ensure network reliability. Refer to “ModBus Network Communications” on page B-1 for more information on controlling and monitoring your inverter from a network.

“C” Function			Run Mode Edit Lo Hi	Defaults		
Func. Code	Name / SRW Display	Description		-FE(F) (EU)	-FU (USA)	Units
C071	Communication speed selection	Three option codes: 04... 4800 bps 05... 9600 bps 06... 19200 bps	X ✓	06	04	baud
	COM BAU	4800				
C072	Node allocation	Set the address of the inverter on the network. Range is 1 to 32.	X ✓	1.	.1	—
	COM ADR					
C074	Communication parity selection	Three option codes: 00... No parity 01... Even parity 02... Odd parity	X ✓	00	00	—
	COM PRTY	NON				
C075	Communication stop bit selection	Range is 1 to 2	X ✓	1	1	—
	COM STP					
C076	Communication error select	Selects inverter response to communications error. Five options: 00... Trip (error code E60) 01... Decelerate to a stop and trip (error code E60) 02... Disable 03... Free run stop (coasting) 04... Decelerate to a stop	X ✓	02	02	—
	COM ESlect	None				
C077	Communication error time-out	Sets the communications watchdog timer period. Range is 0.00 to 99.99 sec.	X ✓	0.00	0.00	sec.
	COM ETIM	000.00s				
C078	Communication wait time	Time the inverter waits after receiving a message before it transmits. Range is 0. to 1000. ms	X ✓	0.	0.	msec.
	COM Wait	00000ms				

Analog Signal Calibration Settings

The functions in the following table configure the signals for the analog output terminals. Note that these settings do not change the current/voltage or sink/source characteristics—only the zero and span (scaling) of the signals.

“C” Function			Run Mode Edit Lo Hi	Defaults		
Func. Code	Name / SRW Display	Description		-FE(F) (EU)	-FU (USA)	Units
C081	O input span calibration	Scale factor between the external frequency command on terminals L – O (voltage input) and the frequency output, range is 0.0 to 200.0%	✓ ✓	100.0	100.0	%
	O-ADJ 0100.0%					
C082	OI input span calibration	Scale factor between the external frequency command on terminals L – OI (current input) and the frequency output, range is 0.0 to 200.0%	✓ ✓	100.0	100.0	%
	OI-ADJ 0100.0%					
C085	Thermistor input tuning	Range is 0.0 to 200.0%	✓ ✓	100.0	100.0	%
	PTC Adj 0100.0%					
C086	[AM] terminal offset tuning	Range is 0.0 to 10.0V	✓ ✓	0.0	0.0	V
	AM-OFFST 0000.0V					



NOTE: When you restore factory default settings, the values will change to those listed above. Be sure to manually reconfigure the values for your application, if needed, after restoring factory defaults.

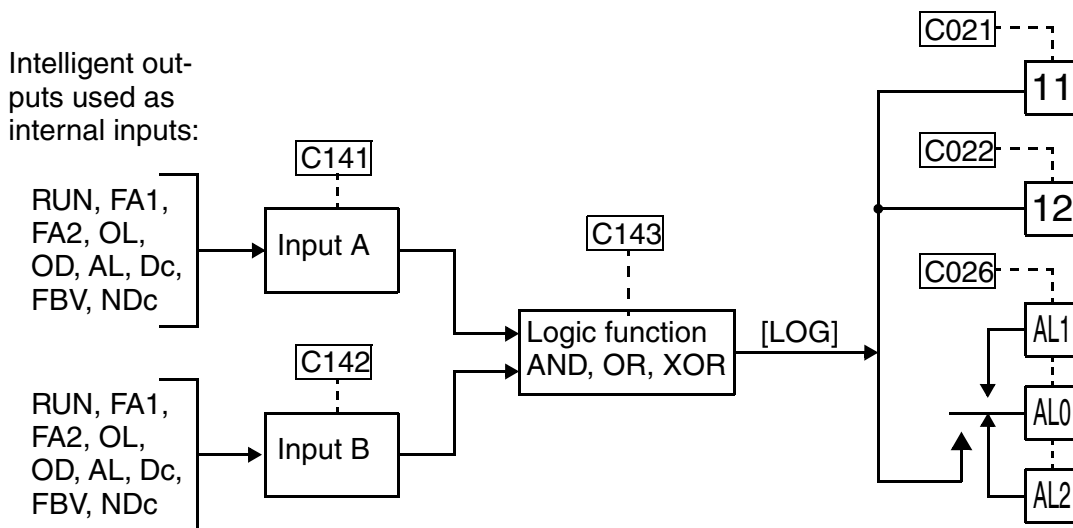
Miscellaneous Functions

The following table contains miscellaneous functions not in other function groups.

"C" Function			Run Mode Edit Lo Hi	Defaults		
Func. Code	Name / SRW Display	Description		-FE(F) (EU)	-FU (USA)	Units
C091	Debug mode enable	Displays debug parameters. Two option codes: 00... Disable 01... Enable	✓ ✓	00	00	—
	DBG Slct OFF					
C101	Up/Down memory mode selection	Controls speed setpoint for the inverter after power cycle. Two option codes: 00... Clear last frequency (return to default frequency F001) 01... Keep last frequency adjusted by UP/DWN	✗ ✓	00	00	—
	UP/DWN NO-STR					
C102	Reset selection	Determines response to Reset input [RST]. Three option codes: 00... Cancel trip state at input signal ON transition, stops inverter if in Run Mode 01... Cancel trip state at signal OFF transition, stops inverter if in Run Mode 02... Cancel trip state at input signal ON transition, no effect if in Run Mode	✗ ✓	00	00	—
	RS Slct ON					

Output Logic and Timing

Logic Output Function – The inverter has a built-in logic output feature. You can select any two of the other nine intelligent output options for internal inputs. Then, configure the logic function to apply the logical AND, OR, or XOR (exclusive OR) operator as desired to the two inputs. The terminal symbol for the new output is [LOG]. Use C021, C022, or C026 to route the logical result to terminal [11], [12], or the relay terminals.



The following table shows all four possible logic input combinations with each of the three available logical operations.

Input States		[LOG] Output State		
A	B	AND	OR	XOR
0	0	0	0	0
0	1	0	1	1
1	0	0	1	1
1	1	1	1	0

“C” Function			Run Mode Edit Lo Hi	Defaults		
Func. Code	Name / SRW Display	Description		-FE(F) (EU)	-FU (USA)	Units
C141	Input A select for logic output	9 programmable functions available for logic (discrete) outputs	x x	00	00	—
	LogicOut1 RUN					
C142	Input B select for logic output		x x	01	01	
	LogicOut2 FA1					

"C" Function			Run Mode Edit Lo Hi	Defaults		
Func. Code	Name / SRW Display	Description		-FE(F) (EU)	-FU (USA)	Units
C143	Logic function select	Applies a logic function to calculate [LOG] output state, three options: 00... [LOG] = A AND B 01... [LOG] = A OR B 02... [LOG] = A XOR B	X X	00	00	—
	LogicOPE AND					

Output Signal ON/OFF Delay Function - Intelligent outputs including terminals [11], [12], and the output relay, have configurable signal transition delays. Each output can delay either the OFF-to-ON or ON-to-OFF transitions, or both. Signal transition delays are variable from 0.1 to 100.0 seconds. This feature is useful in applications that must tailor inverter output signals to meet timing requirements of certain external devices.

"C" Function			Run Mode Edit Lo Hi	Defaults		
Func. Code	Name / SRW Display	Description		-FE(F) (EU)	-FU (USA)	Units
C144	Terminal [11] ON delay	Range is 0.0 to 100.0 sec.	X ✓	0.0	0.0	sec.
	DLAY 11 0000.0s					
C145	Terminal [11] OFF delay	Range is 0.0 to 100.0 sec.	X ✓	0.0	0.0	sec.
	HOLD 11 0000.0s					
C146	Terminal [12] ON delay	Range is 0.0 to 100.0 sec.	X ✓	0.0	0.0	sec.
	DLAY 12 0000.0s					
C147	Terminal [12] OFF delay	Range is 0.0 to 100.0 sec.	X ✓	0.0	0.0	sec.
	HOLD 12 0000.0s					
C148	Output relay ON delay	Range is 0.0 to 100.0 sec.	X ✓	0.0	0.0	sec.
	DLAY RY 0000.0s					
C149	Output relay OFF delay	Range is 0.0 to 100.0 sec.	X ✓	0.0	0.0	sec.
	HOLD RY 0000.0s					



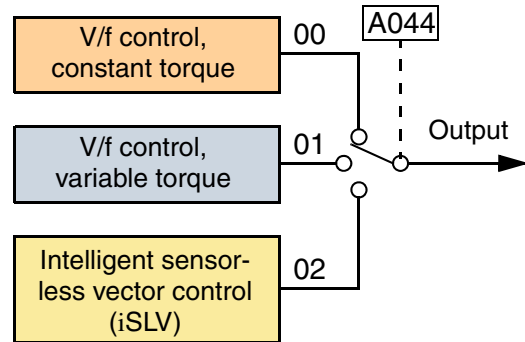
NOTE: If you are using the output terminal OFF delay feature (any of C145, C147, C149 > 0.0 sec.), the [RS] (Reset) terminal affects the ON-to-OFF transition slightly. Normally (without using OFF delays), the [RS] input causes the motor output and the logic outputs to turn OFF together, immediately. However, when any output uses an OFF delay, then after the [RS] input turns ON, that output will remain ON for an additional 1 sec. period (approximate) before turning OFF.

“H” Group: Motor Constants Functions

The “H” Group parameters configure the inverter for the motor characteristics. You must manually set H003 and H004 values to match the motor. Parameters H006 and H007 are factory-set. If you want to reset the parameters to the factory default settings, use the procedure in “Restoring Factory Default Settings” on page 6–8.

Other motor parameters are automatically calculated and used when the inverter is in intelligent sensorless vector control (iSLV) mode. Use A044 to select the torque control algorithm as shown in the diagram. The Sj2002 inverter’s iSLV mode eliminates the need for manual entry of additional motor parameters, or even for doing an auto-tuning procedure.

Inverter Torque Control Algorithms



“H” Function			Run Mode Edit Lo Hi	Defaults		Units			
Func. Code	Name / SRW Display	Description		-FE(F) (EU)	-FU (USA)				
H003	Motor capacity	Nine selections: 0.2 / 0.4 / 0.75 / 1.5 / 2.2 / 3.7 5.5 / 7.5 / 11	X X	Specified by the capacity of each inverter model		kW			
	AUX K 0.4 kW								
H203	Motor capacity, 2nd setting	Nine selections: 0.2 / 0.4 / 0.75 / 1.5 / 2.2 / 3.7 5.5 / 7.5 / 11	X X						kW
	2AUXK 0.4 kW								
H004	Motor poles setting	Four selections: 2 / 4 / 6 / 8	X X	4	4	poles			
	AUX P 4P								
H204	Motor poles setting, 2nd motor	Four selections: 2 / 4 / 6 / 8	X X	4	4	poles			
	2AUXP 4P								
H006	Motor stabilization constant	Motor constant (factory set), range is 0 to 255	✓ ✓	100	100	—			
	AUX KCD 100								
H206	Motor stabilization constant, 2nd motor	Motor constant (factory set), range is 0 to 255	✓ ✓	100	100	—			
	2AUXKCD 100								
H007	Motor voltage select	Two selections, option codes: 00 .. 200V 01 .. 400V	X X	Factory set according to inverter model		V			
	AUX Volt 200V								
H207	Motor voltage select, 2nd motor	Two selections, option codes: 00 .. 200V 01 .. 400V	X X					V	
	2AUXVolt 200V								

“P” Group: Expansion Card Functions

The (optional) expansion card for the SJ2002 inverter has associated configuration data. The following table defines the functions and their value ranges. Please refer to the expansion card manual for more details.



NOTE: The “P” Group parameters do not appear in the parameter list shown on the keypad display unless the expansion card is installed on the inverter.

“P” Function			Run Mode Edit Lo Hi	Defaults		
Func. Code	Name / SRW Display	Description		-FE(F) (EU)	-FU (USA)	Units
P044	Network comm watchdog timer	Range is 0.00 to 99.99	X X	1.00	1.00	sec.
	TIMER					
P045	Inverter action on network comm error	Five options: 00... Trip (Error Code E70) 01... Decelerate to stop and trip (Error Code E70) 02... Hold last speed 03... Free run stop 04... Decelerate and stop	X X	01	01	—
	T-OUT					
P046	Polled I/O output instance number	Three settings: 20, 21, 100	X X	21	21	—
	O-AS-INS					
P047	Polled I/O input instance number	Three settings: 70, 71, 101	X X	71	71	—
	O-AS-INS					
P048	Inverter action on network idle mode	Five options: 00... Trip (Error Code E70) 01... Decelerate to stop and trip (Error Code E70) 02... Hold last speed 03... Free run stop 04... Decelerate and stop	X X	01	01	—
	IDLE					
P049	Network motor poles setting for RPM	Range is 00 to 38 (even numbers only)	X X	0	0	—
	P					

Operations and Monitoring



4

In This Chapter....	page
— Introduction	2
— Connecting to PLCs and Other Devices	4
— Control Logic Signal Specifications	6
— Intelligent Terminal Listing	7
— Using Intelligent Input Terminals	9
— Using Intelligent Output Terminals	36
— Analog Input Operation	54
— Analog Output Operation	56
— PID Loop Operation	57
— Configuring the Inverter for Multiple Motors ...	59

Introduction

The previous material in Chapter 3 gave a reference listing of all the programmable functions of the inverter. We suggest that you first scan through the listing of inverter functions to gain a general familiarity. This chapter will build on that knowledge in the following ways:

- 1. Related functions** – Some parameters interact with or depend on the settings in other functions. This chapter lists “required settings” for a programmable function to serve as a cross-reference and an aid in showing how functions interact.
- 2. Intelligent terminals** – Some functions rely on an input signal on a control logic connector terminal, or generate output signals in other cases.
- 3. Electrical interfaces** – This chapter shows how to make connections between the inverter and other electrical devices.
- 4. PID Loop Operation** – The SJ2002 has a built-in PID loop that calculates the optimal inverter output frequency to control an external process. This chapter shows the parameters and input/output terminals associated with PID loop operation.
- 5. Multiple motors** – A single SJ2002 inverter may be used with two or more motors in some types of applications. This chapter shows the electrical connections and inverter parameters involved in multiple-motor applications.

The topics in this chapter can help you decide the features that are important to your application, and how to use them. The basic installation covered in Chapter 2 concluded with the powerup test and running the motor. Now, this chapter starts from that point and shows how to make the inverter part of a larger control or automation system.

Caution Messages for Operating Procedures

Before continuing, please read the following Caution messages.



CAUTION: The heat sink fins will have a high temperature. Be careful not to touch them. Otherwise, there is the danger of getting burned.



CAUTION: The operation of the inverter can be easily changed from low speed to high speed. Be sure check the capability and limitations of the motor and machine before operating the inverter. Otherwise, it may cause injury to personnel.



CAUTION: If you operate a motor at a frequency higher than the inverter standard default setting (50Hz/60Hz), be sure to check the motor and machine specifications with the respective manufacturer. Only operate the motor at elevated frequencies after getting their approval. Otherwise, there is the danger of equipment damage.

Warning Messages for Operating Procedures

Before continuing, please read the following Warning messages.



WARNING: Be sure to turn ON the input power supply only after closing the front case. While the inverter is energized, be sure not to open the front case. Otherwise, there is the danger of electric shock.



WARNING: Be sure not to operate electrical equipment with wet hands. Otherwise, there is the danger of electric shock.



WARNING: While the inverter is energized, be sure not to touch the inverter terminals even when the motor is stopped. Otherwise, there is the danger of electric shock.



WARNING: If the Retry Mode is selected, the motor may suddenly restart after a trip stop. Be sure to stop the inverter before approaching the machine (be sure to design the machine so that safety for personnel is secure even if it restarts.) Otherwise, it may cause injury to personnel.



WARNING: If the power supply is cut OFF for a short period of time, the inverter may restart operation after the power supply recovers if the Run command is active. If a restart may pose danger to personnel, so be sure to use a lock-out circuit so that it will not restart after power recovery. Otherwise, it may cause injury to personnel.



WARNING: The Stop Key is effective only when the Stop function is enabled. Be sure to enable the Stop Key separately from the emergency stop. Otherwise, it may cause injury to personnel.



WARNING: During a trip event, if the alarm reset is applied and the Run command is present, the inverter will automatically restart. Be sure to apply the alarm reset only after verifying the Run command is OFF. Otherwise, it may cause injury to personnel.



WARNING: Be sure not to touch the inside of the energized inverter or to put any conductive object into it. Otherwise, there is a danger of electric shock and/or fire.



WARNING: If power is turned ON when the Run command is already active, the motor will automatically start and injury may result. Before turning ON the power, confirm that the RUN command is not present.



WARNING: When the Stop key function is disabled, pressing the Stop key does not stop the inverter, nor will it reset a trip alarm.



WARNING: Be sure to provide a separate, hard-wired emergency stop switch when the application warrants it.

Connecting to PLCs and Other Devices

Hitachi inverters (drives) are useful in many types of applications. During installation, the inverter keypad (or other programming device) will facilitate the initial configuration. After installation, the inverter will generally receive its control commands through the control logic connector or serial interface from another controlling device. In a simple application such as single-conveyor speed control, a Run/Stop switch and potentiometer will give the operator all the required control. In a sophisticated application, you may have a *programmable logic controller* (PLC) as the system controller, with several connections to the inverter.

It is not possible to cover all the possible types of application in this manual. It will be necessary for you to know the electrical characteristics of the devices you want to connect to the inverter. Then, this section and the following sections on I/O terminal functions can help you quickly and safely connect those devices to the inverter.



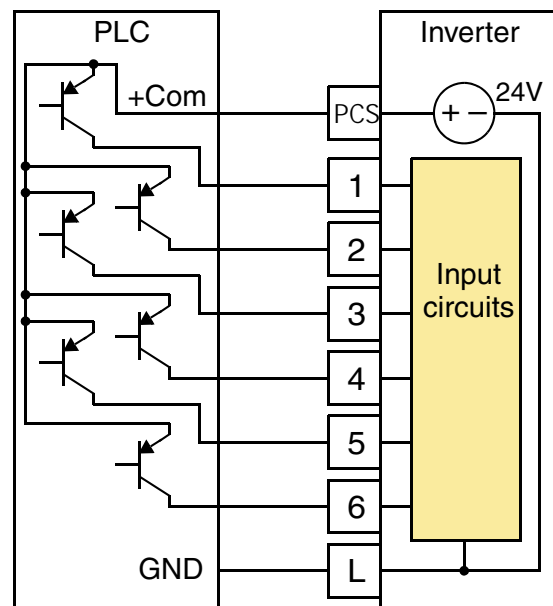
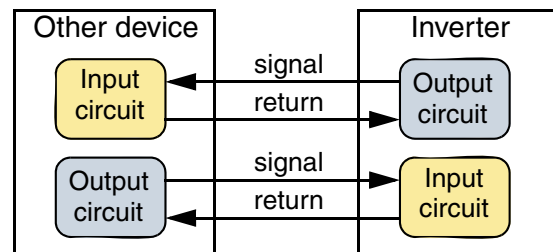
CAUTION: It is possible to damage the inverter or other devices if your application exceeds the maximum current or voltage characteristics of a connection point.

The connections between the inverter and other devices rely on the electrical input/output characteristics at both ends of each connection, shown in the diagram to the right. The inverter's configurable inputs accept either a sourcing or sinking output from an external device (such as a PLC). This chapter shows the inverter's internal electrical component(s) at each I/O terminal. In some cases, you will need to insert a power source in the interface wiring.

In order to avoid equipment damage and get your application running smoothly, we recommend drawing a schematic of each connection between the inverter and the other device. Include the internal components of each device in the schematic, so that it makes a complete circuit loop.

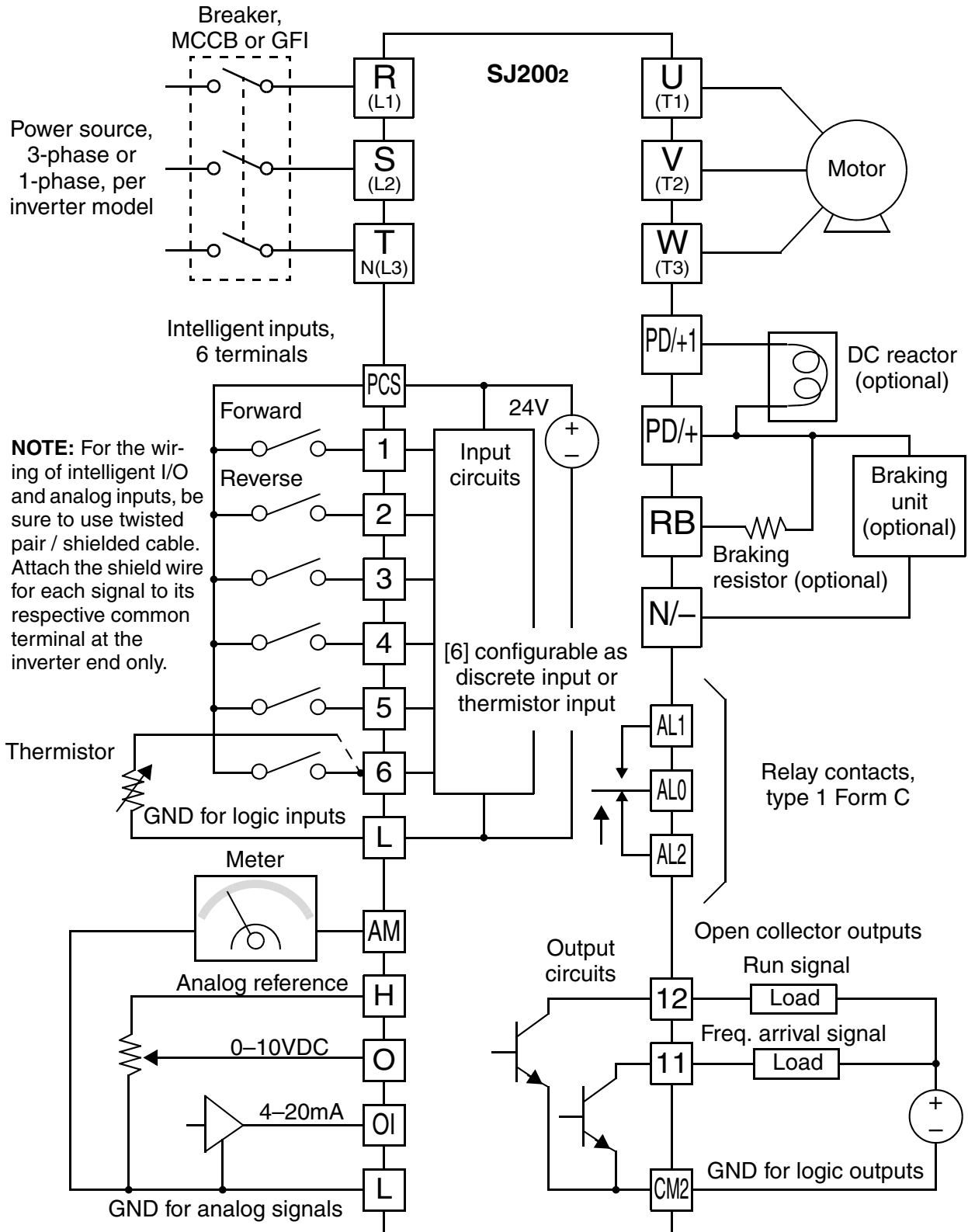
After making the schematic, then:

1. Verify that the current and voltage for each connection is within the operating limits of each device.
2. Make sure that the logic sense (active high or active low) of any ON/OFF connection is correct.
3. Check the zero and span (curve end points) for analog connections, and be sure the scale factor from input to output is correct.
4. Understand what will happen at the system level if any particular device suddenly loses power, or powers up after other devices.



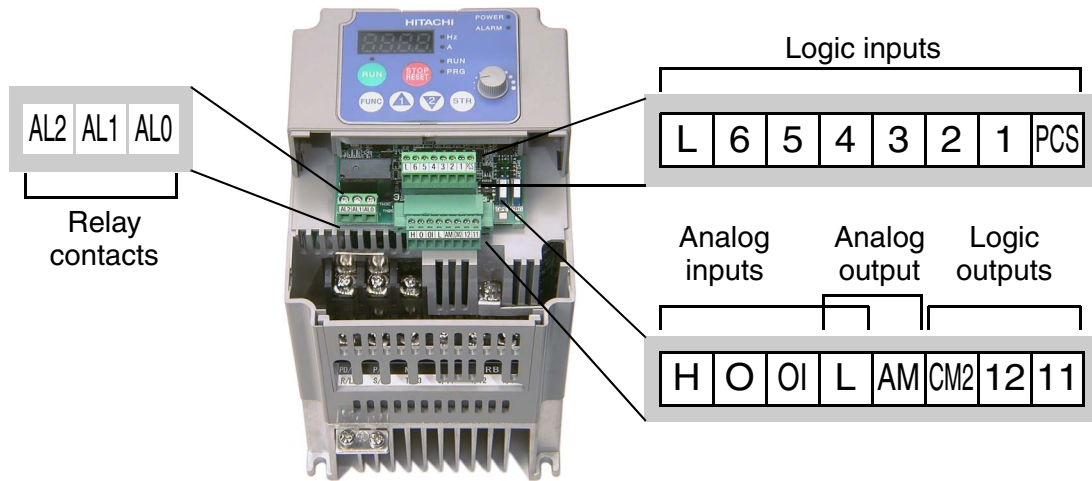
Example Wiring Diagram

The schematic diagram below provides a general example of logic connector wiring, in addition to basic power and motor wiring covered in Chapter 2. The goal of this chapter is to help you determine the proper connections for the various terminals shown below for your specific application needs.



Control Logic Signal Specifications

The control logic connectors are located just behind the front housing cover. The relay contacts are just to the left of the logic connectors. Connector labeling is shown below.



Specifications for the logic connection terminals are in the following table:

Terminal Name	Description	Ratings
[PCS]	+24V for logic inputs	24VDC, 100 mA max. (do not short to terminal L)
[1], [2], [3], [4], [5], [6]	Discrete logic inputs	27VDC max. (use PCS or an external supply referenced to terminal L)
[L] (top row) *1	GND for logic inputs	sum of input [1]—[6] currents (return)
[11], [12]	Discrete logic outputs	50mA maximum ON state current, 27 VDC maximum OFF state voltage
[CM2]	GND for logic outputs	100 mA: sum of 11 and 12 currents (return)
[AM]	Analog voltage output	0 to 10VDC, 1mA maximum
[L] (bottom row) *2	GND for analog signals	sum of OI, O, H, and AM currents (return)
[OI]	Analog input, current	4 to 19.6 mA range, 20 mA nominal, input impedance 250 Ω
[O]	Analog input, voltage	0 to 9.8 VDC range, 10VDC nominal, input impedance 10 k Ω
[H]	+10V analog reference	10VDC nominal, 10 mA max
[AL0]	Relay common contact	250 VAC, 2.5A (R load) max., 250 VAC, 0.2A (I load, P.F.=0.4) max. 100 VAC, 10mA min.
[AL1] *3	Relay contact, normally open	
[AL2] *3	Relay contact, normally closed	30 VDC, 3.0A (R load) max. 30 VDC, 0.7A (I load, P.F.=0.4) max. 5 VDC, 100mA min.

Note 1: The two terminals [L] are electrically connected together inside the inverter.

Note 2: We recommend using the top row [L] logic GND for logic input circuits and the [L] GND on the bottom row of terminals for analog I/O circuits.

Note 3: Default relay N.O./N.C. configuration is reversed. See page 4-37.

Intelligent Terminal Listing

Intelligent Inputs

Use the following table to locate pages for intelligent input material in this chapter.

Intelligent INPUTS			
Symbol	Code	Name	Page
FW	00	Forward Run/Stop	4-12
RV	01	Reverse Run/Stop	4-12
CF1	02	Multi-speed Select, Bit 0 (LSB)	4-13
CF2	03	Multi-speed Select, Bit 1	4-13
CF3	04	Multi-speed Select, Bit 2	4-13
CF4	05	Multi-speed Select, Bit 3	4-13
JG	06	Jogging	4-16
DB	07	External DC Braking	4-17
SET	08	Set Second Motor	4-18
2CH	09	2-stage Acceleration and Deceleration	4-19
FRS	11	Free-run Stop	4-20
EXT	12	External Trip	4-21
USP	13	Unattended Start Protection	4-22
SFT	15	Software Lock	4-23
AT	16	Analog Input Voltage/current Select	4-24
RS	18	Reset Inverter	4-25
PTC	19	Thermistor Thermal Protection	4-26
STA	20	Start (3-wire interface)	4-27
STP	21	Stop (3-wire interface)	4-27
F/R	22	FWD, REV (3-wire interface)	4-27
PID	23	PID Disable	4-29
PIDC	24	PID Reset	4-29
UP	27	Remote Control UP Function	4-30
DWN	28	Remote Control DOWN Function	4-30
UDC	29	Remote Control Data Clearing	4-30
OPE	31	Operator Control	4-32
ADD	50	ADD Frequency Enable	4-33
F-TM	51	Force Terminal Mode	4-34
RDY	52	Quick Start Enable	4-35
S-ST	53	Special-Set Second Motor	4-18

Intelligent Outputs

Use the following table to locate pages for intelligent output material in this chapter.

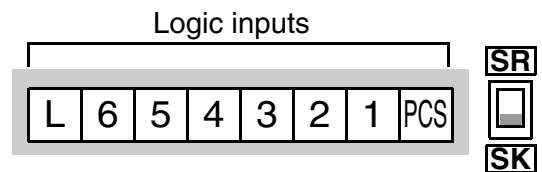
Intelligent OUTPUTS			
Symbol	Code	Name	Page
RUN	00	Run Signal	4-39
FA1	01	Frequency Arrival Type 1 – Constant Speed	4-40
FA2	02	Frequency Arrival Type 2 – Over-frequency	4-40
OL	03	Overload Advance Notice Signal	4-42
OD	04	Output Deviation for PID Control	4-43
AL	05	Alarm Signal	4-44
Dc	06	Analog Input Disconnect Detect	4-46
FBV	07	Feedback Value Check	4-47
NDc	08	Network Detection Signal	4-50
LOG	09	Logic Output	4-51
ODc	10	Option Card Detection Signal	4-53

Using Intelligent Input Terminals

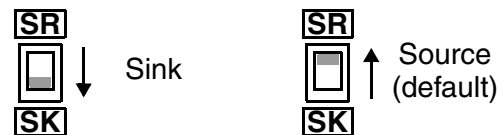
Terminals [1], [2], [3], [4], [5], and [6] are identical, programmable inputs for general use. The input circuits can use the inverter's internal (isolated) +24V field supply or an external power supply. This section describes input circuits operation and how to connect them properly to switches or transistor outputs on field devices.

The SJ2002 inverter features selectable *sinking* or *sourcing* inputs. These terms refer to the connection to the external switching device—it either *sinks* current (from the input to GND) or *sources* current (from a power source) into the input. Note that the sink/source naming convention may be different in your particular country or industry. In any case, the just follow the wiring diagrams in this section for your application.

The inverter has a DIP switch for configuring the choice of sinking or sourcing inputs. To access it, you must remove the front cover of the inverter housing. In the figure to the right, the SR/SK switch (“source/sink switch”) is shown as located on the circuit board, at the right end of the logic signal connector. DO NOT confuse it with the two, larger configuration switches nearby. The circuit board has the SR and SK markings above and below the switch as shown.



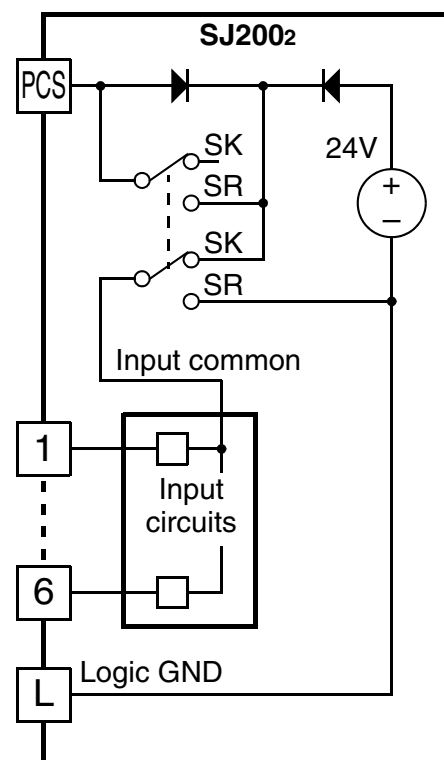
Legend:



CAUTION: Be sure to turn OFF power to the inverter before changing the SR/SK switch position. Otherwise, damage to the inverter circuitry may occur.

[PCS] Terminal Wiring - The [PCS] terminal (Programmable Control System terminal) is named to include various devices that can connect to the inverter's logic inputs. In the figure to the right, note the [PCS] terminal and the nearby diodes and DPDT switch. The upper part of the SR/SK switch selects between connecting the inverter's +24V *internal supply* to [PCS] or allowing an external supply power to connect. The lower part of the SR/SK switch selects between connecting the input circuit *common* node to either Logic GND or the +24V supply.

The wiring diagrams on the following pages show the four combinations of using sourcing or sinking inputs, and using the internal or an external DC supply.

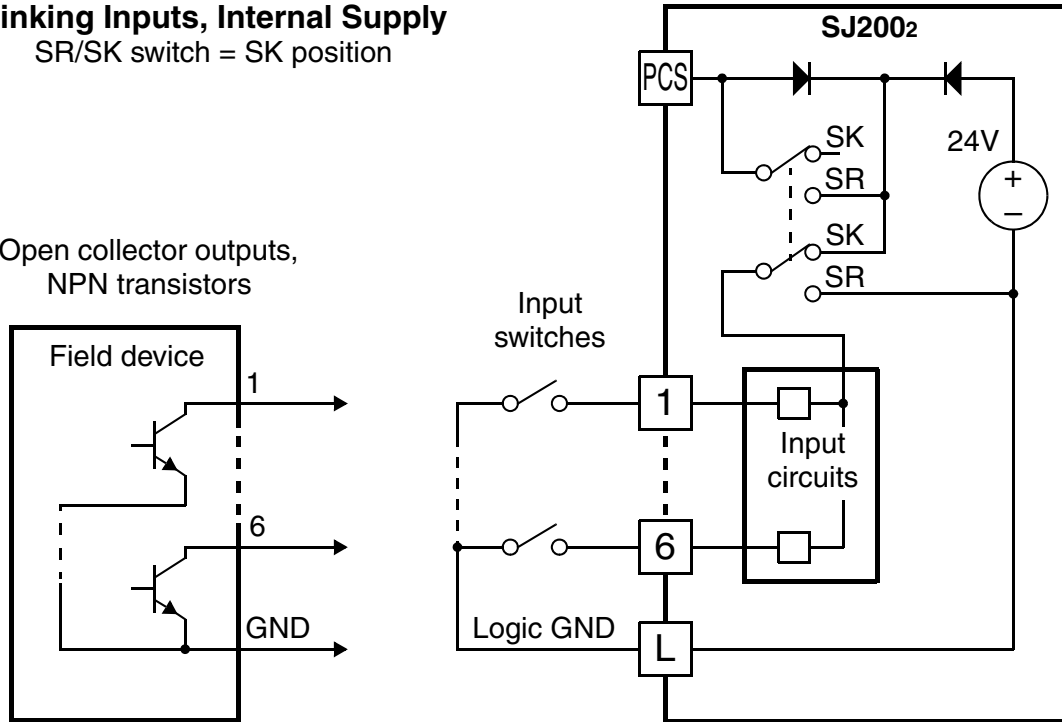


The two diagrams below show input wiring circuits using the inverter's internal +24V supply. Each diagram shows the connection for simple switches, or for a field device with transistor outputs. Note that in the lower diagram, it is necessary to connect terminal [L] only when using the field device with transistors. Be sure to use the correct SR/SK switch position shown for each wiring diagram.

Sinking Inputs, Internal Supply

SR/SK switch = SK position

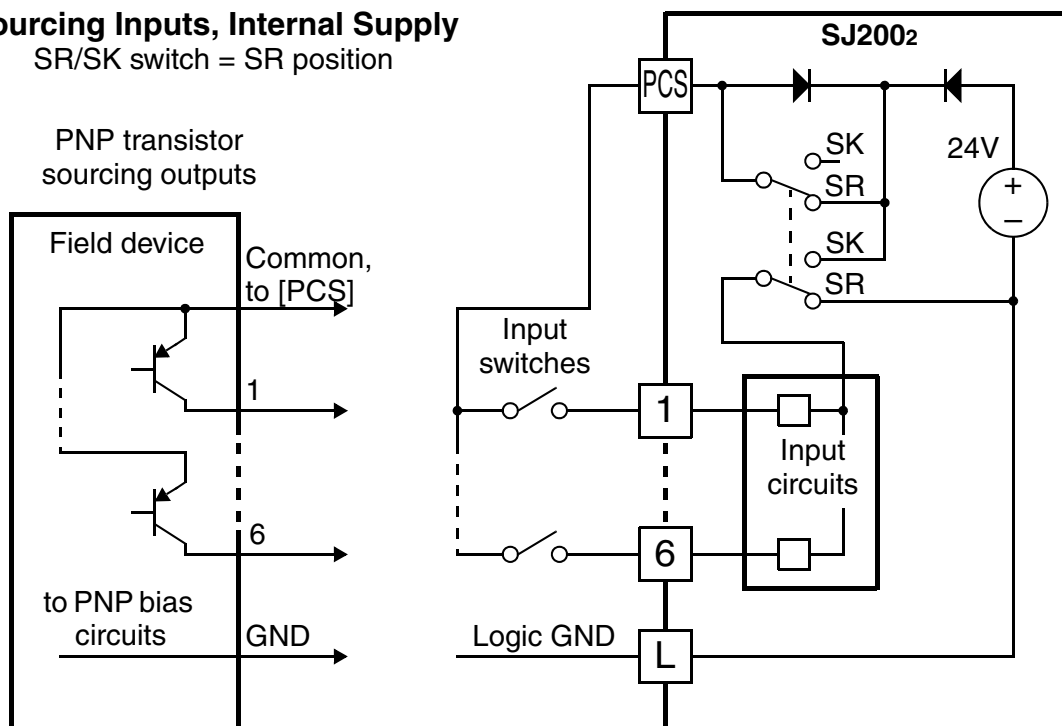
Open collector outputs,
NPN transistors



Sourcing Inputs, Internal Supply

SR/SK switch = SR position

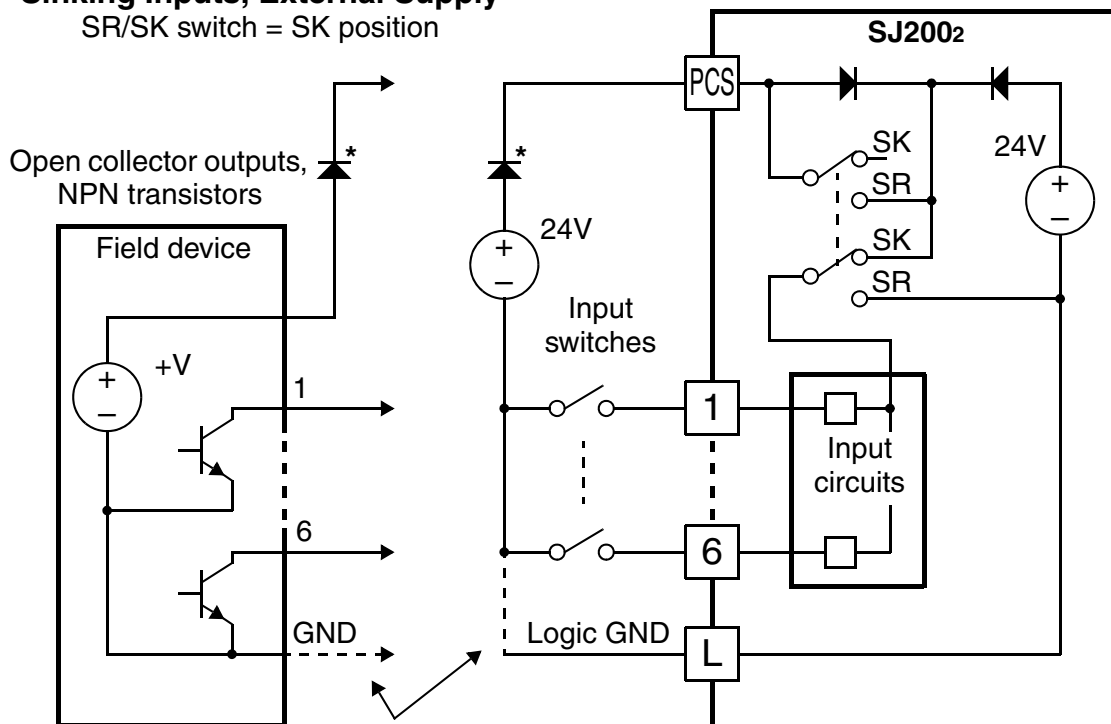
PNP transistor
sourcing outputs



The two diagrams below show input wiring circuits using an external supply. If using the upper wiring diagram, be sure to use a diode with the external supply. This will prevent a power supply contention in case the SR/SK switch is accidentally placed in the incorrect position. Be sure to use the correct SR/SK switch position shown for each wiring diagram.

Sinking Inputs, External Supply

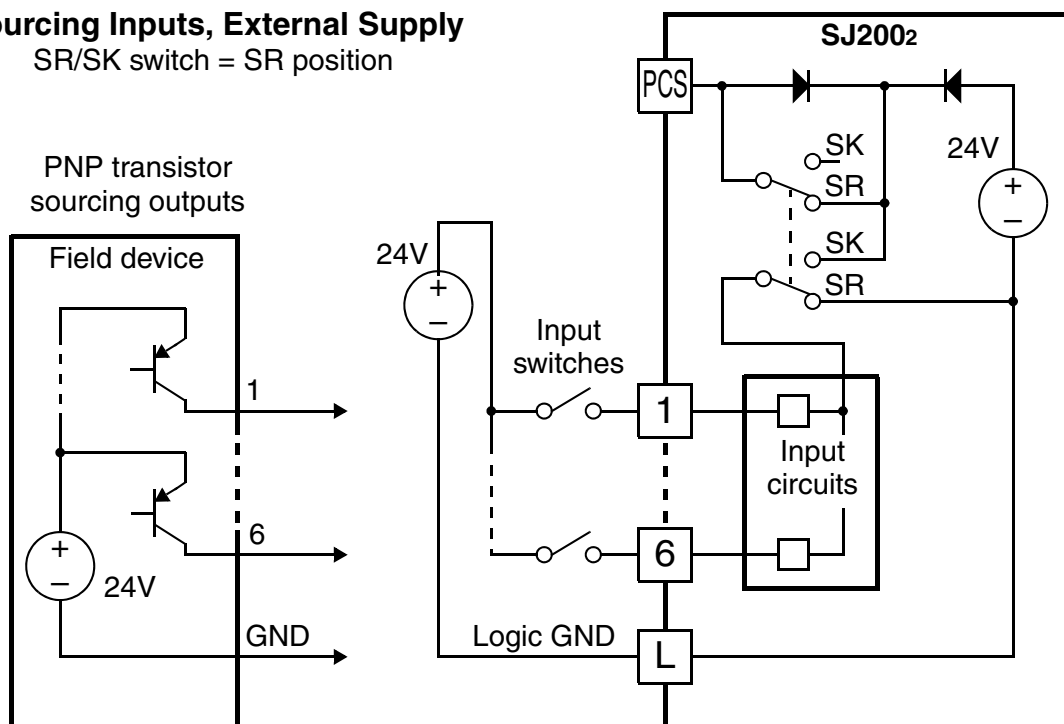
SR/SK switch = SK position



* Note: If the external power supply GND is (optionally) connected to [L], then install the above diode.

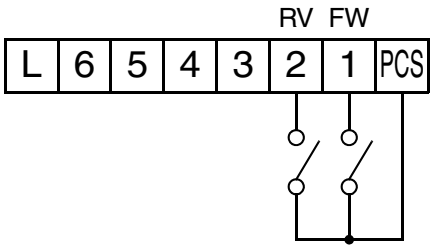
Sourcing Inputs, External Supply

SR/SK switch = SR position



Forward Run/Stop and Reverse Run/Stop Commands:

When you input the Run command via the terminal [FW], the inverter executes the Forward Run command (high) or Stop command (low). When you input the Run command via the terminal [RV], the inverter executes the Reverse Run command (high) or Stop command (low).

Option Code	Terminal Symbol	Function Name	State	Description
00	FW	Forward Run/Stop	ON	Inverter is in Run Mode, motor runs forward
			OFF	Inverter is in Stop Mode, motor stops
01	RV	Reverse Run/Stop	ON	Inverter is in Run Mode, motor runs reverse
			OFF	Inverter is in Stop Mode, motor stops
Valid for inputs:		C001, C002, C003, C004, C005, C006		Example (default input configuration shown—see page 3-45): 
Required settings:		A002 = 01		
Notes: <ul style="list-style-type: none"> When the Forward Run and Reverse Run commands are active at the same time, the inverter enters the Stop Mode. When a terminal associated with either [FW] or [RV] function is configured for <i>normally closed</i>, the motor starts rotation when that terminal is disconnected or otherwise has no input voltage. 				

See I/O specs on page 4-6.



NOTE: The parameter F004, Keypad Run Key Routing, determines whether the single Run key issues a Run FWD command or Run REV command. However, it has no effect on the [FW] and [RV] input terminal operation.



WARNING: If the power is turned ON and the Run command is already active, the motor starts rotation and is dangerous! Before turning power ON, confirm that the Run command is not active.

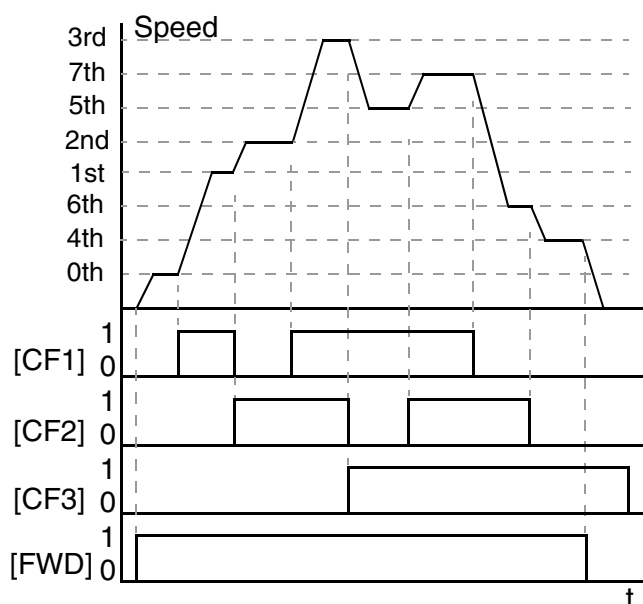
Multi-Speed Select

The inverter can store up to 16 different target frequencies (speeds) that the motor output uses for steady-state run condition. These speeds are accessible through programming four of the intelligent terminals as binary-encoded inputs CF1 to CF4 per the table to the right. These can be any of the six inputs, and in any order. You can use fewer inputs if you need eight or fewer speeds.



Note: When choosing a subset of speeds to use, always start at the top of the table, and with the least-significant bit: CF1, CF2, etc.

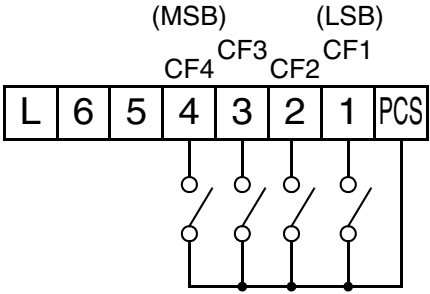
The example with eight speeds in the figure below shows how input switches configured for CF1–CF3 functions can change the motor speed in real time.



Multi-speed	Input Function			
	CF4	CF3	CF2	CF1
Speed 0	0	0	0	0
Speed 1	0	0	0	1
Speed 2	0	0	1	0
Speed 3	0	0	1	1
Speed 4	0	1	0	0
Speed 5	0	1	0	1
Speed 6	0	1	1	0
Speed 7	0	1	1	1
Speed 8	1	0	0	0
Speed 9	1	0	0	1
Speed 10	1	0	1	0
Speed 11	1	0	1	1
Speed 12	1	1	0	0
Speed 13	1	1	0	1
Speed 14	1	1	1	0
Speed 15	1	1	1	1

NOTE: Speed 0 is set by the A020 parameter value.

Multi-speed Override Feature - The multi-speed function can selectively override the external analog speed reference input. When the Frequency Source Setting parameter A001=01, the control terminal inputs determine the output frequency. At the same time, the inverter can use multi-speed select for output frequency if one or more intelligent inputs are configured as a CF type (CF1 to CF4). When all CF input(s) are OFF, the control terminal input determines the output frequency normally. When one or more CF input(s) are ON, then the corresponding multi-speed setting (see the table above) overrides and becomes the output frequency.

Option Code	Terminal Symbol	Function Name	Input State	Description
02	CF1	Multi-speed Select, Bit 0 (LSB)	ON	Binary encoded speed select, Bit 0, logical 1
			OFF	Binary encoded speed select, Bit 0, logical 0
03	CF2	Multi-speed Select, Bit 1	ON	Binary encoded speed select, Bit 1, logical 1
			OFF	Binary encoded speed select, Bit 1, logical 0
04	CF3	Multi-speed Select, Bit 2	ON	Binary encoded speed select, Bit 2, logical 1
			OFF	Binary encoded speed select, Bit 2, logical 0
05	CF4	Multi-speed Select, Bit 3 (MSB)	ON	Binary encoded speed select, Bit 3, logical 1
			OFF	Binary encoded speed select, Bit 3, logical 0
Valid for inputs:		C001, C002, C003, C004, C005, C006		Example (some CF inputs require input configuration; some are default inputs—see page 3-45): 
Required settings:		F001, A001 = 02, A020 to A035		
Notes:		<ul style="list-style-type: none"> When programming the multi-speed settings, be sure to press the Store key each time and then set the next multi-speed setting. Note that when the key is not pressed, no data will be set. When a multi-speed setting more than 50Hz(60Hz) is to be set, it is necessary to program the maximum frequency A004 high enough to allow that speed. 		

See I/O specs on page 4-6.

While using the multi-speed capability, you can monitor the present frequency with monitor function D001 during each segment of a multi-speed operation.



NOTE: When using the Multi-speed Select settings CF1 to CF4, do not display parameter F001 or change the value of F001 while the inverter is in Run Mode (motor running). If it is necessary to check the value of F001 during Run Mode, please monitor D001 instead of F001.

There are two ways to program the speeds into the registers A020 to A035:

1. Standard keypad programming:
 - a. Select each parameter A020 to A035.
 - b. Press the **FUNC** key to view the parameter value.
 - c. Use the **▲** and **▼** keys to edit the value.
 - d. Use the **STR** key to save the data to memory.

2. Programming using the CF switches. Set the speed by following these steps:
 - a. Turn the Run command OFF (Stop Mode).
 - b. Turn inputs ON to select desired Multi-speed. Display the value of F001 on the digital operator.
 - c. Set the desired output frequency by pressing the \triangle and ∇ keys.
 - d. Press the STR key once to store the set frequency. When this occurs, F001 indicates the output frequency of Multi-speed n.
 - e. Press the FUNC key once to confirm that the indication is the same as the set frequency.
 - f. Repeat operations in 2. a) to 2. e) to set the frequency of other Multi-speeds. It can be set also by parameters A020 to A035 in the first procedure 1. a) to 1. d).

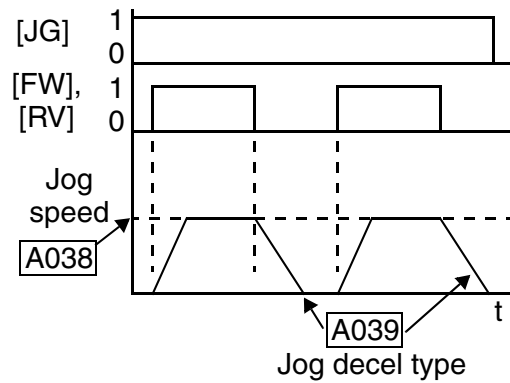
Jogging Command

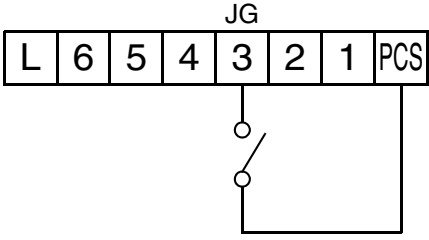
The Jog input [JG] is used to command the motor to rotate slowly in small increments for manual operation. The speed is limited to 10 Hz. The frequency for the jogging operation is set by parameter A038. Jogging does not use an acceleration ramp, so we recommend setting the jogging frequency A038 to 5 Hz or less to prevent tripping.

When the terminal [JG] is turned ON and the Run command is issued, the inverter outputs the programmed jog frequency to the motor. To enable the Run key on the digital operator for jog input, set the value 01 (terminal mode) in A002 (Run command source).

The type of deceleration used to end a motor jog operation is selectable by programming function A039. The options are:

- 00 Free-run stop (coasting)
- 01 Deceleration (normal level) and stop
- 02 Use DC braking and stop



Option Code	Terminal Symbol	Function Name	Input State	Description
06	JG	Jogging	ON	Inverter is in Run Mode, output to motor runs at jog parameter frequency
			OFF	Inverter is in Stop Mode
Valid for inputs:		C001, C002, C003, C004, C005, C006	Example (requires input configuration—see page 3-45): 	
Required settings:		A002= 01, A038 > B082, A038 > 0, A039		
Notes:				
<ul style="list-style-type: none"> • No jogging operation is performed when the set value of jogging frequency A038 is smaller than the start frequency B082, or the value is 0 Hz. • Be sure to stop the motor when switching the function [JG] ON or OFF. 			See I/O specs on page 4-6.	

External Signal for DC Braking

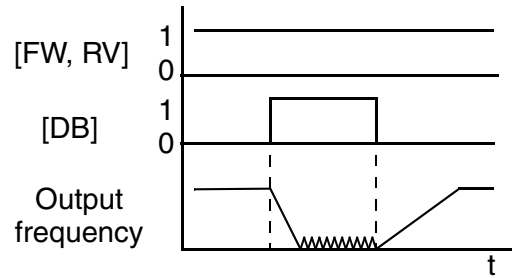
When the terminal [DB] is turned ON, the DC braking feature is enabled. Set the following parameters when the external DC braking terminal [DB] is to be used:

- A053 – DC braking delay time setting. The range is 0.1 to 5.0 seconds.
- A054 – DC braking force setting. The range is 0 to 100%.

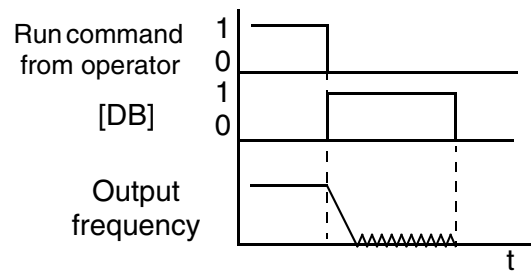
The scenarios to the right help show how DC braking works in various situations.

1. Scenario 1 – The [FW] or [RV] terminal is ON. When [DB] is ON, DC braking is applied. When [DB] is OFF again, the output frequency ramps to the prior level.
2. Scenario 2 – The Run command is applied from the operator keypad. When the [DB] terminal is ON, DC braking is applied. When the [DB] terminal is OFF again, the inverter output remains OFF.
3. Scenario 3 – The Run command is applied from the operator keypad. When the [DB] terminal is ON, DC braking is applied after the delay time set by A053 expires. The motor is in a free-running (coasting) condition. When the [DB] terminal is OFF again, the inverter output remains OFF.

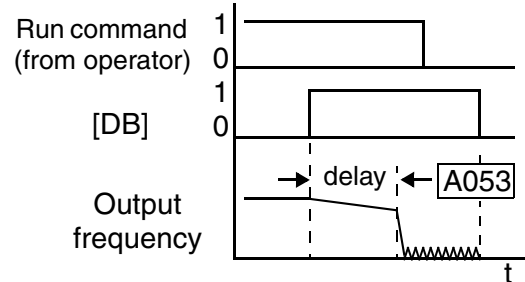
Scenario 1



Scenario 2



Scenario 3



Option Code	Terminal Symbol	Function Name	Input State	Description
07	DB	External DC Braking	ON	applies DC injection braking during deceleration
			OFF	does not apply DC injection braking during deceleration
Valid for inputs:		C001, C002, C003, C004, C005, C006	Example (requires input configuration—see page 3-45):	
Required settings:		A053, A054		
Notes:				
<ul style="list-style-type: none"> • Do not use the [DB] input continuously or for a long time when the DC braking force setting A054 is high (depends on the motor application). • Do not use the [DB] feature for continuous or high duty cycle as a holding brake. The [DB] input is designed to improve stopping performance. Use a mechanical brake for holding a stop position. 				
<p style="text-align: center;">DB</p> <p style="text-align: center;">L 6 5 4 3 2 1 PCS</p> <p style="text-align: center;">See I/O specs on page 4-6.</p>				

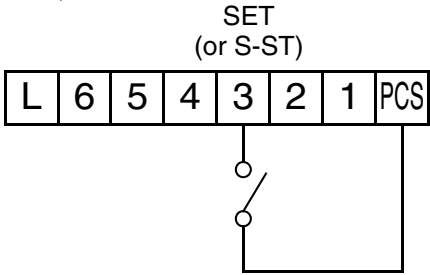
Set Second Motor and Special-Set Second Motor

If you assign the [SET] or [S-ST] function to an intelligent input terminal, you can select between two sets of motor parameters. The second parameters store an alternate set of motor characteristics. Two type of inputs are available:

- Set Second Motor - The inverter can select a different motor only in Stop Mode.
- Special-Set Second Motor - The inverter can select a different motor in either Stop Mode or Run Mode. The following parameter pairs can be alternately selected during Run Mode: A020/A220, F002/F202, F003/F203, A042/A242, A043/A243, A061/A261, A062/A262, A092/A292, A093/A293, A094/A294, A095/A295, A096/A296

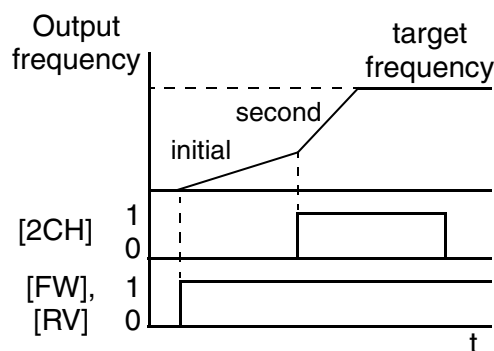
When the terminal [SET] or [S-ST] is turned ON, the inverter will use the second set of parameters to generate the frequency output to the motor. When changing the state of the [SET] input terminal, the change will not take effect until the inverter is stopped.

When you turn ON the [SET] or [S-ST] input, the inverter operates per the second set of parameters. When the terminal is turned OFF, the output function returns to the original settings (first set of motor parameters). Refer to “Configuring the Inverter for Multiple Motors” on page 4-59 for details.

Option Code	Terminal Symbol	Function Name	Input State	Description
08	SET	Set (select) 2nd Motor Data	ON	causes the inverter to use the 2nd set of motor parameters for generating the frequency output to motor. The selection of 1st or 2nd motor is available only in Stop Mode.
			OFF	causes the inverter to use the 1st (main) set of motor parameters for generating the frequency output to motor
53	S-ST	Special-Set (select) 2nd Motor Data	ON	causes the inverter to use the 2nd set of motor parameters for generating the frequency output to motor. The selection of 1st or 2nd motor is available in Stop Mode or Run Mode.
			OFF	causes the inverter to use the 1st (main) set of motor parameters for generating the frequency output to motor
Valid for inputs:		C001, C002, C003, C004, C005, C006		Example (requires input configuration—see page 3-45): 
Required settings:		(none)		
Notes:				
<ul style="list-style-type: none"> • If the terminal state for [SET] is changed while the inverter is running, the inverter continues using the current set of parameters until the inverter is stopped. • You cannot configure the inverter to use [SET] and [S-ST] terminals at the same time. 				See I/O specs on page 4-6.

Two-stage Acceleration and Deceleration

When terminal [2CH] is turned ON, the inverter changes the rate of acceleration and deceleration from the initial settings (F002 and F003) to use the second set of acceleration/deceleration values. When the terminal is turned OFF, the inverter is returned to the original acceleration and deceleration time (F002 acceleration time 1, and F003 deceleration time 1). Use A092 (acceleration time 2) and A0093 (deceleration time 2) to set the second stage acceleration and deceleration times.



In the graph shown above, the [2CH] becomes active during the initial acceleration. This causes the inverter to switch from using acceleration 1 (F002) to acceleration 2 (A092).

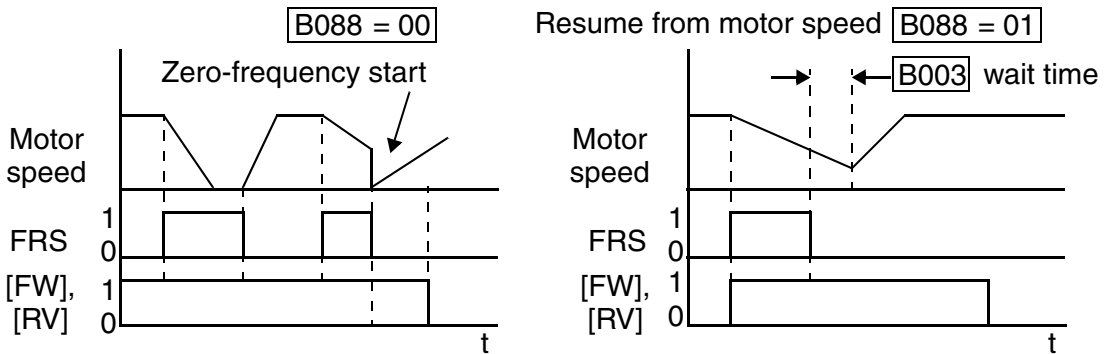
Option Code	Terminal Symbol	Function Name	Input State	Description
09	2CH	Two-stage Acceleration and Deceleration	ON	Frequency output uses 2nd-stage acceleration and deceleration values
			OFF	Frequency output uses the initial acceleration 1 and deceleration 1 values
Valid for inputs:		C001, C002, C003, C004, C005, C006	Example (default input configurations shown—see page 3-45): 	
Required settings:		A092, A093, A094=00		
Notes:		<ul style="list-style-type: none"> Function A094 selects the method for second stage acceleration. It must be set = 00 to select the input terminal method in order for the [2CH] terminal assignment to operate. 		
See I/O specs on page 4-6.				

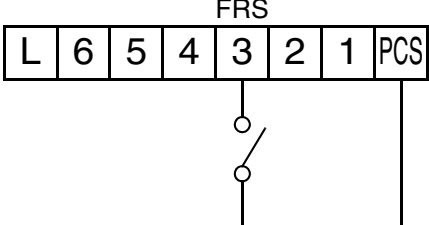
Free-run Stop

When the terminal [FRS] is turned ON, the inverter stops the output and the motor enters the free-run state (coasting). If terminal [FRS] is turned OFF, the output resumes sending power to the motor if the Run command is still active. The free-run stop feature works with other parameters to provide flexibility in stopping and starting motor rotation.

In the figure below, parameter B088 selects whether the inverter resumes operation from 0 Hz (left graph) or the current motor rotation speed (right graph) when the [FRS] terminal turns OFF. The application determines the best setting.

Parameter B003 specifies a delay time before resuming operation from a free-run stop. To disable this feature, use a zero delay time.

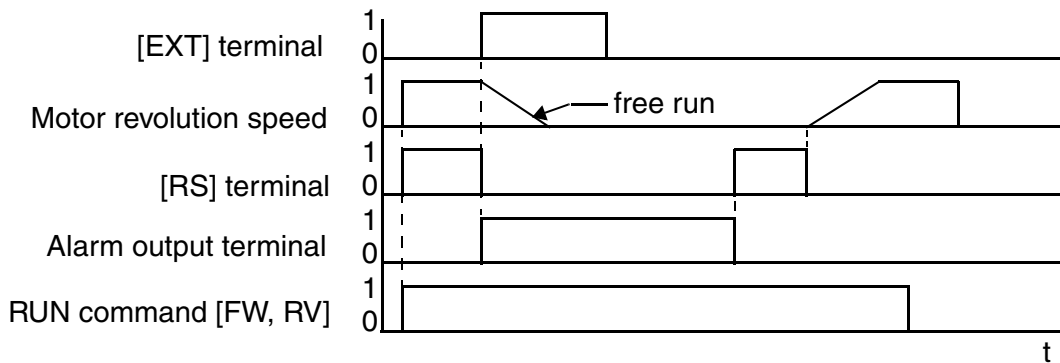


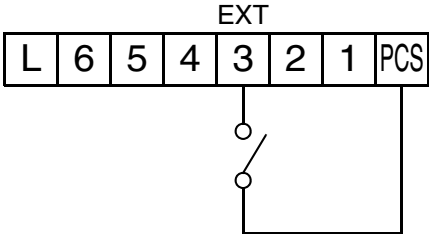
Option Code	Terminal Symbol	Function Name	Input State	Description
11	FRS	Free-run Stop	ON	Causes output to turn OFF, allowing motor to free run (coast) to stop
			OFF	Output operates normally, so controlled deceleration stops motor
Valid for inputs:		C001, C002, C003, C004, C005, C006	Example (requires input configuration—see page 3-45): 	
Required settings:		B003, B088, C011 to C016		
Notes:		<ul style="list-style-type: none"> When you want the [FRS] terminal to be active low (normally closed logic), change the setting (C011 to C016) that corresponds to the input (C001 to C006) that is assigned the [FRS] function. 		
				See I/O specs on page 4-6.

External Trip

When the terminal [EXT] is turned ON, the inverter enters the trip state, indicates error code E12, and stops the output. This is a general purpose interrupt type feature, and the meaning of the error depends on what you connect to the [EXT] terminal. Even if the [EXT] input is turned OFF, the inverter remains in the trip state. You must reset the inverter or cycle power to clear the error, returning the inverter to the Stop Mode.

In the graph below, the [EXT] input turns ON during normal Run Mode operation. The inverter lets the motor free-run to a stop, and the alarm output turns ON immediately. When the operator initiates a Reset command, the alarm and error are cleared. When the Reset is turned OFF, the motor begins rotation since the Run command is already active.

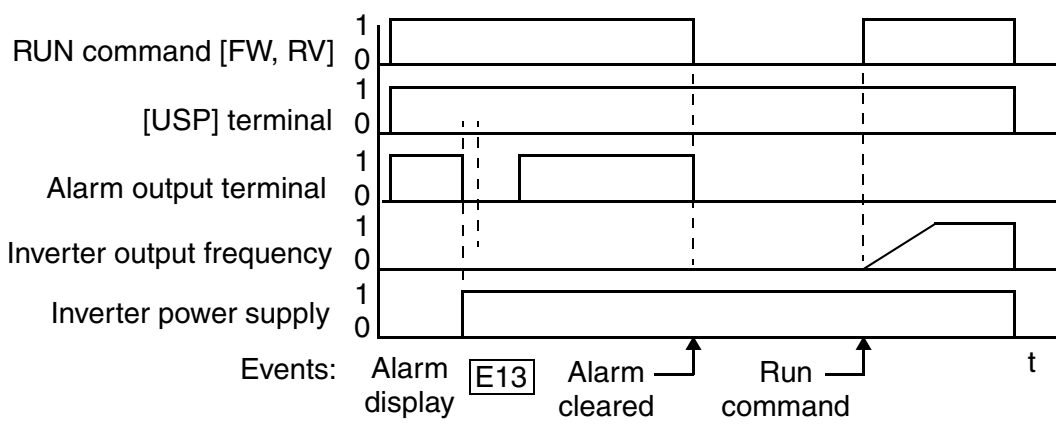


Option Code	Terminal Symbol	Function Name	Input State	Description
12	EXT	External Trip	ON	When assigned input transitions OFF to ON, inverter latches trip event and displays E12
			OFF	No trip event for ON to OFF, any recorded trip events remain in history until Reset
Valid for inputs:		C001, C002, C003, C004, C005, C006	Example (requires input configuration—see page 3-45): 	
Required settings:		(none)		
Notes:		<ul style="list-style-type: none"> If the USP (Unattended Start Protection) feature is in use, the inverter will not automatically restart after cancelling the EXT trip event. In that case, it must receive either another Run command (OFF-to-ON transition), a keypad Reset command, or an [RS] intelligent terminal input signal. 		
				See I/O specs on page 4-6.

Unattended Start Protection

If the Run command is already set when power is turned ON, the inverter starts running immediately after powerup. The Unattended Start Protection (USP) function prevents that automatic startup, so that the inverter *will not* run without outside intervention. When USP is active and you need to reset an alarm and resume running, either turn the Run command OFF, or perform a reset operation by the terminal [RS] input or the keypad Stop/reset key.

In the figure below, the [UPS] feature is enabled. When the inverter power turns ON, the motor does not start, even though the Run command is already active. Instead, it enters the USP trip state, and displays E13 error code. This requires outside intervention to reset the alarm by turning OFF the Run command per this example (or applying a reset). Then the Run command can turn ON again and start the inverter output.

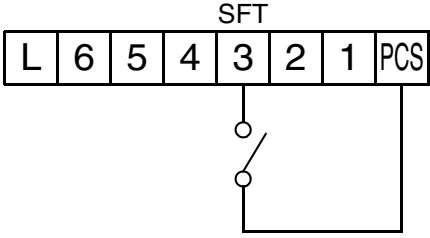


Option Code	Terminal Symbol	Function Name	Input State	Description
13	USP	Unattended Start Protection	ON	On powerup, the inverter will not resume a Run command (mostly used in the US)
			OFF	On powerup, the inverter will resume a Run command that was active before power loss
Valid for inputs:		C001, C002, C003, C004, C005, C006	Example (default input configuration shown for -FU models; -FE and -FR models require input configuration—see page 3-45):	
Required settings:		(none)		
<p>Notes:</p> <ul style="list-style-type: none"> Note that when a USP error occurs and it is canceled by a reset from a [RS] terminal input, the inverter restarts running immediately. Even when the trip state is canceled by turning the terminal [RS] ON and OFF after an under voltage protection E09 occurs, the USP function will be performed. When the running command is active immediately after the power is turned ON, a USP error will occur. When this function is used, wait for at least three (3) seconds after the powerup to generate a Run command. 				
			<p>See I/O specs on page 4-6.</p>	

Software Lock

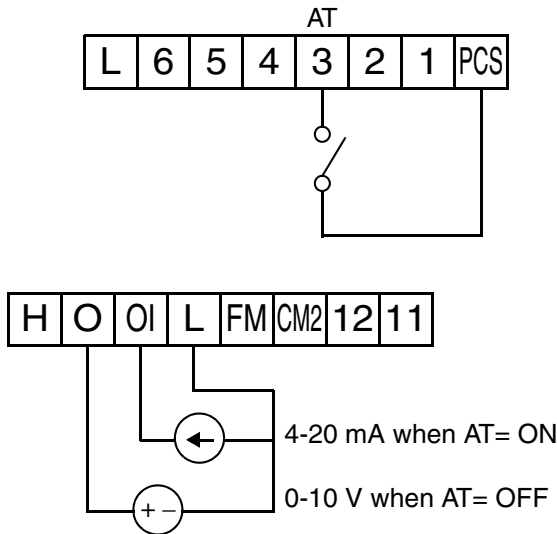
When the terminal [SFT] is turned ON, the data of all the parameters and functions (except the output frequency, depending on the setting of B031) is locked (prohibited from editing). When the data is locked, the keypad keys cannot edit inverter parameters. To edit parameters again, turn OFF the [SFT] terminal input.

Use parameter B031 to select whether the output frequency is excluded from the lock state or is locked as well.

Option Code	Terminal Symbol	Function Name	Input State	Description
15	SFT	Software Lock	ON	The keypad and remote programming devices are prevented from changing parameters
			OFF	The parameters may be edited and stored
Valid for inputs:		C001, C002, C003, C004, C005, C006		Example (requires input configuration—see page 3-45): 
Required settings:		B031 (excluded from lock)		
Notes: <ul style="list-style-type: none"> • When the [SFT] terminal is turned ON, only the output frequency can be changed. • Software lock can include the output frequency by setting B031. • Software lock by the operator is also possible without the [SFT] terminal being used (B031). 				
				See I/O specs on page 4-6.

Analog Input Current/Voltage Select

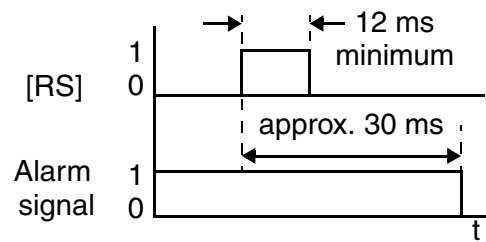
The [AT] terminal selects whether the inverter uses the voltage [O] or current [OI] input terminals for external frequency control. When intelligent input [AT] is ON, you can set the output frequency by applying a current input signal at [OI]-[L]. When the [AT] input is OFF, you can apply a voltage input signal at [O]-[L] to set the output frequency. Note that you must also set parameter A001 = 01 to enable the analog terminal set for controlling the inverter frequency.

Option Code	Terminal Symbol	Function Name	Input State	Description
16	AT	Analog Input Voltage/current Select	ON	Terminal OI is enabled for current input (uses terminal L for power supply return)
			OFF	Terminal O is enabled for voltage input (uses terminal L for power supply return)
Valid for inputs:		C001, C002, C003, C004, C005, C006		Example (default input configuration shown for -FU models; -FE and -FR models require input configuration—see page 3-45): 
Required settings:		A001 = 01		
Notes:		<ul style="list-style-type: none"> • If the [AT] option is not assigned to any intelligent input terminal, then inverter uses the algebraic sum of both the voltage and current inputs for the frequency command (and A001=01). • When using either the analog current and voltage input terminal, make sure that the [AT] function is allocated to an intelligent input terminal. • Be sure to set the frequency source setting A001=01 to select the analog input terminals. 		

See I/O specs on page 4-6.

Reset Inverter

The [RS] terminal causes the inverter to execute the reset operation. If the inverter is in Trip Mode, the reset cancels the Trip state. When the signal [RS] is turned ON and OFF, the inverter executes the reset operation. The minimum pulse width for [RS] must be 12 ms or greater. The alarm output will be cleared within 30 ms after the onset of the Reset command.

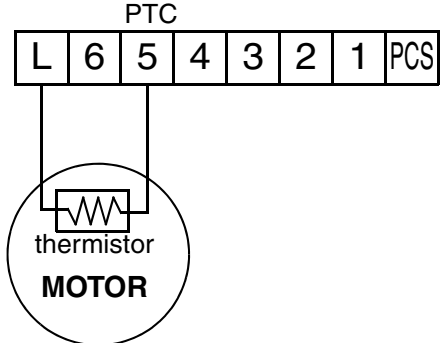


WARNING: After the Reset command is given and the alarm reset occurs, the motor will restart suddenly if the Run command is already active. Be sure to set the alarm reset after verifying that the Run command is OFF to prevent injury to personnel.

Option Code	Terminal Symbol	Function Name	Input State	Description
18	RS	Reset Inverter	ON	The motor output is turned OFF, the Trip Mode is cleared (if it exists), and powerup reset is applied
			OFF	Normal power-ON operation
Valid for inputs:		C001, C002, C003, C004, C005, C006	Example (default input configurations shown—see page 3-45):	
Required settings:		(none)	<p>See I/O specs on page 4-6.</p>	
Notes:				
<ul style="list-style-type: none"> When the control terminal [RS] input is already ON at powerup for more than 4 seconds, the remote operator display is “R-ERROR COMM<2>” (the display of the digital operator is - - -. However, the inverter has no error. To clear the digital operator error, turn OFF the terminal [RS] input and press one of the operator keys. Pressing the Stop/Reset key of the digital operator can generate a reset operation only when an alarm occurs. A terminal configured with the [RS] function can only be configured for normally open operation. The terminal cannot be used in the normally closed contact state. When input power is turned ON, the inverter performs the same reset operation as it does when a pulse on the [RS] terminal occurs. The Stop/Reset key on the inverter is only operational for a few seconds after inverter powerup when a hand-held remote operator is connected to the inverter. If the [RS] terminal is turned ON while the motor is running, the motor will be free running (coasting). If you are using the output terminal OFF delay feature (any of C145, C147, C149 > 0.0 sec.), the [RS] terminal affects the ON-to-OFF transition slightly. Normally (without using OFF delays), the [RS] input causes the motor output and the logic outputs to turn OFF together, immediately. However, when any output uses an OFF delay, then after the [RS] input turns ON, that output will remain ON for an additional 1 sec. period (approximate) before turning OFF. 				

Thermistor Thermal Protection

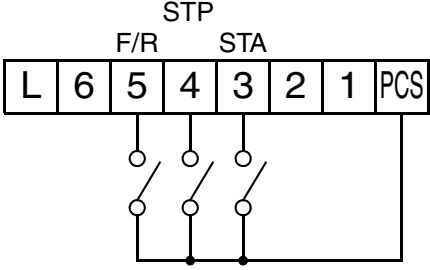
Motors that are equipped with a PTC thermistor can be protected from overheating. Input terminal [5] has the unique ability to sense a thermistor resistance. When the resistance value of the thermistor connected to terminal [PTC] at [5] and [L] is more than $3\text{ k}\Omega \pm 10\%$, the inverter enters the Trip Mode, turns OFF the output to the motor, and indicates the trip status E35. Use this function to protect the motor from overheating

Option Code	Terminal Symbol	Function Name	Input State	Description
19	PTC	Thermistor Thermal Protection	Sensor	When a thermistor is connected to terminals [5] and [L], the inverter checks for over-temperature and will cause trip (E35) and turn OFF the output to the motor
			Open	An open circuit in the thermistor causes a trip, and the inverter turns OFF the output
Valid for inputs:		C005 only		Example (requires input configuration—see page 3-45): 
Required settings:		C085		
Notes:				
<ul style="list-style-type: none"> Be sure the thermistor is connected to terminals [5] and [L]. If the resistance is above the threshold the inverter will trip. When the motor cools down enough, the thermistor resistance will change enough to permit you to clear the error. Press the STOP/Reset key to clear the error. 				

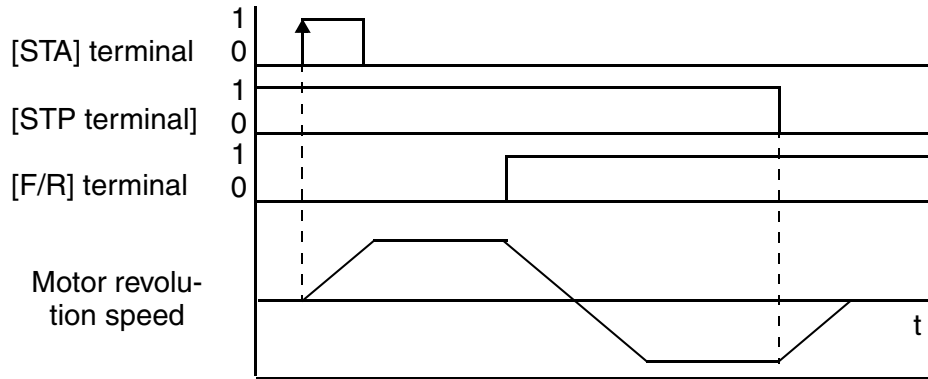
Three-wire Interface Operation

The 3-wire interface is an industry standard motor control interface. This function uses two inputs for momentary contact start/stop control, and a third for selecting forward or reverse direction. To implement the 3-wire interface, assign 20 [STA] (Start), 21 [STP] (Stop), and 22 [F/R] (Forward/Reverse) to three of the intelligent input terminals. Use a momentary contact for Start and Stop. Use a selector switch, such as SPST for the Forward/Reverse input. Be sure to set the operation command selection A002=01 for input terminal control of motor.

If you have a motor control interface that needs logic-level control (rather than momentary pulse control), use the [FW] and [RV] inputs instead.

Option Code	Terminal Symbol	Function Name	Input State	Description
20	STA	Start Motor	ON	Start motor rotation on momentary contact (uses acceleration profile)
			OFF	No change to motor operation
21	STP	Stop Motor	ON	No change to motor operation
			OFF	Stop motor rotation on momentary contact (uses deceleration profile)
22	F/R	Forward/Reverse	ON	Select reverse direction of rotation
			OFF	Select forward direction of rotation
Valid for inputs:		C001, C002, C003, C004, C005, C006		Example (requires input configuration—see page 3-45): 
Required settings:		A002 = 01		
Notes: <ul style="list-style-type: none"> The STP logic is inverted. Normally the switch will be closed, so you open the switch to stop. In this way, a broken wire causes the motor to stop automatically (safe design). When you configure the inverter for 3-wire interface control, the dedicated [FW] terminal is automatically disabled. The [RV] intelligent terminal assignment is also disabled. 				
				See I/O specs on page 4-6.

The diagram below shows the use of 3-wire control. STA (Start Motor) is an edge-sensitive input; an OFF-to-ON transition gives the Start command. The control of direction is level-sensitive, and the direction may be changed at any time. STP (Stop Motor) is also a level-sensitive input.



PID ON/OFF and PID Clear

The PID loop function is useful for controlling motor speed to achieve constant flow, pressure, temperature, etc. in many process applications. The PID Disable function temporarily suspends PID loop execution via an intelligent input terminal. It overrides the parameter A071 (PID Enable) to stop PID execution and return to normal motor frequency output characteristics. The use of PID Disable on an intelligent input terminal is optional. Of course, any use of the PID loop control requires setting PID Enable function A071=01.

The PID Clear function forces the PID loop integrator sum = 0. So, when you turn ON an intelligent input configured as [PIDC], the integrator sum is reset to zero. This is useful when switching from manual control to PID loop control and the motor is stopped.



CAUTION: Be careful not to turn PID Clear ON and reset the integrator sum when the inverter is in Run Mode (output to motor is ON). Otherwise, this could cause the motor to decelerate rapidly, resulting in a trip.

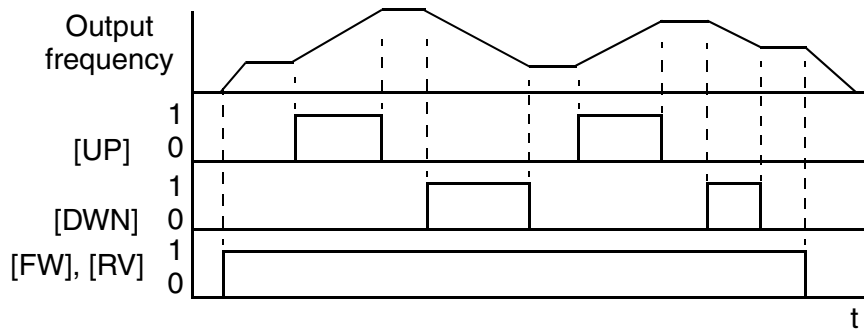
Option Code	Terminal Symbol	Function Name	Input State	Description
23	PID	PID Disable	ON	Disables PID loop execution
			OFF	Allows PID loop execution if A71=01
24	PIDC	PID Clear	ON	Force the value of the integrator to zero
			OFF	No change to PID loop execution
Valid for inputs:		C001, C002, C003, C004, C005, C006	Example (requires input configuration—see page 3-45):	
Required settings:		A071	<p>See I/O specs on page 4-6.</p>	
Notes:		<ul style="list-style-type: none"> The use of [PID] and [PIDC] terminals are optional. Use A071=01 if you want PID loop control enabled all the time. Do not enable/disable PID control while the motor is running (inverter is in Run Mode). Do not turn ON the [PIDC] input while the motor is running (inverter is in Run Mode). 		

Remote Control Up and Down Functions

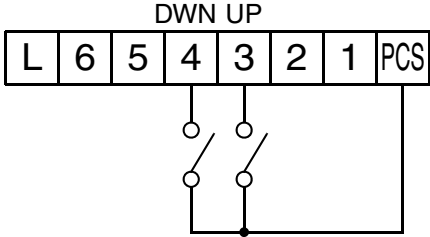
The [UP] [DWN] terminal functions can adjust the output frequency for remote control while the motor is running. The acceleration time and deceleration time of this function is same as normal operation ACC1 and DEC1 (2ACC1,2DEC1). The input terminals operate according to these principles:

- Acceleration - When the [UP] contact is turned ON, the output frequency accelerates from the current value. When it is turned OFF, the output frequency maintains its current value at that moment.
- Deceleration - When the [DWN] contact is turned ON, the output frequency decelerates from the current value. When it is turned OFF, the output frequency maintains its current value at that moment.

In the graph below, the [UP] and [DWN] terminals activate while the Run command remains ON. The output frequency responds to the [UP] and [DWN] commands.



It is possible for the inverter to retain the frequency set from the [UP] and [DWN] terminals through a power loss. Parameter C101 enables/disables the memory. If disabled, the inverter retains the last frequency before an UP/DWN adjustment. Use the [UDC] terminal to clear the memory and return to the original set output frequency.

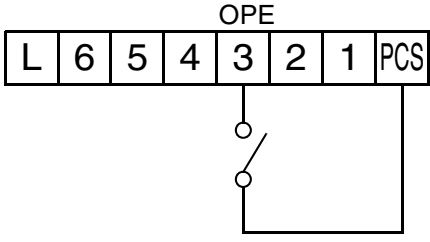
Option Code	Terminal Symbol	Function Name	Input State	Description
27	UP	Remote Control UP Function (motorized speed pot.)	ON	Accelerates (increases output frequency) motor from current frequency
			OFF	Output to motor operates normally
28	DWN	Remote Control DOWN Function (motorized speed pot.)	ON	Decelerates (decreases output frequency) motor from current frequency
			OFF	Output to motor operates normally
29	UDC	Remote Control Data Clear	ON	Clears the Up/down frequency memory
			OFF	No effect on Up/down memory
Valid for inputs:		C001, C002, C003, C004, C005, C006		Example (requires input configuration—see page 3-45): 
Required settings:		A001 = 02		
Notes:				
<ul style="list-style-type: none"> • This feature is available only when the frequency command source is programmed for operator control. Confirm A001 is set to 02. • This function is not available when [JG] is in use. • The range of output frequency is 0 Hz to the value in A004 (maximum frequency setting). • The minimum ON time of [UP] and [DWN] is 50 ms. • This setting modifies the inverter speed from using F001 output frequency setting as a starting point. 				

Force Operation from Digital Operator

This function permits a digital operator interface to override the following two settings in the inverter:

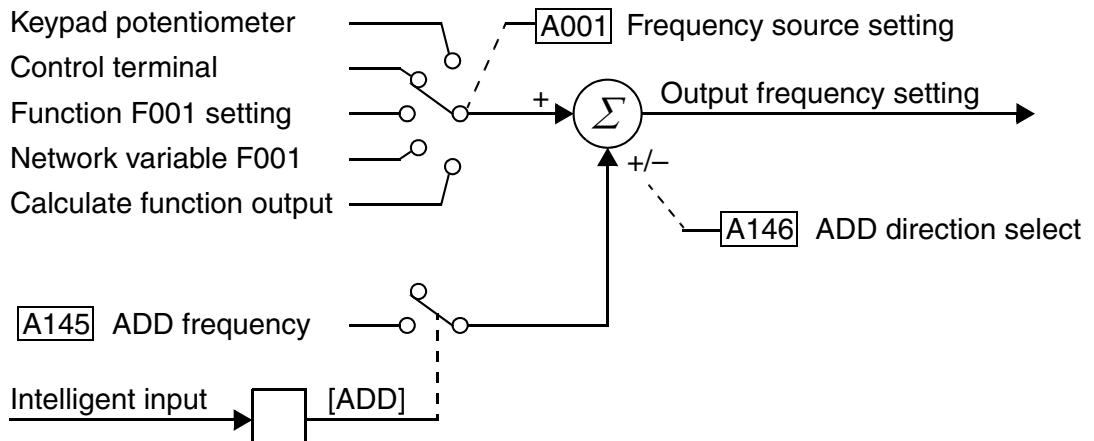
- A001 - Frequency source setting
- A002 - Run command source setting

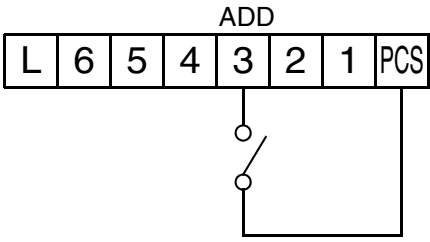
When using the [OPE] terminal input, typically A001 and A002 are configured for sources other than the digital operator interface for the output frequency and Run command sources, respectively. When the [OPE] input is ON, then user has immediate command of the inverter, to start or stop the motor and to set the speed.

Option Code	Terminal Symbol	Function Name	Input State	Description
31	OPE	Force Operation from Digital Operator	ON	Forces the operator interface to override: A001 - Frequency Source Setting, and A002 - Run Command Source Setting
			OFF	Parameters A001 and A002 are in effect again, for the frequency source and the Run command source, respectively
Valid for inputs:		C001, C002, C003, C004, C005, C006		Example (requires input configuration—see page 3-45): 
Required settings:		A001 (set not equal to 00) A002 (set not equal to 02)		
Notes: <ul style="list-style-type: none"> • When changing the [OPE] state during Run Mode (inverter is driving the motor), the inverter will stop the motor before the new [OPE] state takes effect. • If the [OPE] input turns ON and the digital operator gives a Run command while the inverter is already running, the inverter stops the motor. Then the digital operator can control the motor. 				
				See I/O specs on page 4-6.

ADD Frequency Enable

The inverter can add or subtract an offset value to the output frequency setting which is specified by A001 (will work with any of the five possible sources). The ADD Frequency is a value you can store in parameter A145. The ADD Frequency is summed with or subtracted from the output frequency setting only when the [ADD] terminal is ON. Function A146 selects whether to add or subtract. By configuring an intelligent input as the [ADD] terminal, your application can selectively apply the fixed value in A145 to offset (positively or negatively) the inverter output frequency in real time.



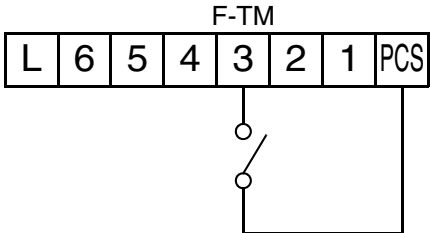
Option Code	Terminal Symbol	Function Name	Input State	Description
50	ADD	ADD Frequency Enable	ON	Applies the A145 Add Frequency value to the output frequency.
			OFF	Does not apply the Add Frequency. The output frequency retains its normal value.
Valid for inputs:		C001, C002, C003, C004, C005, C006	Example (requires input configuration—see page 3-45): 	
Required settings:		A001, A145, A146		
Notes: <ul style="list-style-type: none"> A001 may specify any source; the Add Frequency will be added to or subtracted from that value to yield the output frequency value. 				
See I/O specs on page 4-6.				

Force Terminal Mode

The purpose of this intelligent input is to allow a device to force the inverter to allow control of the following two parameters via the control terminals:

- A001 - Frequency source setting (01 = control terminals [FW] and [RV])
- A002 - Run command source setting (01 = control terminals [O] or [OI])

Some applications will require one or both settings above to use a source other than the terminals. You may prefer to normally use the inverter's keypad and potentiometer, or to use the ModBus network for control, for example. However, an external device can turn ON the [F-TM] input to force the inverter to (temporarily) allow control (frequency source and Run command) via control terminals. When the [F-TM] input is OFF, then the inverter uses the regular sources specified by A001 and A002 again.

Option Code	Terminal Symbol	Function Name	Input State	Description
51	F-TM	Force Terminal Mode	ON	Forces A001=01 (frequency source setting = control terminal), and A002=01 (Run command source setting = control terminal)
			OFF	Inverter applies the user setting for A001 and A002 normally
Valid for inputs:		C001, C002, C003, C004, C005, C006		Example (requires input configuration—see page 3-45): 
Required settings:		A001, A002		
Notes: <ul style="list-style-type: none"> • When changing the [F-TM] state during Run Mode (inverter is driving the motor), the inverter will stop the motor before the new [F-TM] state takes effect. 				
				See I/O specs on page 4-6.

Quick Start Enable

When the [RDY] input is ON, the inverter is always in Run Mode, even when the motor rotation has stopped. The purpose of the quick start feature is to improve (decrease) the startup time of the motor in response to a Run Command.



CAUTION: While the [RDY] input is ON, voltage will be present on the output of the inverter, even when the motor is still. In this case:

- Do not touch the motor output terminals. Otherwise, there is the danger of electric shock.
- Do not short the motor leads together or to ground. Otherwise, you may damage the inverter output circuit.

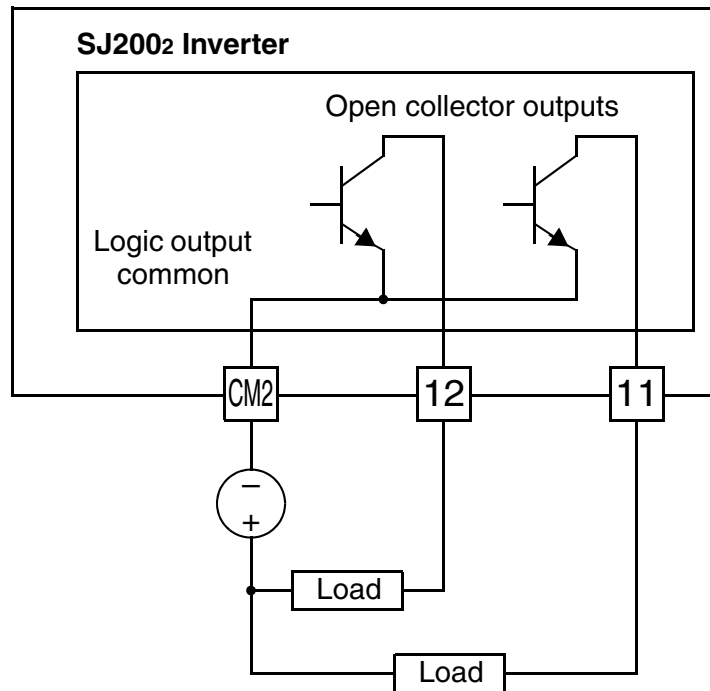
Option Code	Terminal Symbol	Function Name	Input State	Description
52	RDY	Quick Start Enable	ON	Inverter output is always ON (even when motor rotation has stopped) to improve motor startup time.
			OFF	Inverter output turns OFF normally in Stop Mode.
Valid for inputs:		C001, C002, C003, C004, C005, C006		Example (requires input configuration—see page 3-45):
Required settings:		B151=00		
Notes:				
<ul style="list-style-type: none"> • When the [RDY] input is ON, the inverter output is energized the Run LED is always ON. • When the [RDY] input is ON, you may edit only parameters that can be edited in Run Mode. To edit any parameter, turn OFF the [RDY] input and the Run Command to put the inverter in Stop Mode. • Function B151 can also enable the Quick Start function (B151=01). In that case, the [RDY] input should not be used, because the inverter ignores it. 				See I/O specs on page 4-6.

Using Intelligent Output Terminals

The intelligent output terminals are programmable in a similar way to the intelligent input terminals. The inverter has several output functions that you can assign individually to three physical logic outputs. Two of the outputs are open-collector transistors, and the third output is the alarm relay (form C – normally open and normally closed contacts). The relay is assigned the alarm function by default, but you can assign it to any of the functions that the open-collector outputs use.

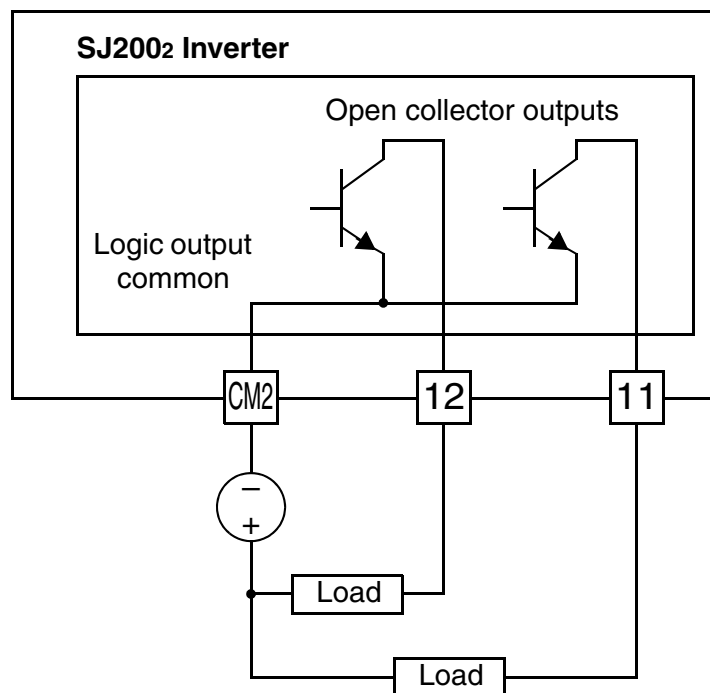
Sinking Outputs, Open Collector

The open-collector transistor outputs can handle up to 50mA each. We highly recommend that you use an external power source as shown. It must be capable of providing at least 100mA to drive both outputs at full load. To drive loads that require more than 50mA, use external relay circuits as shown to the right.



Sinking Outputs, Open Collector with External Relays

If you need output current greater than 50mA, use the inverter output to drive a small relay. Be sure to use a diode across the coil of the relay as shown (reverse-biased) in order to suppress the turn-off spike, or use a solid-state relay.



Internal Relay Output

The inverter has an internal relay output with normally open and normally closed contacts (Type 1 form C). The output signal that controls the relay is configurable; the Alarm Signal is the default setting. Thus, the terminals are labeled [AL0], [AL1], [AL2], as shown to the right. However, you can assign any one of the nine intelligent outputs to the relay. For wiring purposes, the general terminal function are:

- [AL0] – Common contact
- [AL1] – Normally open contact
- [AL2] – Normally closed contact

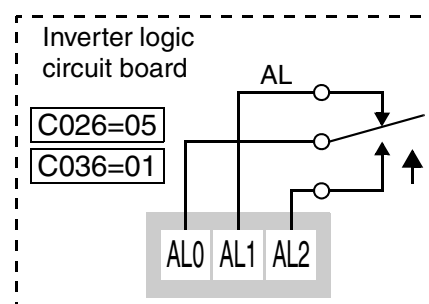
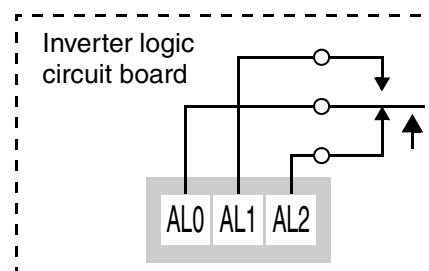
The relay itself can be configured as “normally open or closed.” Parameter C036, Alarm Relay Active State, is the setting. This setting determines whether or not the relay coil is energized when its output signal is OFF:

- C036=00 – “Normally open” (relay coil is **de-energized** when output signal is OFF)
- C036=01 – “Normally closed” (relay coil is **energized** when the output signal is OFF)

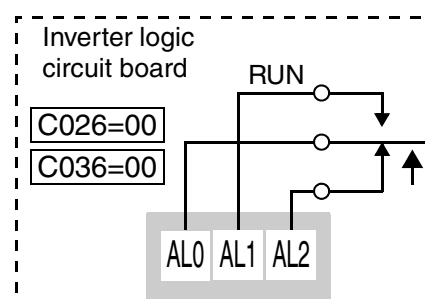
Since the relay already has normally open [AL1] and normally closed [AL2] contacts, the purpose of the ability to invert the relay coil’s active state may not be obvious. *It allows you to determine whether or not an inverter power loss causes the relay to change state.* The default relay configuration is the Alarm Signal (C026=05), as shown to the right. And, C036=01 sets the relay to “normally closed” (relay coil normally energized). The reason for this is that a typical system design will require an inverter power loss to assert an alarm signal to external devices.

The relay can be used for other intelligent output signals, such as the Run Signal (set C026=00). For these remaining output signal types, the relay coil typically must NOT change state upon inverter power loss (set C036=00). The figure to the right shows the relay settings for the Run Signal output.

If you assign the relay an output signal other than the Alarm Signal, the inverter can still have an Alarm Signal output. In this case, you can assign it to either terminal [11] or [12], providing an open collector output.



Relay shown with inverter power ON, Alarm Signal OFF



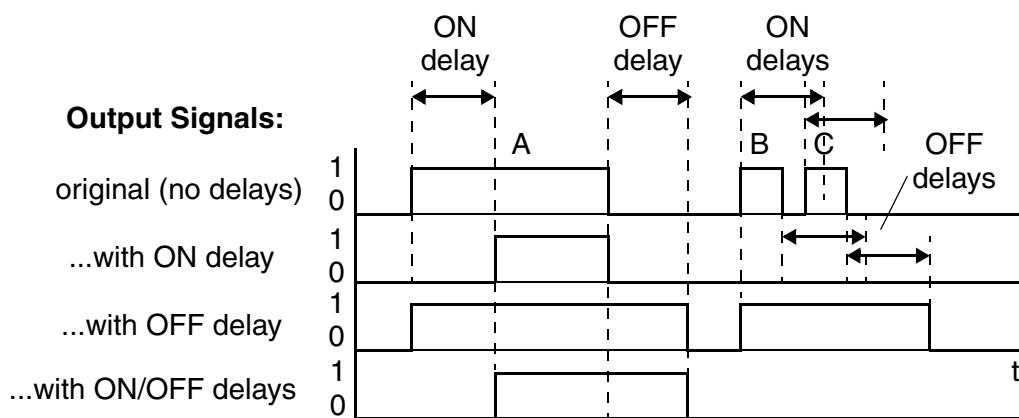
Relay shown with inverter power ON, Run Signal OFF

Output Signal ON/OFF Delay Function

Intelligent outputs including terminals [11], [12], and the output relay, have configurable signal transition delays. Each output can delay either the OFF-to-ON or ON-to-OFF transitions, or both. Signal transition delays are variable from 0.1 to 100.0 seconds. This feature is useful in applications that must tailor inverter output signals to meet timing requirements of certain external devices.

The timing diagram below shows a sample output signal (top line) and the results of various ON/OFF delay configurations.

- **Original signal** - This example signal waveform consists of three separate pulses named “A,” “B,” and “C.”
- **...with ON delay** - Pulse A is delayed by the duration of the ON delay time. Pulses B and C do not appear at the output, because they are shorter than the ON delay.
- **...with OFF delay** - Pulse A is lengthened by the amount of the OFF delay time. The separation between pulses B and C does not appear at the output, because it is shorter than the OFF delay time.
- **...with ON/OFF delays** - Pulse A is delayed on both leading and trailing edges by the amounts of the ON and OFF delay times, respectively. Pulses B and C do not appear at the output, because they are shorter than the ON delay time.



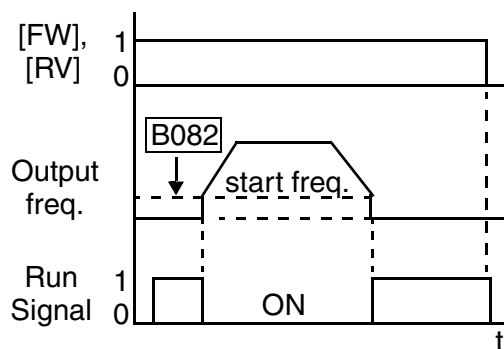
To configure ON and OFF delays, use the following table to set the desired delay times.

Func.	Description	Range	Default
C144	Terminal [11] ON delay	0.0 to 100.0 sec.	0.0
C145	Terminal [11] OFF delay	0.0 to 100.0 sec.	0.0
C146	Terminal [12] ON delay	0.0 to 100.0 sec.	0.0
C147	Terminal [12] OFF delay	0.0 to 100.0 sec.	0.0
C148	Output relay ON delay	0.0 to 100.0 sec.	0.0
C149	Output relay OFF delay	0.0 to 100.0 sec.	0.0

Use of the ON/OFF signal delay functions are optional. Note that any of the intelligent output assignments in this section can be combined with ON/OFF signal timing delay configurations.

Run Signal

When the [RUN] signal is selected as an intelligent output terminal, the inverter outputs a signal on that terminal when it is in Run Mode. The output logic is active low, and is the open collector type (switch to ground).



Option Code	Terminal Symbol	Function Name	Output State	Description
00	RUN	Run Signal	ON	when inverter is in Run Mode
			OFF	when inverter is in Stop Mode
Valid for outputs:		11, 12, AL0 – AL2		Example for terminals [11] and 12 (default output configuration shown—see page 3-52):
Required settings:		(none)		
Notes:				
<ul style="list-style-type: none"> The inverter outputs the [RUN] signal whenever the inverter output exceeds the start frequency specified by parameter B082. The start frequency is the initial inverter output frequency when it turns ON. The example circuit for terminal [12] drives a relay coil. Note the use of a diode to prevent the negative-going turn-off spike generated by the coil from damaging the inverter's output transistor. 				Example for terminals [AL0], [AL1], [AL2] (requires output configuration—see pages 4-37 and 3-52):
				See I/O specs on page 4-6.

Frequency Arrival Signals

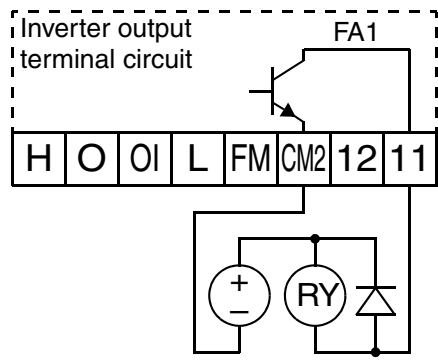
The *Frequency Arrival* group of outputs help coordinate external systems with the current velocity profile of the inverter. As the name implies, output [FA1] turns ON when the output *frequency arrives* at the standard set frequency (parameter F001). Output [FA2] relies on programmable accel/ decel thresholds for increased flexibility. For example, you can have an output turn ON at one frequency during acceleration, and have it turn OFF at a different frequency during deceleration. All transitions have hysteresis to avoid output chatter if the output frequency is near one of the thresholds.

Option Code	Terminal Symbol	Function Name	Output State	Description
01	FA1	Frequency Arrival Type 1 – Constant Speed	ON	when output to motor is at the set frequency
			OFF	when output to motor is OFF, or in any acceleration or deceleration ramp
02	FA2	Frequency Arrival Type 2 – Over-frequency	ON	when output to motor is at or above the FA2 threshold (C042) during accel
			OFF	when output to motor is below the FA2 threshold (C043) during decel

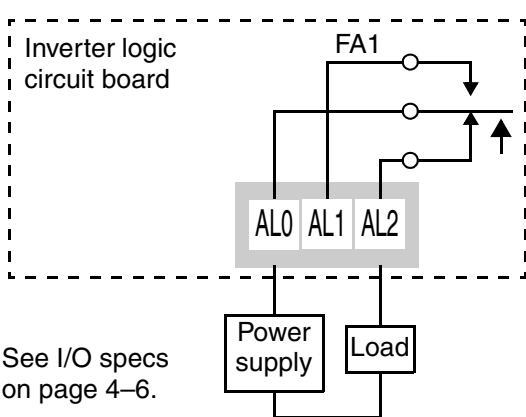
Valid for outputs:	11, 12, AL0 – AL2	Example (default output configuration shown—see page 3-52):
Required settings:	(none)	

Notes:

- For most applications you will need to use only one type of frequency arrival outputs (see examples). However, it is possible assign both output terminals to output functions [FA1] and [FA2].
- For each frequency arrival threshold, the output anticipates the threshold (turns ON early) by 1.5Hz.
- The output turns OFF as the output frequency moves away from the threshold, delayed by 0.5Hz.
- The delay time of the output signal is 60 ms (nominal).
- The example circuit for terminal [12] drives a relay coil. Note the use of a diode to prevent the negative-going turn-off spike generated by the coil from damaging the inverter’s output transistor.

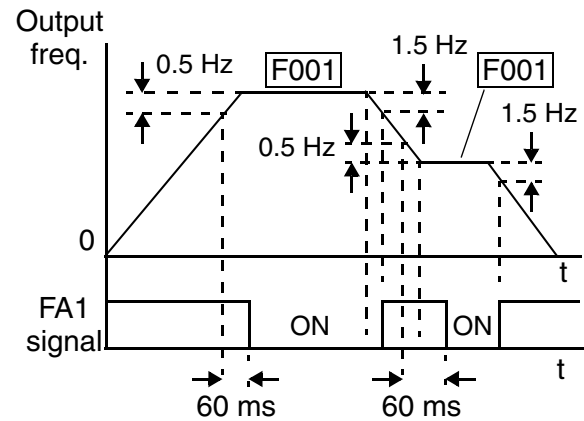


Example for terminals [AL0], [AL1], [AL2] (requires output configuration—see pages 4-37 and 3-52):

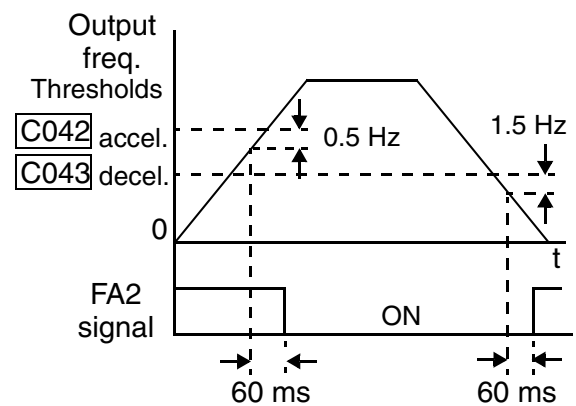


See I/O specs on page 4-6.

Frequency arrival output [FA1] uses the standard output frequency (parameter F001) as the threshold for switching. In the figure to the right, Frequency Arrival [FA1] turns ON when the output frequency gets within 0.5 Hz below or 1.5 Hz above the target constant frequency. This provides hysteresis that prevents output chatter near the threshold value. The hysteresis effect causes the output to turn ON slightly *early* as the speed approaches the threshold. Then the turn-OFF point is slightly *delayed*. The timing is further modified by a small 60 ms delay. Note the active low nature of the signal, due to the open collector output.

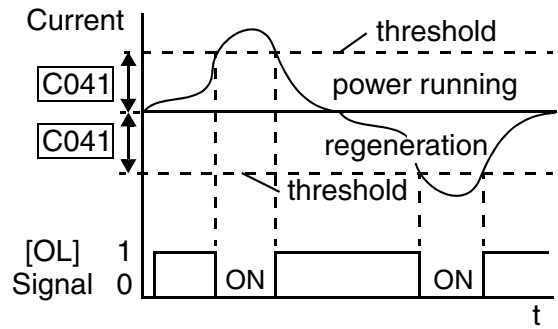


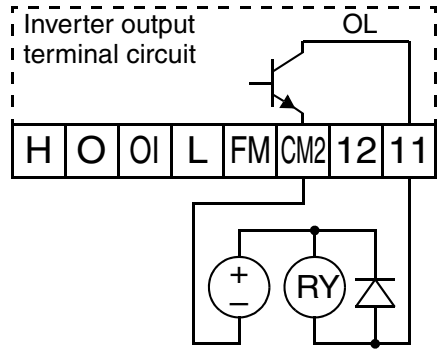
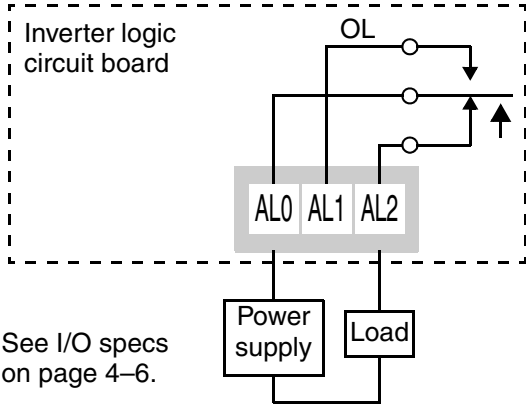
Frequency arrival output [FA2] works the same way; it just uses two separate thresholds as shown in the figure to the right. These provide for separate acceleration and deceleration thresholds to provide more flexibility than for [FA1]. [FA2] uses C042 during acceleration for the ON threshold, and C0043 during deceleration for the OFF threshold. This signal also is active low and has a 60 ms delay after the frequency thresholds are crossed. Having different accel and decel thresholds provides an asymmetrical output function. However, you can use equal ON and OFF thresholds, if desired.



Overload Advance Notice Signal

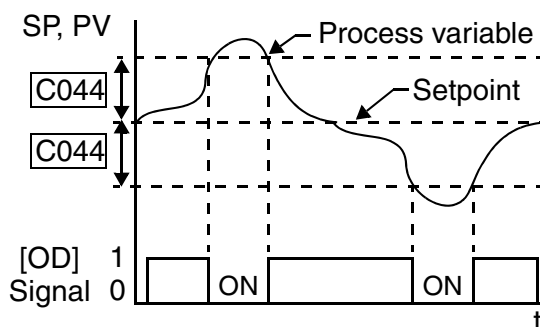
When the output current exceeds a preset value, the [OL] terminal signal turns ON. The parameter C041 sets the overload threshold. The overload detection circuit operates during powered motor operation and during regenerative braking. The output circuits use open-collector transistors, and are active low.



Option Code	Terminal Symbol	Function Name	Output State	Description
03	OL	Overload Advance Notice Signal	ON	when output current is more than the set threshold for the overload signal
			OFF	when output current is less than the set threshold for the overload signal
Valid for outputs:		11, 12, AL0 – AL2		Example (requires output configuration—see page 3-52): 
Required settings:		C041		
Notes: <ul style="list-style-type: none"> The default value is 100%. To change the level from the default, set C041 (overload level). The accuracy of this function is the same as the function of the output current monitor on the [FM] terminal (see “Analog Output Operation” on page 4-56). The example circuit for terminal [12] drives a relay coil. Note the use of a diode to prevent the negative-going turn-off spike generated by the coil from damaging the inverter’s output transistor. 				
				Example for terminals [AL0], [AL1], [AL2] (requires output configuration—see pages 4-37 and 3-52): 
				See I/O specs on page 4-6.

Output Deviation for PID Control

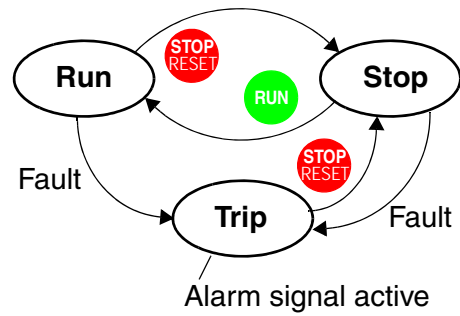
The PID loop error is defined as the magnitude (absolute value) of the difference between the Setpoint (target value) and the Process Variable (actual value). When the error magnitude exceeds the preset value for C044, the [OD] terminal signal turns ON. Refer to “PID Loop Operation” on page 4-57.



Option Code	Terminal Symbol	Function Name	Output State	Description
04	OD	Output Deviation for PID Control	ON	when PID error is more than the set threshold for the deviation signal
			OFF	when PID error is less than the set threshold for the deviation signal
Valid for outputs:		11, 12, AL0 – AL2		Example (requires output configuration—see page 3-52):
Required settings:		C044		
Notes:		<ul style="list-style-type: none"> The default difference value is set to 3%. To change this value, change parameter C044 (deviation level). The example circuit for terminal [12] drives a relay coil. Note the use of a diode to prevent the negative-going turn-off spike generated by the coil from damaging the inverter’s output transistor. 		
				Example for terminals [AL0], [AL1], [AL2] (requires output configuration—see pages 4-37 and 3-52):
				See I/O specs on page 4-6.

Alarm Signal

The inverter alarm signal is active when a fault has occurred and it is in the Trip Mode (refer to the diagram at right). When the fault is cleared the alarm signal becomes inactive.



We must make a distinction between the alarm signal AL and the alarm relay contacts [AL0], [AL1] and [AL2]. The signal AL is a logic function, which you can assign to the open collector output terminals [11] or [12] or the relay outputs.

The most common (and default) use of the relay is for AL, thus the labeling of its terminals. Use an open collector output (terminal [11] or [12]) for a low-current logic signal interface or to energize a small relay (50 mA maximum). Use the relay output to interface to higher voltage and current devices (10 mA minimum).

Option Code	Terminal Symbol	Function Name	Output State	Description
05	AL	Alarm Signal	ON	when an alarm signal has occurred and has not been cleared
			OFF	when no alarm has occurred since the last clearing of alarm(s)
Valid for outputs:		11, 12, AL0 – AL2		Example for terminal [11] or [12] (requires output configuration—see page 3-52):
Required settings:		C026, C036		
Notes: <ul style="list-style-type: none"> By default, the relay is configured as normally closed (C036=01). Refer to the next page for an explanation. In the default relay configuration, an inverter power loss turns ON the alarm output. the alarm signal remains ON as long as the external control circuit has power. When the relay output is set to normally closed, a time delay of less than 2 seconds occurs after powerup before the contact is closed. Terminals [11] and [12] are open collector outputs, so the electric specifications of [AL] are different from the contact output terminals [AL0], [AL1], [AL2]. This signal output has the delay time (300 ms nominal) from the fault alarm output. The relay contact specifications are in “Control Logic Signal Specifications” on page 4-6. The contact diagrams for different conditions are on the next page. 				
				Example for terminals [AL0], [AL1], [AL2] (default output configuration shown—see page 3-52):

See I/O specs on page 4-6.

The alarm relay output can be configured in two main ways:

- Trip/Power Loss Alarm** – The alarm relay is configured as normally closed (C036=1) by default, shown below (left). An external alarm circuit that detects broken wiring also as an alarm connects to [AL0] and [AL1]. After powerup and short delay (< 2 seconds), the relay energizes and the alarm circuit is OFF. Then, either an inverter trip event or an inverter power loss will de-energize the relay and open the alarm circuit.
- Trip Alarm** – Alternatively, you can configure the relay as normally open (C036=0), shown below (right). An external alarm circuit that detects broken wiring also as an alarm connects to [AL0] and [AL2]. After powerup, the relay energizes only when an inverter trip event occurs, opening the alarm circuit. However, in this configuration, an inverter power loss does not open the alarm circuit.

Be sure to use the relay configuration that is appropriate for your system design. Note that the external circuits shown assume that a closed circuit = no alarm condition (so that a broken wire also causes an alarm). However, some systems may require a closed circuit = alarm condition. In that case, then use the opposite terminal [AL1] or [AL2] from the ones shown.

N.C. contacts (C036=01)		N.O. contact (C036=00)																															
<p>During normal operation</p>	<p>When an alarm occurs or when power is OFF</p>	<p>During normal operation or when power is OFF</p>	<p>When an alarm occurs</p>																														
<table border="1"> <thead> <tr> <th>Power</th> <th>Run Mode</th> <th>AL0-AL1</th> <th>AL0-AL2</th> </tr> </thead> <tbody> <tr> <td>ON</td> <td>Normal</td> <td>Closed</td> <td>Open</td> </tr> <tr> <td>ON</td> <td>Trip</td> <td>Open</td> <td>Closed</td> </tr> <tr> <td>OFF</td> <td>—</td> <td>Open</td> <td>Closed</td> </tr> </tbody> </table>	Power	Run Mode	AL0-AL1	AL0-AL2	ON	Normal	Closed	Open	ON	Trip	Open	Closed	OFF	—	Open	Closed	<table border="1"> <thead> <tr> <th>Power</th> <th>Run Mode</th> <th>AL0-AL1</th> <th>AL0-AL2</th> </tr> </thead> <tbody> <tr> <td>ON</td> <td>Normal</td> <td>Open</td> <td>Closed</td> </tr> <tr> <td>ON</td> <td>Trip</td> <td>Closed</td> <td>Open</td> </tr> <tr> <td>OFF</td> <td>—</td> <td>Open</td> <td>Closed</td> </tr> </tbody> </table>	Power	Run Mode	AL0-AL1	AL0-AL2	ON	Normal	Open	Closed	ON	Trip	Closed	Open	OFF	—	Open	Closed
Power	Run Mode	AL0-AL1	AL0-AL2																														
ON	Normal	Closed	Open																														
ON	Trip	Open	Closed																														
OFF	—	Open	Closed																														
Power	Run Mode	AL0-AL1	AL0-AL2																														
ON	Normal	Open	Closed																														
ON	Trip	Closed	Open																														
OFF	—	Open	Closed																														

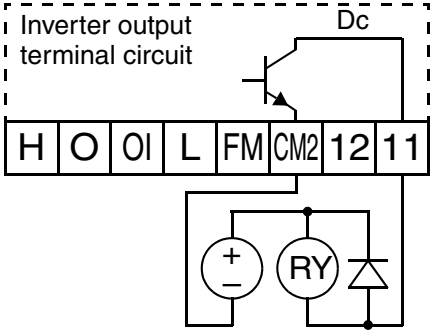
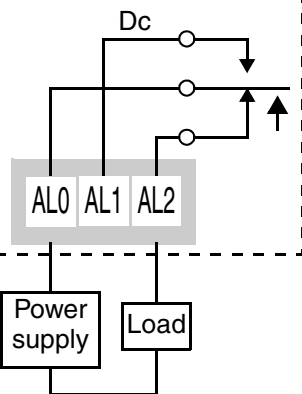
Analog Input Disconnect Detect

This feature is useful when the inverter receives a speed reference from an external device. Upon input signal loss at either the [O] or [OI] terminal, the inverter normally just decelerates the motor to a stop. However, the inverter can use the intelligent output terminal [Dc] to signal other machinery that a signal loss has occurred.

Voltage signal loss at [O] terminal - Parameter B082 is the Start Frequency Adjustment. It sets the beginning (minimum) output frequency when the speed reference source is greater than zero. If the analog input at terminal [O] is less than the Start Frequency, the inverter turns ON the [Dc] output to indicate a signal loss condition.

Current signal loss at [OI] terminal - The [OI] terminal accepts a 4mA to 20mA signal, with 4mA representing the beginning of the input range. If the input current falls below 4mA, the inverter applies a threshold to detect signal loss.

Note that a signal loss is not an inverter trip event. When the analog input value is again above the B082 value, the [Dc] output turns OFF. There is no error condition to clear.

Option Code	Terminal Symbol	Function Name	Output State	Description
06	Dc	Analog Input Disconnect Detect	ON	when the [O] input value < B082 Start Frequency Adjustment (signal loss detected), or when the [OI] input current is less than 4mA
			OFF	when no signal loss is detected
Valid for outputs:		11, 12, AL0 – AL2		Example (requires output configuration—see page 3-52): 
Required settings:		A001=01, B082		
Notes: <ul style="list-style-type: none"> The [Dc] output can indicate an analog signal disconnect when the inverter is in Stop Mode, as well as Run Mode. The example circuit for terminal [12] drives a relay coil. Note the use of a diode to prevent the negative-going turn-off spike generated by the coil from damaging the inverter's output transistor. 				
				Example for terminals [AL0], [AL1], [AL2] (requires output configuration—see pages 4-37 and 3-52): 
				See I/O specs on page 4-6.

PID Second Stage Output

The inverter has a built-in PID loop feature for *two-stage control*, useful for certain applications such as building ventilation or heating and cooling (HVAC). In an ideal control environment, a single PID loop controller (stage) would be adequate. However, in certain conditions, the maximum output energy from the first stage is not enough to maintain the Process Variable (PV) at or near the Setpoint (SP). And, the output of the first stage is in saturation. A simple solution is to add a second stage, which puts an additional and constant amount of energy into the system under control. When sized properly, the boost from the second stage brings the PV toward the desired range, allowing the first stage PID control to return to its linear range of operation.

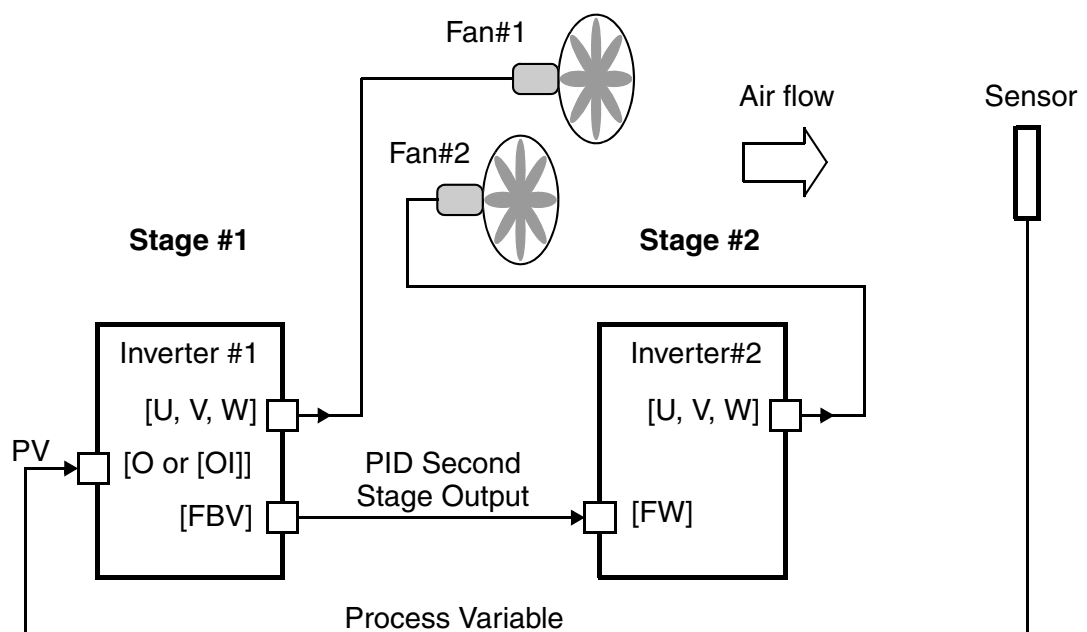
The two-stage method of control has some advantages for particular applications.

- The second stage is only ON in adverse conditions, so there is an energy savings during normal conditions.
- Since the second stage is simple ON/OFF control, it is less expensive to add than just duplicating the first stage.
- At powerup, the boost provided by the second stage helps the process variable reach the desired setpoint sooner than it would if the first stage acted alone.
- Even though the second stage is simple ON/OFF control, when it is an inverter you can still adjust the output frequency to vary the boost it provides.

Refer to the example diagram below. Its two stages of control are defined as follows:

- Stage 1 - Inverter #1 operating in PID loop mode, with motor driving a fan
- Stage 2 - Inverter #2 operating as an ON/OFF controller, with motor driving a fan

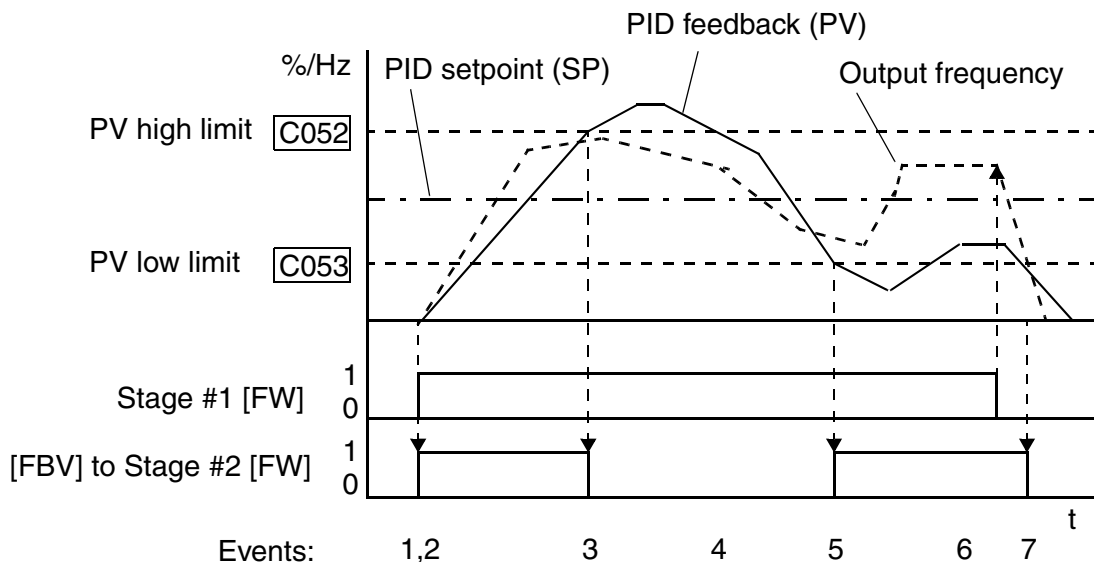
Stage #1 provides the ventilation needs in a building most of the time. On some days, there is a change in the building's air volume because large warehouse doors are open. In that situation, Stage #1 alone cannot maintain the desired air flow (PV sags under SP). Inverter #1 senses the low PV and its PID Second Stage Output at [FBV] terminal turns ON. This gives a Run FWD command to Inverter #2 to provide the additional air flow.



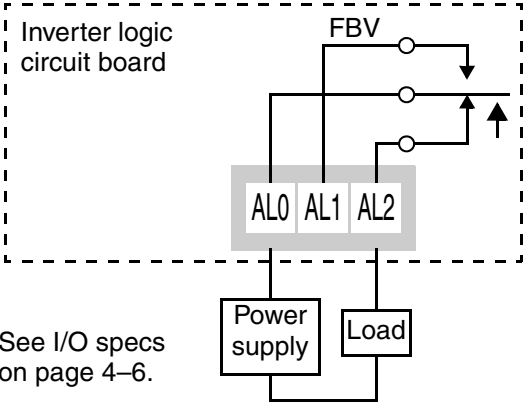
To use the PID Second Stage Output feature, you will need to choose upper and lower limits for the PV, via C053 and C052 respectively. As the timing diagram below shows, these are the thresholds Stage #1 inverter uses to turn ON or OFF Stage #2 inverter via the [FBV] output. The vertical axis units are percent (%) for the PID setpoint, and for the upper and lower limits. The output frequency, in Hz, is superimposed onto the same diagram.

When the system control begins, the following events occur (in sequence in the timing diagram):

1. Stage #1 inverter turns ON via the [FW] Run command.
2. Stage #1 inverter turns ON the [FBV] output, because the PV is below the PV low limit C053. So, Stage #2 is assisting in loop error correction from the beginning.
3. The PV rises and eventually exceeds the PV high limit C052. Stage #1 inverter then turns OFF the [FBV] output to Stage #2, since the boost is no longer needed.
4. When the PV begins decreasing, only Stage #1 is operating, and it is in the linear control range. This region is where a properly configured system will operate most often.
5. The PV continues to decrease until it crosses under the PV low limit (apparent external process disturbance). Stage #1 inverter turns ON the [FBV] output, and Stage #2 inverter is assisting again.
6. After the PV rises above the PV low limit, the [FW] Run command to Stage #1 inverter turns OFF (as in a system shutdown).
7. Stage #1 inverter enters Stop Mode and automatically turns OFF the [FBV] output, which causes Stage #2 inverter to also stop.

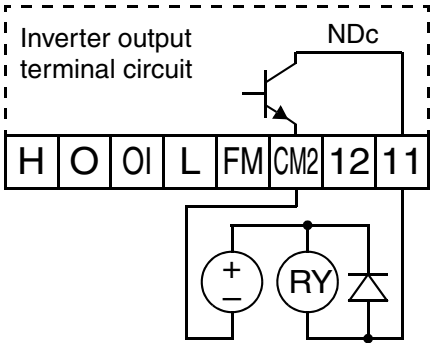
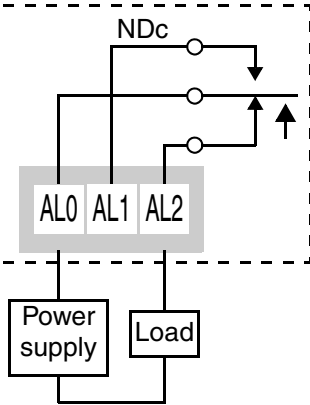


The terminal [FBV] configuration table is on the following page.

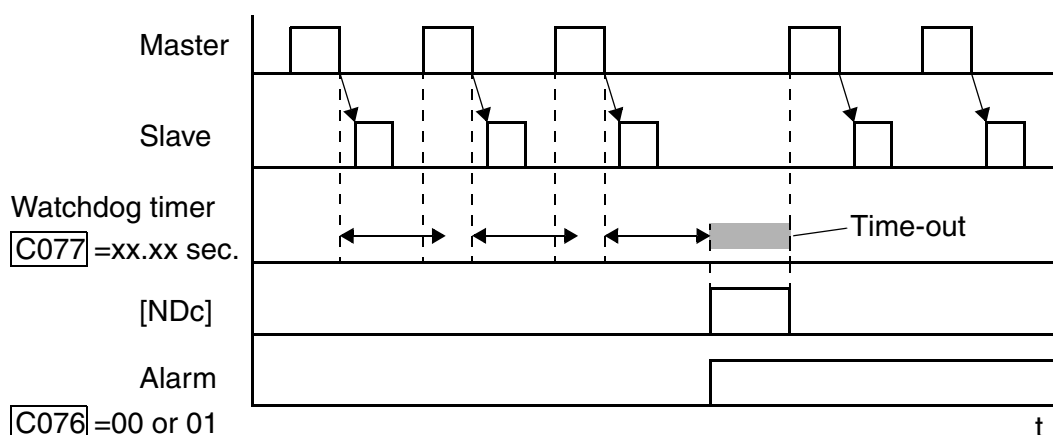
Option Code	Terminal Symbol	Function Name	Output State	Description
07	FBV	Feedback Value Check	ON	<ul style="list-style-type: none"> Transitions to ON when the inverter is in RUN Mode and the PID Process Variable (PV) is less than the Feedback Low Limit (C053)
			OFF	<ul style="list-style-type: none"> Transitions to OFF when the PID Feedback Value (PV) exceeds the PID High Limit (C052) Transitions to OFF when the inverter goes from Run Mode to Stop Mode
Valid for outputs:		11, 12, AL0 – AL2		Example (requires output configuration—see page 3-52):
Required settings:		A076, C052, C053		
<p>Notes:</p> <ul style="list-style-type: none"> The [FBV] is designed for implementing two-stage control. The PV high limit and PV low limit parameters, C052 and C053, do not function as process alarm thresholds. Terminal [FBV] does not provide a PID alarm function. The example circuit for terminal [12] drives a relay coil. Note the use of a diode to prevent the negative-going turn-off spike generated by the coil from damaging the inverter's output transistor. 				
<p>Example for terminals [AL0], [AL1], [AL2] (requires output configuration—see pages 4-37 and 3-52):</p>  <p>See I/O specs on page 4-6.</p>				

Network Detection Signal

The Network Detection Signal output indicates the general status of network communications. The inverter has a programmable watchdog timer to monitor network activity. Parameter C077 sets the time-out period. If communications stop or pause longer than the specified time-out period, the Ndc output turns ON.

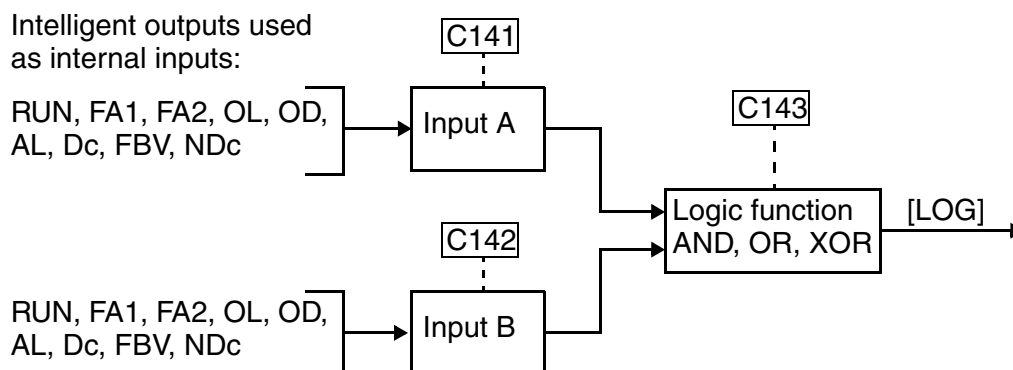
Option Code	Terminal Symbol	Function Name	Output State	Description
08	NDc	Network Detection Signal	ON	when the communications watchdog timer (period specified by C077) has timed out
			OFF	when the communications watchdog timer is satisfied by regular communications activity
Valid for outputs:		11, 12, AL0 – AL2		Example (requires output configuration—see page 3-52): 
Required settings:		C076, C077		
Notes: <ul style="list-style-type: none"> To disable the communications watchdog timer, set C077=00.00 sec. If you set Communications Error Select to “Disable” (C076=02), you still have the option of using the Network Detection Signal and setting the watchdog time-out period with C077. 				
				Example for terminals [AL0], [AL1], [AL2] (requires output configuration—see pages 4-37 and 3-52):  <p>See I/O specs on page 4-6.</p>

Additionally, the inverter can respond to a communications time-out in various ways. Refer to the following diagram (top of next page). You configure the desired response via function C076, Communications Error Select. This selects whether or not you want the inverter to trip (alarm with error code E60) and whether to stop the motor or just let it coast. Together, parameters C076 and C077 set the network detection watchdog time-out and the inverter’s response.

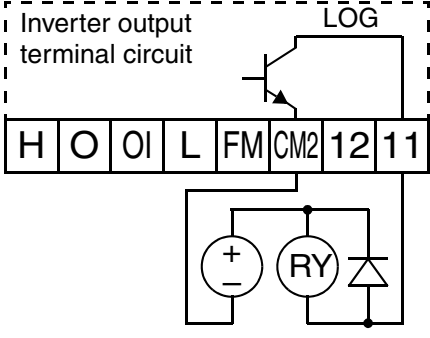
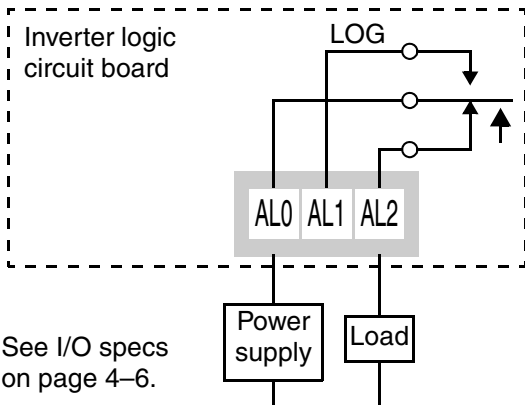


Logic Output Function

The Logic Output Function uses the inverter’s built-in logic feature. You can select any two of the other nine intelligent output options for internal inputs (use C141 and C142). Then, use C143 to configure the logic function to apply the logical AND, OR, or XOR (exclusive OR) operator as desired to the two inputs.



Input States		[LOG] Output State		
A Input (C141 select)	B Input (C142 select)	AND (C143=00)	OR (C143=01)	XOR (C143=02)
0	0	0	0	0
0	1	0	1	1
1	0	0	1	1
1	1	1	1	0

Option Code	Terminal Symbol	Function Name	Output State	Description
09	LOG	Logic Output Function	ON	when the Boolean operation specified by C143 has a logical “1” result
			OFF	when the Boolean operation specified by C143 has a logical “0” result
Valid for outputs:		11, 12, AL0 – AL2		Example (requires output configuration—see page 3-52): 
Required settings:		C141, C142, C143		
Notes:				
				Example for terminals [AL0], [AL1], [AL2] (requires output configuration—see pages 4-37 and 3-52): 

See I/O specs on page 4-6.

Option Card Detection Signal

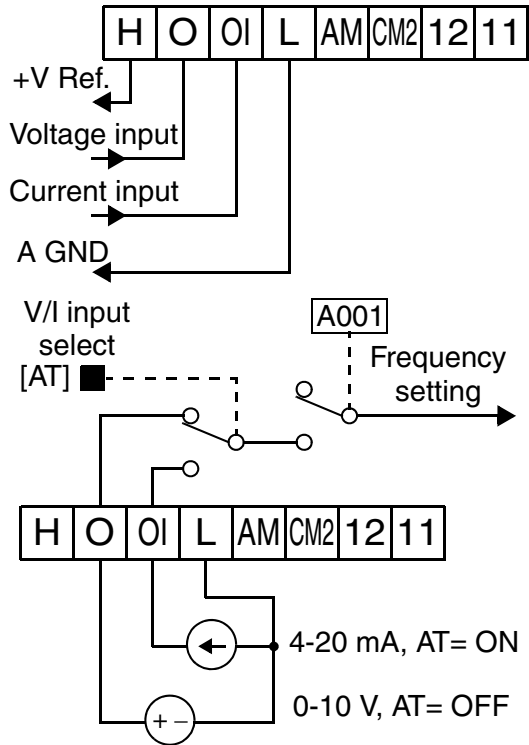
The expansion card provides a CANopen network interface for the inverter. When the card is installed, you can configure an intelligent input to indicate the network status. The watchdog timer value is set by parameter P044.

Option Code	Terminal Symbol	Function Name	Output State	Description
10	ODc	Option Card Detection Signal	ON	when the network is detected and operating normally
			OFF	when the network is not detected or not operating normally
Valid for outputs:		11, 12, AL0 – AL2		Example (requires output configuration—see page 3-52):
Required settings:		P044		
Notes:				
				Example for terminals [AL0], [AL1], [AL2] (requires output configuration—see pages 4-37 and 3-52):
				See I/O specs on page 4-6.

Analog Input Operation

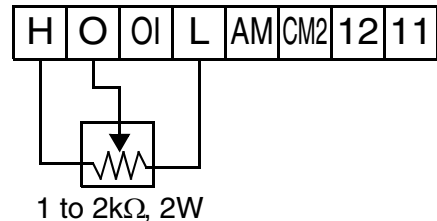
The SJ2002 inverters provide for analog input to command the inverter frequency output value. The analog input terminal group includes the [L], [OI], [O], and [H] terminals on the control connector, which provide for Voltage [O] or Current [OI] input. All analog input signals must use the analog ground [L].

If you use either the voltage or current analog input, you must select one of them using the logic input terminal function [AT] analog type. If terminal [AT] is OFF, the voltage input [O] can command the inverter output frequency. If terminal [AT] is ON, the current input [OI] can command the inverter output frequency. The [AT] terminal function is covered in “Analog Input Current/Voltage Select” on page 4-24. Remember that you must also set A001 = 01 to select analog input as the frequency source.

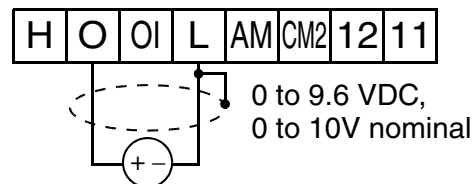


NOTE: If no logic input terminal is configured for the [AT] function, then inverter sums the voltage and current input to determine the desired input value.

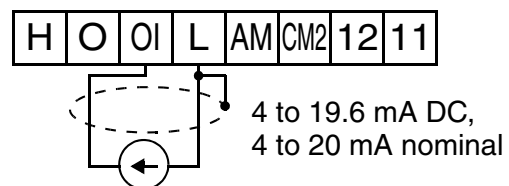
Using an external potentiometer is a common way to control the inverter output frequency (and a good way to learn how to use the analog inputs). The potentiometer uses the built-in 10V reference [H] and the analog ground [L] for excitation, and the voltage input [O] for the signal. By default, the [AT] terminal selects the voltage input when it is OFF. Take care to use the proper resistance for the potentiometer, which is 1 to 2 k Ohms, 2 Watts.



Voltage Input – The voltage input circuit uses terminals [L] and [O]. Attach the signal cable’s shield wire only to terminal [L] on the inverter. Maintain the voltage within specifications (do not apply negative voltage).



Current Input – The current input circuit uses terminals [OI] and [L]. The current comes from a *sourcing* type transmitter; a *sinking* type will not work! This means the current must flow into terminal [OI], and terminal [L] is the return back to the transmitter. The input impedance from [OI] to [L] is 250 Ohms. Attach the cable shield wire only to terminal [L] on the inverter.



See I/O specs on page 4-6.

The following table shows the available analog input settings. Parameter A005 and the input terminal [AT] determine the External Frequency Command input terminals that are available, and how they function. The analog inputs [O] and [OI] use terminal [L] as the reference (signal return).

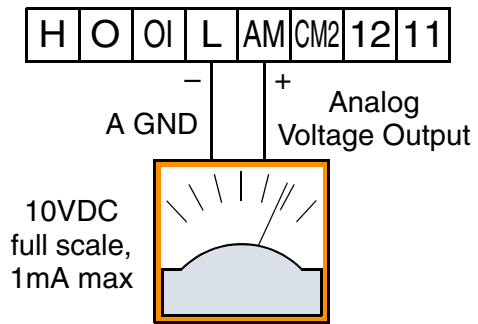
A005	[AT] Input	Analog Input Configuration
00	OFF	[O]
	ON	[OI]
01	(ignored)	Sum ([O] + [OI])
02	OFF	[O]
	ON	Keypad potentiometer
03	OFF	[OI]
	ON	Keypad potentiometer

Other Analog Input-related topics:

- “Analog Input Settings” on page 3-13
- “Additional Analog Input Settings” on page 3-28
- “Analog Signal Calibration Settings” on page 3-57
- “Analog Input Current/Voltage Select” on page 4-24
- “ADD Frequency Enable” on page 4-33
- “Analog Input Disconnect Detect” on page 4-46

Analog Output Operation

In inverter applications it is useful to monitor the inverter operation from a remote location or from the front panel of an inverter enclosure. In some cases, this requires only a panel-mounted volt meter. In other cases, a controller such as a PLC may provide the inverter's frequency command, and require inverter feedback data (such as output frequency or output current) to confirm actual operation. The analog output terminal [AM] serves these purposes.



See I/O specs on page 4-6.

The inverter provides an analog voltage output on terminal [AM] with terminal [L] as analog GND reference. The [AM] can output inverter frequency or current output value. Note that the voltage range is 0 to +10V (positive-going only), regardless of forward or reverse motor rotation. Use C028 to configure terminal [FM] as indicated below.

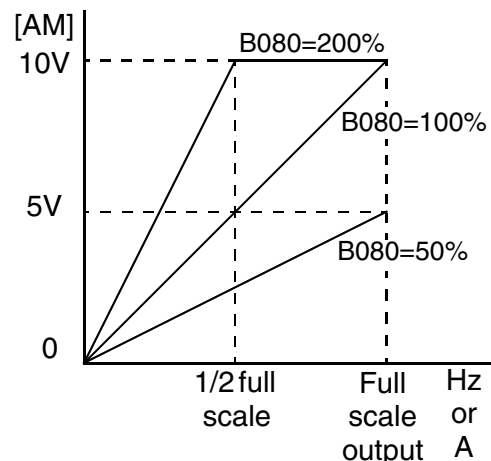
Func.	Code	Description	Range
C028	00	Output frequency	0 – Max. frequency (Hz)
	01	Output current	0 – 200%

The [AM] signal offset and gain are adjustable, as indicated below.

Func.	Description	Range	Default
B080	[AM] analog signal gain	0 to 255	100
C086	[AM] terminal offset tuning	0 – 10V	0.0

The graph to the right shows the effect of the gain setting. To calibrate the [AM] output for your application, follow the steps below:

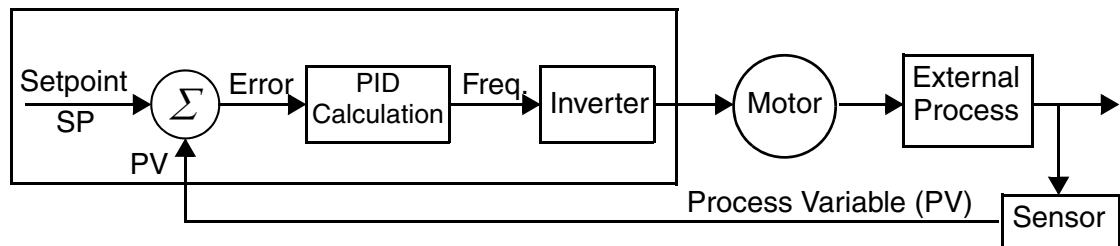
1. Verify that the inverter is in Stop Mode.
2. Use C086 to adjust the offset voltage. The factory default (0V) is the correct value for most cases. Otherwise, you can have a positive voltage at zero speed or current.
3. Run the motor at the full scale speed.
 - a. If [AM] represents output frequency, use B080 to set the voltage for full scale output (up to 10V).
 - b. If [AM] represents motor current, use B080 to set the voltage for full scale output. Remember to leave room at the upper end of the range for increased current when the motor is under heavier loads.



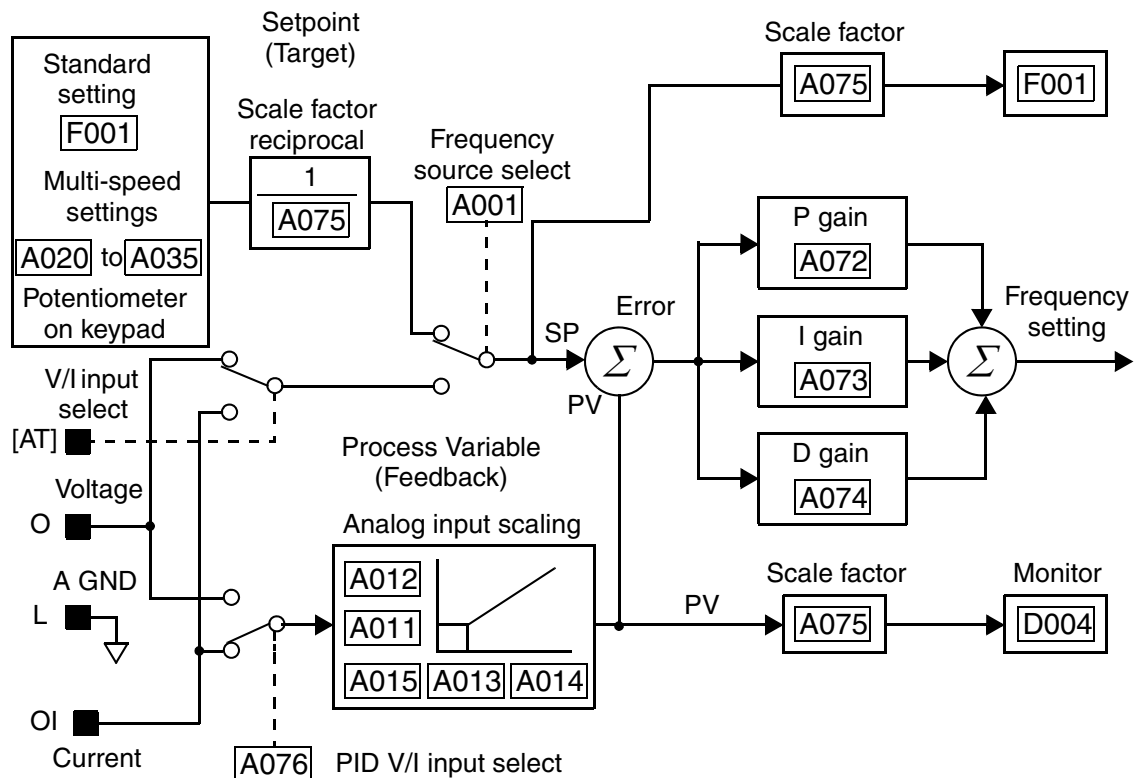
PID Loop Operation

In standard operation, the inverter uses a reference source selected by parameter A001 for the output frequency, which may be a fixed value (F001), a variable set by the front panel potentiometer, or value from an analog input (voltage or current). To enable PID operation, set A071 = 01. This causes the inverter to *calculate* the target frequency, or setpoint.

A calculated target frequency can have a lot of advantages. It lets the inverter adjust the motor speed to optimize some other process of interest, potentially saving energy as well. Refer to the figure below. The motor acts upon the external process. To control that external process, the inverter must monitor the process variable. This requires wiring a sensor to either the analog input terminal [O] (voltage) or terminal [OI] (current).



When enabled, the PID loop calculates the ideal output frequency to minimize the loop error. This means we no longer command the inverter to run at a particular frequency, but we specify the ideal value for the process variable. That ideal value is called the *setpoint*, and is specified in the units of the external process variable. For a pump application it may be gallons/minute, or it could be air velocity or temperature for an HVAC unit. Parameter A075 is a scale factor that relates the external process variable units to motor frequency. The figure below is a more detailed diagram of the PID function.



Operations and Monitoring

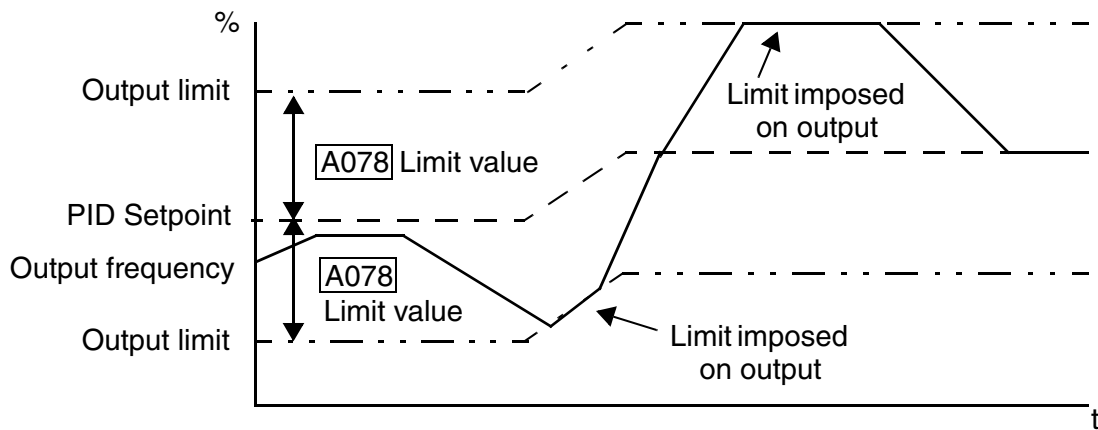
PID Loop Configuration

The inverter's PID loop algorithm is configurable for various applications.

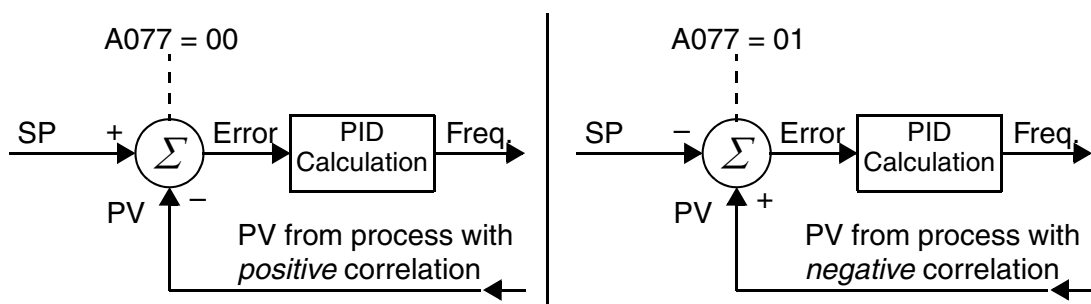
PID Output Limit - The PID loop controller has a built-in output limit function. This function monitors the difference between the PID setpoint and the loop output (inverter output frequency), measured as a percentage of the full scale range of each. The limit is specified by parameter A078.

- When the difference $|(Setpoint - loop\ output)|$ is smaller than or equal to the A078 limit value, the loop controller operates in its normal linear range.
- When the difference $|(Setpoint - loop\ output)|$ is larger than the A078 limit value, the loop controller changes the output frequency as needed so that the difference does not exceed the limit.

The diagram below shows PID setpoint changes and the related output frequency behavior when a limit value in A078 exists.



Error Inversion - In typical heating loops or ventilation loops, an increase in energy into the process results in an *increasing* PV. In this case, the Loop Error = $(SP - PV)$. For cooling loops, an increase in energy into the process results in a *decreasing* PV. In this case, the Loop Error = $-(SP - PV)$. Use A077 to configure the error term.



Other PID-related topics:

- “PID Control” on page 3-23
- “PID ON/OFF and PID Clear” on page 4-29
- “Output Deviation for PID Control” on page 4-43
- “PID Second Stage Output” on page 4-47

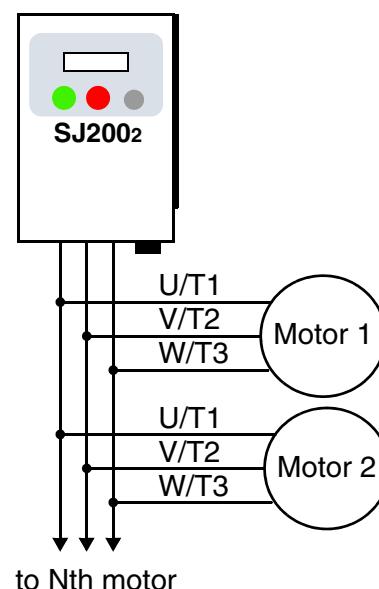
Configuring the Inverter for Multiple Motors

Simultaneous Connections

For some applications, you may need to connect two or more motors (wired in parallel) to a single inverter's output. For example, this is common in conveyor applications where two separate conveyors need to have approximately the same speed. The use of two motors may be less expensive than making the mechanical link for one motor to drive multiple conveyors.

Some of the characteristics of using multiple motors with one drive are:

- Use only V/f (voltage-frequency) control; do not use iSLV (intelligent sensorless vector control).
- The inverter output must be rated to handle the sum of the currents from the motors.
- You must use separate thermal protection switches or devices to protect each motor. Locate the device for each motor inside the motor housing or as close to it as possible.
- The wiring for the motors must be permanently connected in parallel (do not remove one motor from the circuit during operation).



NOTE: The motor speeds are identical only in theory. That is because slight differences in their loads will cause one motor to slip a little more than another, even if the motors are identical. Therefore, do not use this technique for multi-axis machinery that must maintain a fixed position reference between its axes.

Inverter Configuration for Two Motor Types

Some equipment manufacturers may have a single type of machine that has to support two different motor types—and only one motor will be connected at a time. For example, an OEM may sell basically the same machine to the US market and the European market. Some reasons why the OEM needs two motor profiles are:

- The inverter power input voltage is different for these markets.
- The required motor type is also different for each destination.

In other cases, the inverter needs two profiles because the machine characteristics vary according to these situations:

- Sometimes the motor load is very light and can move fast. Other times the motor load is heavy and must move slower. Using two profiles allows the motor speed, acceleration and deceleration to be optimal for the load and avoid inverter trip (fault) events.
- Sometimes the slower version of the machine does not have special braking options, but a higher performance version does have braking features.

Having two motor profiles lets you store two “personalities” for motors in one inverter’s memory. The inverter allows the final selection between the two motor types to be made in the field through the use of an intelligent input terminal function [SET]. This provides an extra level of flexibility needed in particular situations. See the following table.

Parameters for the second motor have a function code of the form x2xx. They appear immediately after the first motor’s parameter in the menu listing order. The following table lists the parameters that have the second parameter register for programming.

Function Name	Parameter Codes	
	1st motor	2nd motor
Multi-speed frequency setting	A020	A220
Acceleration (1) time setting	F002	F202
Deceleration (1) time setting	F003	F203
Acceleration (2) time setting	A092	A292
Deceleration (2) time setting	A093	A293
Select method to use Acc2/Dec2	A094	A294
Acc1 to Acc2 frequency transition point	A095	A295
Dec1 to Dec2 frequency transition point	A096	A296
Level of electronic thermal setting	B012	B212
Electronic thermal characteristic	B013	B213
Manual torque boost value	A042	A242
Manual torque boost frequency adjustment	A043	A243
V/f characteristic curve selection	A044	A244
iSLV voltage gain	A046	A246
iSLV slip compensation	A047	A247
Base frequency setting	A003	A203
Maximum frequency setting	A004	A204
Frequency upper limit setting	A061	A261
Frequency lower limit setting	A062	A262
Motor capacity	H003	H203
Motor poles setting	H004	H204
Motor stabilization constant	H006	H206
Motor voltage select	H007	H207

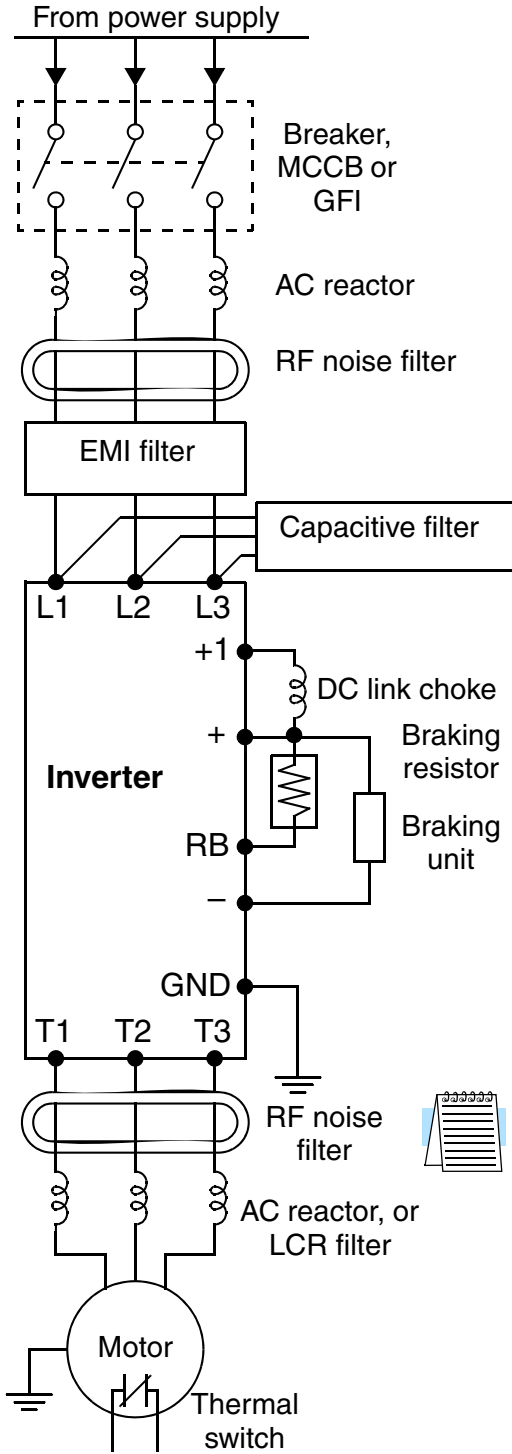
Inverter System Accessories



In This Chapter....	page
— Introduction	2
— Component Descriptions	3
— Dynamic Braking	5

Introduction

A motor control system will obviously include a motor and inverter, as well as fuses for safety. If you are connecting a motor to the inverter on a test bench just to get started, that's all you may need for now. But a fully developed system can also have a variety of additional components. Some can be for noise suppression, while others may enhance the inverter's braking performance. The figure below shows a system with several possible optional components, and the table gives part number information.



Name	Part No. Series		See page
	Europe, Japan	USA	
AC reactor, input side	ALI-xxx2	HRL-x	5-3
RF noise filter, input side	ZCL-xxx	ZCL-xxx	5-4
EMI filter (for CE)	FFL100-xxx	FFL100-xxx	5-4
Capacitive filter	CFI-x	CFI-x	5-4
DC link choke	DCL-x-xx	HDC-xxx	5-4
Braking resistor	JRB-xxx-x SRB-xxx-x	JRB-xxx-x SRB-xxx-x	5-5
Braking resistor, NEMA-rated	—	HRB-x, NSRBx00-x NJRB-xxx	5-5
Resistance braking unit	BRD-xxx	BRD-xxx	5-5
RF noise filter, output side	ZCL-xxx	ZCL-xxx	5-4
AC reactor, output side	ALI-x2-xxx	HRL-xxx	5-3
LCR filter	Combination: ALI-x2-xxx LPF-xxx R-2-xxx	HRL-xxC	5-3

Note: The Hitachi part number series for accessories includes different sizes of each part type, specified by the -x suffix. Hitachi product literature can help match size and rating of your inverter to the proper accessory size.

Each inverter accessory comes with its own printed instruction manual. Please refer to those manuals for complete installation details. This chapter gives only an overview of these optional system devices.

Component Descriptions

AC Reactors, Input Side

This is useful in suppressing harmonics induced on the power supply lines, or when the main power voltage imbalance exceeds 3% (and power source capacity is more than 500 kVA), or to smooth out line fluctuations. It also improves the power factor.

In the following cases for a general-purpose inverter, a large peak current flows on the main power supply side, and is able to destroy the inverter module:

- If the unbalanced factor of the power supply is 3% or higher
- If the power supply capacity is at least 10 times greater than the inverter capacity (the power supply capacity is 500 kVA or more)
- If abrupt power supply changes are expected

Examples of these situations include:

1. Several inverters are connected in parallel, sharing the same power bus
2. A thyristor converter and an inverter are connected in parallel, sharing the same power bus
3. An installed phase-advance (power factor correction) capacitor opens and closes

Where these conditions exist or when the connected equipment must be highly reliable, you **MUST** install an input-side AC reactor of 3% (at a voltage drop at rated current) with respect to the supply voltage on the power supply side. Also, where the effects of an indirect lightning strike are possible, install a lightning conductor.

Example calculation:

$$V_{RS} = 205\text{V}, V_{ST} = 203\text{V}, V_{TR} = 197\text{V},$$

where V_{RS} is R-S line voltage, V_{ST} is S-T line voltage, V_{TR} is T-R line voltage

$$\text{Unbalance factor of voltage} = \frac{\text{Max. line voltage (min.)} - \text{Mean line voltage}}{\text{Meanline voltage}} \times 100$$

$$= \frac{V_{RS} - (V_{RS} + V_{ST} + V_{TR})/3}{(V_{RS} + V_{ST} + V_{TR})/3} \times 100 = \frac{205 - 202}{202} \times 100 = 1.5\%$$

Please refer to the documentation that comes with the AC reactor for installation instructions.

AC Reactors, Output Side

This reactor reduces the vibrations in the motor caused by the inverter's switching waveforms, by smoothing the waveforms to approximate commercial power quality. It is also useful to reduce the reflected voltage wave phenomenon when wiring from the inverter to the motor is more than 10m in length. Please refer to the documentation that comes with the AC reactor for installation instructions.

Zero-phase Reactor (RF Noise Filter)

The zero-phase reactor helps reduce radiated noise from the inverter wiring. It can be used on the input or output side of the inverter. The example zero-phase reactor shown to the right comes with a mounting bracket. The wiring must go through the opening to reduce the RF component of the electrical noise. Loop the wires three times (four turns) to attain the full RF filtering effect. For larger wire sizes, place multiple zero-phase reactors (up to four) side-by-side for a greater filtering effect.



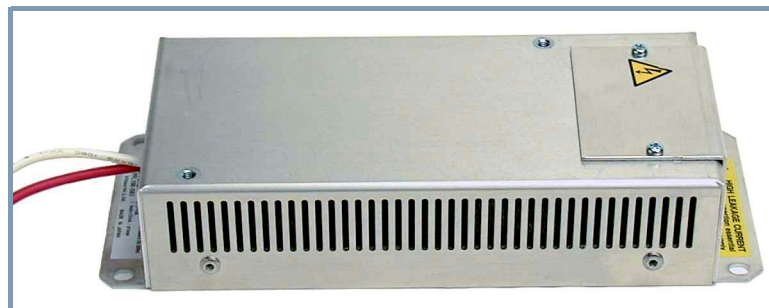
ZCL-xxx

EMI Filter

The EMI filter reduces the conducted noise on the power supply wiring generated by the inverter. Connect the EMI filter to the inverter primary (input side). The FFL100 series filter is required for compliance to the EMC Class A directive (Europe) and C-TICK (Australia). See “CE-EMC Installation Guidelines” on page D-2.



WARNING: The EMI filter has high internal leakage current from power wiring to the chassis. Therefore, connect the chassis ground of the EMI filter before making the power connections to avoid danger of shock or injury.



FFL100-xxx

RF Noise Filter (Capacitive)

This capacitive filter reduces radiated noise from the main power wires in the inverter input side. This filter is not for achieving CE compliance and is applicable to the input side only of the inverter. It comes in two versions—for 200V class inverters or 400V class inverters. Please refer to the documentation that comes with the radio noise filter for installation instructions.

DC Link Choke

The DC choke (reactor) suppresses harmonics generated by the inverter. It attenuates the high-frequency components on the inverter’s internal DC bus (link). However, note that it does not protect the diode rectifiers in the inverter input circuit.

Dynamic Braking

Introduction

The purpose of dynamic braking is to improve the ability of the inverter to stop (decelerate) the motor and load. This becomes necessary when an application has some or all of the following characteristics:

- High load inertia compared to the available motor torque
- The application requires frequent or sudden changes in speed
- System losses are not great enough to slow the motor as needed

When the inverter reduces its output frequency to decelerate the load, the motor can temporarily become a generator. This occurs when the motor rotation frequency is higher than the inverter output frequency. This condition can cause the inverter DC bus voltage to rise, resulting in an over-voltage trip. In many applications, the over-voltage condition serves as a warning signal that we have exceeded the deceleration capabilities of the system. SJ2002 inverters have a built-in braking unit, which sends the regenerative energy from the motor during deceleration to the optional braking resistor(s). External braking units may also be used if higher braking torques and/or duty cycles are required. The dynamic braking resistor serves as a load, developing heat to stop the motor just as brakes on an automobile develop heat during braking.

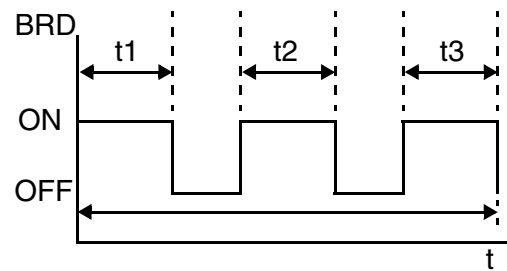
The braking resistor is the main component of a braking resistor assembly that includes a fuse and thermally activated alarm relay for safety. However, be careful to avoid overheating its resistor. The fuse and thermal relay are safeguards for extreme conditions, but the inverter can maintain braking usage in a safe zone.



Braking Resistor

Dynamic Braking Usage Ratio

The inverter controls braking via a duty cycle method (percent of the time braking is ON versus total time). Parameter B090 sets the dynamic braking usage ratio. In the graph to the right, the example shows three uses of dynamic braking in a 100-second period. The inverter calculates the average percentage usage in that time (T%). The percentage of usage is proportional to the heat dissipated. If T% is greater than the B090 parameter setting, the inverter enters the Trip Mode and turns OFF the frequency output.



$$\boxed{\text{B } 90} \quad T\% = \frac{(t1 + t2 + t3)}{100 \text{ seconds}} \times 100$$

Please note the following:

- When B090 is set for 0%, dynamic braking is not performed.
- When the T% value exceeds the limit set by B090, dynamic braking ends.
- When mounting an external dynamic braking unit, set the usage ratio (B090) to 0.0 and remove the external resistors.
- The cable from the external resistor to the inverter must not exceed 5 m (16 ft.) length.
- The individual wires from the resistor to the inverter must not be bundled together.

Dynamic Braking Selection Tables

The SJ2002 series inverter models have internal braking units. Additional stopping torque is available by adding external resistors. The required braking torque depends on your particular application. Other tables in this section will help you choose the proper resistor.

200V Class		Without External Resistor		Using Optional External Resistor		Performance at Minimum Resistance			Min. Resistance at 100% Braking Duty Cycle (Ohms)
SJ2002 Model Number	HP	Braking Unit	Braking Torque (%)	Resistance (Ohms)	Braking Torque	Min. Resistance (Ohms)	Braking Torque	Max. Braking Duty Cycle (%)	
002NFE(F)/NFU	1/4	Built-in	50	180	150	100	200	10	150
004NFE(F)/NFU	1/2	Built-in	50	180	150	100	200	10	150
005NFE(F)	3/4	Built-in	50	180	150	100	200	10	150
007NFE(F)/NFU	1	Built-in	50	100	150	35	200	10	150
011NFE(F)	1.5	Built-in	50	50	150	35	200	10	150
015NFE(F)/NFU	2	Built-in	50	50	150	35	200	10	100
022NFE(F)/NFU	3	Built-in	20	50	100	35	150	10	100
037LFU	5	Built-in	20	35	100	35	100	10	100
055LFU	7.5	Built-in	20	17	80	17	80	10	50
075LFU	10	Built-in	20	17	80	17	80	10	50

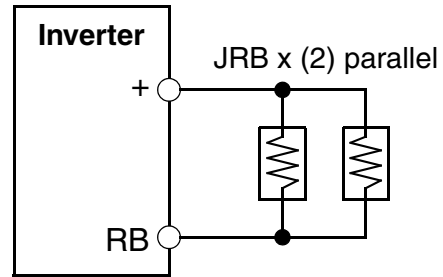
400V Class		Without External Resistor		Using Optional External Resistor		Performance at Minimum Resistance			Min. Resistance at 100% Braking Duty Cycle (Ohms)
SJ2002 Model Number	HP	Braking Unit	Braking Torque (%)	Resistance (Ohms)	Braking Torque	Min. Resistance (Ohms)	Braking Torque	Max. Braking Duty Cycle (%)	
004HFE(F)/HFU	1/2	Built-in	50	180	150	180	150	10	500
007HFE(F)/HFU	1	Built-in	50	180	150	180	150	10	300
015HFE(F)/HFU	2	Built-in	50	180	150	180	150	10	300
022HFE(F)/HFU	3	Built-in	20	100	100	100	100	10	300
030HFE(F)	4	Built-in	20	100	100	100	100	10	200
040HFE(F)/HFU	5	Built-in	20	100	100	100	100	10	200
055HFE(F)/HFU	7.5	Built-in	20	70	80	70	80	10	200
075HFE(F)/HFU	10	Built-in	20	70	80	70	80	10	150

Selecting Braking Resistors for Internal Braking Units

You can add one or more resistors to your inverter configuration to increase braking torque performance. The tables below lists the resistor types for inverter models with internal braking units. Tables for inverters with external braking units are on the next two pages.

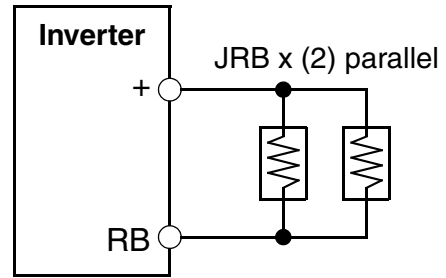
- Total Ohms – lists the resistance value of the resistor or, if using multiple resistors, their combined resistance
- Total Watts – lists the power dissipation of the resistor or, if using multiple resistors, their combined power dissipation
- Maximum Duty Cycle – the maximum allowable percentage of braking time over any 100-second interval to avoid overheating the resistor(s)
- Maximum Braking Torque – the maximum braking torque that the inverter / resistor combination can deliver

The table below lists 200V-class inverter models with built-in braking units. Depending on the desired braking torque or on the inverter model, the resistor selection specifies multiple resistors in a parallel or series combination. The example diagram shows a parallel configuration. Please refer to the braking resistor documentation for detailed wiring diagrams.



200V Class		Dynamic Braking Resistor Selection											
		JRB Series				SRB/NSRB Series				HRB Series			
SJ2002 Model Number	HP	Type & (Qty)	Total Ohms	Total Watts	Max. Duty Cycle (%)	Type & (Qty)	Total Ohms	Total Watts	Max. Duty Cycle (%)	Type & (Qty)	Total Ohms	Total Watts	Max. Duty Cycle (%)
002NFE(F)2/NFU2	1/4	120-1	180	120	5.0	200-1	180	200	10.0				
004NFE(F)2/NFU2	1/2	120-1	180	120	5.0	200-1	180	200	10.0				
005NFE(F)2	3/4	120-1	180	120	5.0	200-1	180	200	10.0				
007NFE(F)2/NFU2	1	120-2	100	120	2.5	200-2	100	200	7.5				
011NFE(F)2	1.5	120-2	100	120	2.5	200-2	100	200	7.5				
015NFE(F)2/NFU2	2	120-3	50	120	1.5	300-1	50	300	7.5				
022NFE(F)2/NFU2	3	120-3	50	120	1.5	300-1	50	300	7.5				
037LFU2	5	120-4	35	120	1.0	400-1	35	400	7.5				
055LFU2	7.5	120-4	17.5	240	1.0	400-1	17.5	800	7.5	HRB3	17	1200	10.0
075LFU2	10	x (2) in parallel	17.5	240	1.0	x (2) in parallel	17.5	800	7.5	HRB3	17	1200	10.0

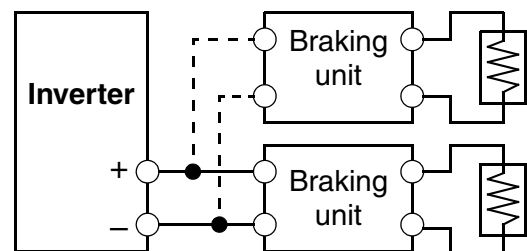
The table below lists 400V-class inverter models with built-in braking units. Depending on the desired braking torque or on the inverter model, the resistor selection specifies multiple resistors in a parallel or series combination. The example diagram shows a parallel configuration. Please refer to the braking resistor documentation for detailed wiring diagrams.



400V Class		Dynamic Braking Resistor Selection											
		JRB Series				SRB/NSRB Series				HRB Series			
SJ2002 Model Number	HP	Type & (Qty)	Total Ohms	Total Watts	Max. Duty Cycle (%)	Type & (Qty)	Total Ohms	Total Watts	Max. Duty Cycle (%)	Type & (Qty)	Total Ohms	Total Watts	Max. Duty Cycle (%)
004HFE(F)2/HFU2	1/2	120-1	180	120	2.0	200-1	180	200	4.0				
007HFE(F)2/HFU2	1	120-1	180	120	2.0	200-1	180	200	4.0				
015HFE(F)2/HFU2	2	120-1	180	120	2.0	200-1	180	200	4.0				
022HFE(F)2/HFU2	3	120-2	100	120	1.5	200-2	100	200	3.0				
030HFE2	4	120-2	100	120	1.5	200-2	100	200	3.0				
040HFE(F)2/HFU2	5	120-2	100	120	1.5	200-2	100	200	3.0				
055HFE(F)2/HFU2	7.5	120-4 x (2) in series	70	240	1.0	400-1 x (2) in series	70	800	7.5	RB2 x (2) in series	70	1200	10.0
075HFE(F)2/HFU2	10		70	240	1.0		70	800	7.5		70	1200	10.0

Selecting Braking Resistors for External Braking Units

200V Class Inverters – The following tables specify the braking options for 200V class SJ2002 inverters and the braking torque for each option. You can connect a single braking unit to the inverter, or two braking units for additional stopping torque.



Use one BRD-E2 braking unit for the braking torque listed in the following table.

Note the column meanings in the tables:

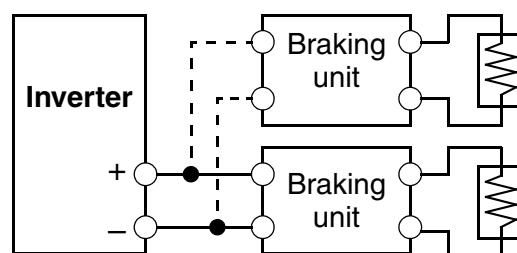
- Column “A” = Average braking torque from 60 Hz to 3 Hz.
- Column “B” = Average braking torque from 120 Hz to 3 Hz.

SJ2002 Inverter 200V Models			Braking Torque with BRD-E2 Braking Unit							
Model Number	HP	Braking torque without braking unit	Using built-in resistor only		External resistor added					
					HRB1		HRB2		HRB3	
			A	B	A	B	A	B	A	B
002NFE(F)2/NFU2	1/4	50%	150%	120%						
004NFE(F)2/NFU2	1/2	50%	150%	120%						
005NFE(F)2	3/4	50%	100%	80%	150%	120%				
007NFE(F)2/NFU2	1	50%	100%	80%	150%	120%				
011NFE(F)2	1.5	50%	60%	60%	100%	80%				
015NFE(F)2/NFU2	2	50%	50%	50%	100%	80%				
022NFE(F)2/NFU2	3	20%	50%	50%	100%	80%				
037LFU2	5	20%	40%	40%	60%	60%	100%	80%	150%	120%
055LFU2	7.5	20%	30%	30%	50%	50%	80%	60%	100%	80%
075LFU2	10	20%	20%	20%	40%	40%	60%	60%	80%	80%

Connect a second braking unit in parallel for additional braking torque listed in the following table.

SJ2002 Inverter 200V Models			Braking Torque with TWO (2) BRD-E2 Braking Units							
Model Number	HP	Braking torque without braking unit	Using built-in resistor only		External resistor added					
					HRB1		HRB2		HRB3	
			A	B	A	B	A	B	A	B
002NFE(F)2/NFU2	1/4	50%	150%	150%						
004NFE(F)2/NFU2	1/2	50%	150%	150%						
005NFE(F)2	3/4	50%	150%	150%						
007NFE(F)2/NFU2	1	50%	150%	120%						
011NFE(F)2	1.5	50%	100%	80%						
015NFE(F)2/NFU2	2	50%	70%	70%	150%	120%				
022NFE(F)2/NFU2	3	20%	70%	70%	150%	120%				
037LFU2	5	20%	50%	50%	110%	90%				
055LFU2	7.5	20%	30%	30%	80%	80%	90%	90%	100%	80%
075LFU2	10	20%	30%	30%	60%	60%	80%	80%	100%	80%

400V Class Inverters –The following tables specify the braking options for 400V class SJ2002 inverters and the braking torque for each option. You can connect a single braking unit to the inverter, or two braking units for additional braking torque.



Use one BRD–E2 braking unit for the braking torque listed in the following table.

SJ2002 Inverter 400V Models			Braking Torque with BRD–EZ2 Braking Unit							
Model Number	HP	Braking torque without braking unit	Using built-in resistor only		External resistor added					
					HRB1		HRB2		HRB3	
			A	B	A	B	A	B	A	B
004HFE(F)2/HFU2	1/2	50%	150%	120%						
007HFE(F)2/HFU2	1	50%	100%	80%	150%	120%				
015HFE(F)2/HFU2	2	50%	60%	60%	100%	80%	120%	100%	150%	120%
022HFE(F)2/HFU2	3	20%	50%	50%	100%	80%	120%	100%	150%	120%
030HFE(F)2	4	20%	40%	40%	80%	60%	100%	80%	150%	120%
040HFE(F)2/HFU2	5	20%	40%	40%	60%	60%	80%	60%	150%	120%
055HFE(F)2/HFU2	7.5	20%	30%	30%	50%	50%	80%	60%	100%	80%
075HFE(F)2/HFU2	10	20%	20%	20%	40%	40%	60%	40%	80%	80%

Connect a second braking unit in parallel for additional braking torque listed in the following table.

SJ2002 Inverter 400V Models			Braking Torque with TWO (2) BRD–EZ2 Braking Units							
Model Number	HP	Braking torque without braking unit	Using built-in resistor only		External resistor added					
					HRB1		HRB2		HRB3	
			A	B	A	B	A	B	A	B
004HFE(F)2/HFU2	1/2	50%	150%	120%						
007HFE(F)2/HFU2	1	50%	150%	120%						
015HFE(F)2/HFU2	2	50%	100%	80%						
022HFE(F)2/HFU2	3	20%	70%	70%	150%	120%				
030HFE(F)2	4	20%	50%	50%	110%	90%				
040HFE(F)2/HFU2	5	20%	50%	50%	110%	90%				
055HFE(F)2/HFU2	7.5	20%	30%	30%	80%	80%	90%	90%	100%	100%
075HFE(F)2/HFU2	10	20%	30%	30%	60%	60%	80%	80%	100%	100%



Troubleshooting and Maintenance

A decorative graphic consisting of a black parallelogram with a white number '6' inside. This parallelogram is centered within a larger, light gray parallelogram that has a white diagonal line running from the top-left to the bottom-right.

6

In This Chapter....	page
— Troubleshooting.....	2
— Monitoring Trip Events, History, & Conditions ..	5
— Restoring Factory Default Settings	8
— Maintenance and Inspection	9
— Warranty	16

Troubleshooting

Safety Messages

Please read the following safety messages before troubleshooting or performing maintenance on the inverter and motor system.



WARNING: Wait at least five (5) minutes after turning OFF the input power supply before performing maintenance or an inspection. Otherwise, there is the danger of electric shock.



WARNING: Make sure that only qualified personnel will perform maintenance, inspection, and part replacement. Before starting to work, remove any metallic objects from your person (wristwatch, bracelet, etc.). Be sure to use tools with insulated handles. Otherwise, there is a danger of electric shock and/or injury to personnel.



WARNING: Never remove connectors by pulling on its wire leads (wires for cooling fan and logic P.C.board). Otherwise, there is a danger of fire due to wire breakage and/or injury to personnel.

General Precautions and Notes

- Always keep the unit clean so that dust or other foreign matter does not enter the inverter.
- Take special care in regard to breaking wires or making connection mistakes.
- Firmly connect terminals and connectors.
- Keep electronic equipment away from moisture and oil. Dust, steel filings and other foreign matter can damage insulation, causing unexpected accidents, so take special care.

Inspection Items

This chapter provides instructions or checklists for these inspection items:

- Daily inspection
- Periodic inspection (approximately once a year)
- Insulation resistance test

Troubleshooting Tips

The table below lists typical symptoms and the corresponding solution(s).

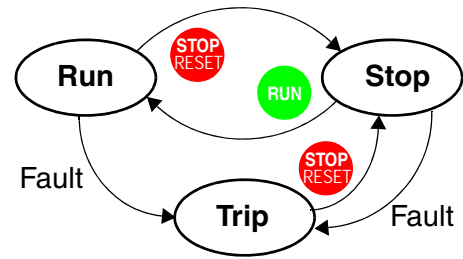
Symptom/condition		Probable Cause	Solution
The motor will not run.	The inverter outputs [U], [V], [W] are not supplying voltage.	<ul style="list-style-type: none"> Is the frequency command source A001 parameter setting correct? Is the Run command source A002 parameter setting correct? 	<ul style="list-style-type: none"> Make sure the parameter setting A001 is correct. Make sure the parameter setting A002 is correct.
		<ul style="list-style-type: none"> Is power being supplied to terminals [L1], [L2], and [L3/N]? If so, the POWER lamp should be ON. 	<ul style="list-style-type: none"> Check terminals [L1], [L2], and [L3/N], then [U/T1], [V/T2], and [W/T3]. Turn ON the power supply or check fuses.
		<ul style="list-style-type: none"> Is there an error code EXX displayed? 	<ul style="list-style-type: none"> Press the Func. key and determine the error type. Eliminate the error cause, then clear the error (Reset).
		<ul style="list-style-type: none"> Are the signals to the intelligent input terminals correct? Is the Run Command active? Is the [FW] terminal (or [RV]) connected to [PCS] (via switch, etc.) 	<ul style="list-style-type: none"> Verify the terminal functions for C001 – C006 are correct. Turn ON Run Command enable. Supply 24V to [FW] or [RV] terminal, if configured.
		<ul style="list-style-type: none"> Has the frequency setting for F001 been set greater than zero? Are the control circuit terminals [H], [O], and [L] connected to the potentiometer? 	<ul style="list-style-type: none"> Set the parameter for F001 to a safe, non-zero value. If the potentiometer is the frequency setting source, verify voltage at [O] > 0V.
		<ul style="list-style-type: none"> Is the RS (reset) function or FRS (free-run stop) function ON? 	<ul style="list-style-type: none"> Turn OFF the command(s).
	Inverter outputs [U], [V], [W] are supplying voltage.	<ul style="list-style-type: none"> Is the motor load too heavy? 	<ul style="list-style-type: none"> Reduce load, and test the motor independently.
The optional remote operator is used (SRW).	<ul style="list-style-type: none"> Are the operational settings between the remote operator and the inverter unit correct? 	<ul style="list-style-type: none"> Check the operator type setting. 	
The direction of the motor is reversed.	<ul style="list-style-type: none"> Are the connections of output terminals [U/T1], [V/T2], and [W/T3] correct? Is the phase sequence of the motor forward or reverse with respect to [U/T1], [V/T2], and [W/T3]? 	<ul style="list-style-type: none"> Make connections according to the phase sequence of the motor. In general: FWD = U-V-W, and REV=U-W-V. 	
	<ul style="list-style-type: none"> Are the control terminals [FW] and [RV] wired correctly? Is parameter F004 properly set? 	<ul style="list-style-type: none"> Use terminal [FW] for forward, and [RV] for reverse. Set motor direction in F004. 	

Symptom/condition		Probable Cause	Solution
The motor speed will not reach the target frequency (desired speed).		<ul style="list-style-type: none"> • If using the analog input, is the current or voltage at [O] or [OI]? 	<ul style="list-style-type: none"> • Check the wiring. • Check the potentiometer or signal generating device.
		<ul style="list-style-type: none"> • Is the load too heavy? 	<ul style="list-style-type: none"> • Reduce the load. • Heavy loads activate the overload restriction feature (reduces output as needed).
		<ul style="list-style-type: none"> • Is the inverter internally limiting the output frequency? 	<ul style="list-style-type: none"> • Check max frequency setting (A004) • Check frequency upper limit setting (A061)
The rotation is unstable.		<ul style="list-style-type: none"> • Is the load fluctuation too great? • Is the supply voltage unstable? • Is the problem occurring at a particular frequency? 	<ul style="list-style-type: none"> • Increase the motor capacity (both inverter and motor). • Fix power supply problem. • Change the output frequency slightly, or use the jump frequency setting to skip the problem frequency.
The RPM of the motor does not match the inverter output frequency setting.		<ul style="list-style-type: none"> • Is the maximum frequency setting A004 correct? • Does the monitor function D001 display the expected output frequency? 	<ul style="list-style-type: none"> • Verify the V/f settings match motor specifications. • Make sure all scaling (such as A011 to A014) is properly set.
Inverter data is not correct.	No downloads have occurred.	<ul style="list-style-type: none"> • Was power turned OFF after a parameter edit but before pressing the Store key? • Edits to data are permanently stored at power down. Was the time from power OFF to power ON less than six seconds? 	<ul style="list-style-type: none"> • Edit the data and press the Store key once. • Wait six seconds or more before turning power OFF after editing data.
	A download to the inverter was attempted.	<ul style="list-style-type: none"> • Was the power turned OFF within six seconds after the display changed from REMT to INV? 	<ul style="list-style-type: none"> • Copy the data to the inverter again, and keep power ON for six seconds or more after copying.
A parameter will not change after an edit (reverts to old setting).	True for certain parameters	<ul style="list-style-type: none"> • Is the inverter in Run Mode? Some parameters cannot be edited during Run Mode. 	<ul style="list-style-type: none"> • Put inverter in Stop Mode (press the Stop/reset key). Then edit the parameter.
	True for all parameters	<ul style="list-style-type: none"> • If you're using the [SFT] intelligent input (software lock function)—is the [SFT] input ON? 	<ul style="list-style-type: none"> • Change the state of the SFT input, and check the B031 parameter (SFT mode).

Monitoring Trip Events, History, & Conditions

Fault Detection and Clearing

The microprocessor in the inverter detects a variety of fault conditions and captures the event, recording it in a history table. The inverter output turns OFF, or “trips” similar to the way a circuit breaker trips due to an over-current condition. Most faults occur when the motor is running (refer to the diagram to the right). However, the inverter could have an internal fault and trip in Stop Mode. In either case, you can clear the fault by pressing the Stop/Reset key. Additionally, you can clear the inverter’s cumulative trip history by performing the procedure “Restoring Factory Default Settings” on page 6–8 (setting B084=00 will clear the trip history but leave inverter settings intact).



Error Codes

An error code will appear on the display automatically when a fault causes the inverter to trip. The following table lists the cause associated with the error.

Error Code	Name	Cause(s)
<i>E01</i>	Over-current event while at constant speed	The inverter output was short-circuited, or the motor shaft is locked or has a heavy load. These conditions cause excessive current for the inverter, so the inverter output is turned OFF. The dual-voltage motor is wired incorrectly.
<i>E02</i>	Over-current event during deceleration	
<i>E03</i>	Over-current event during acceleration	
<i>E04</i>	Over-current event during other conditions	
<i>E05</i>	Overload protection	When a motor overload is detected by the electronic thermal function, the inverter trips and turns OFF its output.
<i>E06</i>	Braking resistor overload	When the regenerative braking resistor exceeds the usage time allowance or usage ratio, the inverter trips and turns OFF its output to the motor.
<i>E07</i>	Over-voltage protection	When the DC bus voltage exceeds a threshold, due to regenerative energy from the motor.
<i>E08</i>	EEPROM error	When the built-in EEPROM memory has problems due to noise or excessive temperature, the inverter trips and turns OFF its output to the motor.
<i>E09</i>	Under-voltage error	A decrease of internal DC bus voltage below a threshold results in a control circuit fault. This condition can also generate excessive motor heat or cause low torque. The inverter trips and turns OFF its output.

Error Code	Name	Cause(s)
<i>E11</i> <i>E22</i>	CPU error	A malfunction in the built-in CPU has occurred, so the inverter trips and turns OFF its output to the motor.
<i>E12</i>	External trip	A signal on an intelligent input terminal configured as EXT has occurred. The inverter trips and turns OFF the output to the motor.
<i>E13</i>	USP	When the Unattended Start Protection (USP) is enabled, an error occurred when power is applied while a Run signal is present. The inverter trips and does not go into Run Mode until the error is cleared.
<i>E14</i>	Ground fault	The inverter is protected by the detection of ground faults between the inverter output and the motor upon during powerup tests. This feature protects the inverter, and does not protect humans.
<i>E15</i>	Input over-voltage	The inverter tests for input over-voltage after the inverter has been in Stop Mode for 100 seconds. If an over-voltage condition exists, the inverter enters a fault state. After the fault is cleared, the inverter can enter Run Mode again.
<i>E21</i>	Inverter thermal trip	When the inverter internal temperature is above the threshold, the thermal sensor in the inverter module detects the excessive temperature of the power devices and trips, turning the inverter output OFF.
<i>E23</i>	Gate array error	An internal inverter error has occurred in communications between the CPU and gate array IC.
<i>E35</i>	Thermistor	When a thermistor is connected to terminals [6] and [L] and the inverter has sensed the temperature is too high, the inverter trips and turns OFF the output.
<i>E60</i>	Communications error	The inverter's watchdog timer for the communications network has timed out.
- - -	Under-voltage (brown-out) with output shutoff	Due to low input voltage, the inverter turns its output OFF and tries to restart. If it fails to restart, then the alarm trips to record the under-voltage error event.

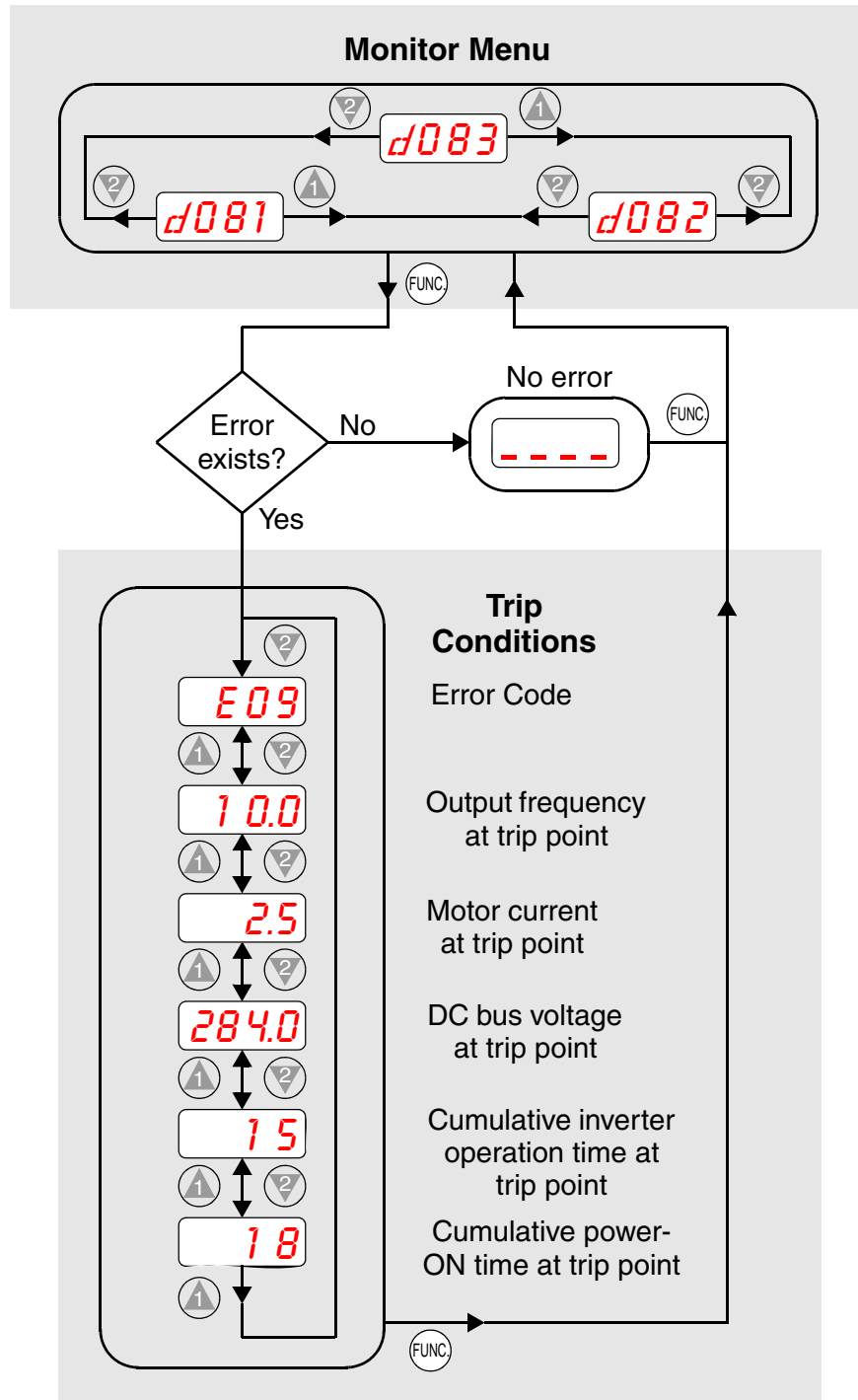


NOTE: If an EEPROM error (E08) occurs, be sure to confirm the parameter data values are still correct. If the power is turned OFF while the [RS] (Reset) intelligent input terminal is ON, an EEPROM error will occur when power is restored.

Trip History and Inverter Status

We recommend that you first find the cause of the fault before clearing it. When a fault occurs, the inverter stores important performance data at the moment of the fault. To access the data, use the monitor functions (Dxxx) and select D081 for details about the present fault (E_n). The previous two faults are stored in D082 and D083, with D(E_{n-1} and E_{n-2}). Each error shifts D081–D082 to D082–D083, and writes the new error to D081.

The following Monitor Menu map shows how to access the error codes. When fault(s) exist, you can review their details by first selecting the proper function: D081 is the most recent, and D083 is the oldest.



Restoring Factory Default Settings

You can restore all inverter parameters to the original factory (default) settings for the intended country of use. After initializing the inverter, use the powerup test in Chapter 2 to get the motor running again. To initialize the inverter, follow the steps below.

No.	Action	Display	Func./Parameter
1	Use the (FUNC), (▲), and (▼) keys to navigate to the “B” Group.	b---	“B” Group selected
2	Press the (FUNC) key.	b001	First “B” parameter selected
3	Press and hold the (▲) key until ->	b085	Country code for initialization selected
4	Press the (FUNC) key.	02	00 = Japan, 01 = Europe, 02 = USA
5	Confirm the country code is correct. Do not change it unless you are absolutely sure the power input voltage range and frequency match the country code setting. To change the country code, press (▲) or (▼) to set, (STR) to store.		
6	Press the (FUNC) key.	b085	Country code for initialization selected
7	Press the (▼) key.	b084	Initialization function selected
8	Press the (FUNC) key.	00	00 = initialization disabled, clear trip history only
9	Press the (▲) key.	01	01 = initialization enabled
10	Press the (STR) key.	b084	Initialization now enabled to restore all defaults
11	Press and hold the (FUNC) and (▼) keys. Do not release yet.	b084	First part of special key sequence
12	Press and hold the (STOP/RESET) key for 3 seconds and then release.	d000	Final part of key sequence; display is blinking
13	After the display “D000” is blinking, only then release all the keys.	EU USA	Default parameter country code shown during initialization process (left-most char displays alternating pattern)
14	Initialization is complete.	d001	Function code for output frequency monitor shown

Maintenance and Inspection

Monthly and Yearly Inspection Chart

Item Inspected		Check for...	Inspection Cycle		Inspection Method	Criteria
			Month	Year		
Overall	Ambient environment	Extreme temperatures & humidity	✓		Thermometer, hygrometer	Ambient temperature between -10 to 40°C, non-condensing
	Major devices	Abnormal noise & vib.	✓		Visual and aural	Stable environment for electronic controls
	Power supply voltage	Voltage tolerance	✓		Digital volt meter, measure between inverter terminals [L1], [L2], [L3]	200V class: 200 to 240V 50/60 Hz 400V class: 380 to 480V 50/60 Hz
Main circuit	Ground Insulation	Adequate resistance		✓	Digital volt meter, GND to terminals	5 Meg. Ohms or greater
	Mounting	No loose screws		✓	Torque wrench	M3: 0.5 – 0.6 Nm M4: 0.98 – 1.3 Nm M5: 1.5 – 2.0 Nm
	Components	Overheating		✓	Thermal trip events	No trip events
	Housing	Dirt, dust		✓	Visual	Vacuum dust and dirt
	Terminal block	Secure connections		✓	Visual	No abnormalities
	Smoothing capacitor	Leaking, swelling	✓		Visual	No abnormalities
	Relay(s)	Chattering		✓	Aural	Single click when switching ON or OFF
	Resistors	Cracks or discoloring		✓	Visual	Use Ohm meter to check braking resistors
	Cooling fan	Noise	✓		Power down, manually rotate	Rotation must be smooth
		Dust	✓		Visual	Vacuum to clean
Control circuit	Overall	No odor, discoloring, corrosion		✓	Visual	No abnormalities
	Capacitor	No leaks or deformation	✓		Visual	Undistorted appearance
Display	LEDs	Legibility	✓		Visual	All LED segments work

Note 1: The life of a capacitor is affected by the ambient temperature. See “Capacitor Life Curve” on page 6–11.

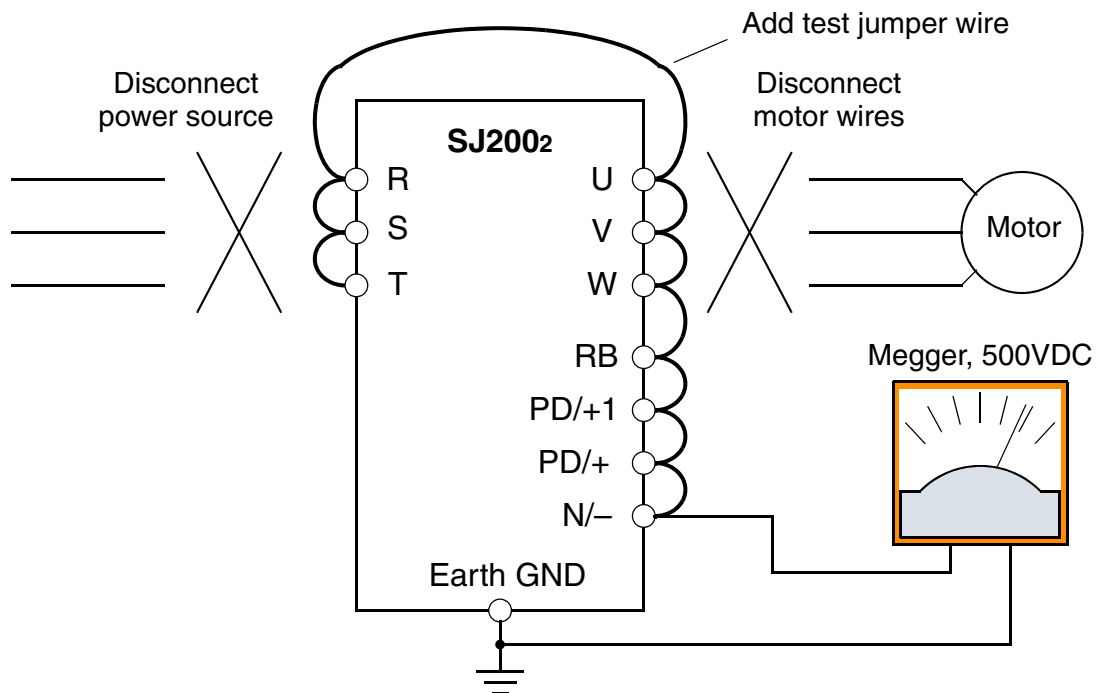
Note 2: The inverter must be cleaned periodically. If dust accumulates on the fan and heat sink, it can cause overheating of the inverter.

Megger Test

The *megger* is a piece of test equipment that uses a high voltage to determine if an insulation degradation has occurred. For inverters, it is important that the power terminals be isolated from the Earth GND terminal via the proper amount of insulation.

The circuit diagram below shows the inverter wiring for performing the megger test. Just follow the steps to perform the test:

1. Remove power from the inverter and wait at least 5 minutes before proceeding.
2. Open the front housing panel to access the power wiring.
3. Remove all wires to terminals [R, S, T, RB, PD/+1, PD/+, N/-, U, V, and W]. Most importantly, the input power and motor wires will be disconnected from the inverter.
4. Use a bare wire and short terminals [R, S, T, RB, PD/+1, PD/+, N/-, U, V, and W] together as shown in the diagram.
5. Connect the megger to the inverter Earth GND and to the shorted power terminals as shown. Then perform the megger test at 500 VDC and verify 5M Ω or greater resistance.



6. After completing the test, disconnect the megger from the inverter.
7. Reconnect the original wires to terminals [R, S, T, RB, PD/+1, PD/+, N/-, U, V, and W].



CAUTION: Do not connect the megger to any control circuit terminals such as intelligent I/O, analog terminals, etc. Doing so could cause damage to the inverter.



CAUTION: Never test the withstand voltage (HIPOT) on the inverter. The inverter has a surge protector between the main circuit terminals above and the chassis ground.

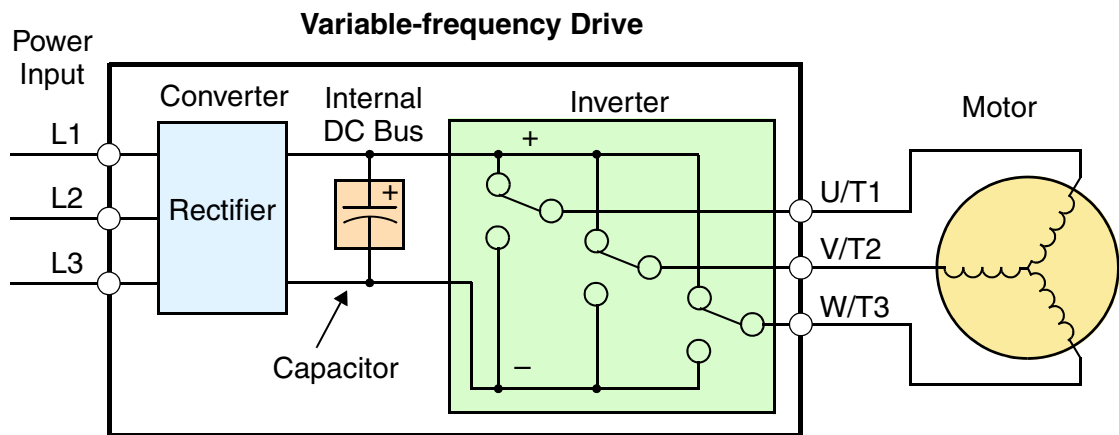
Spare parts

We recommend that you stock spare parts to reduce down time, including these parts:

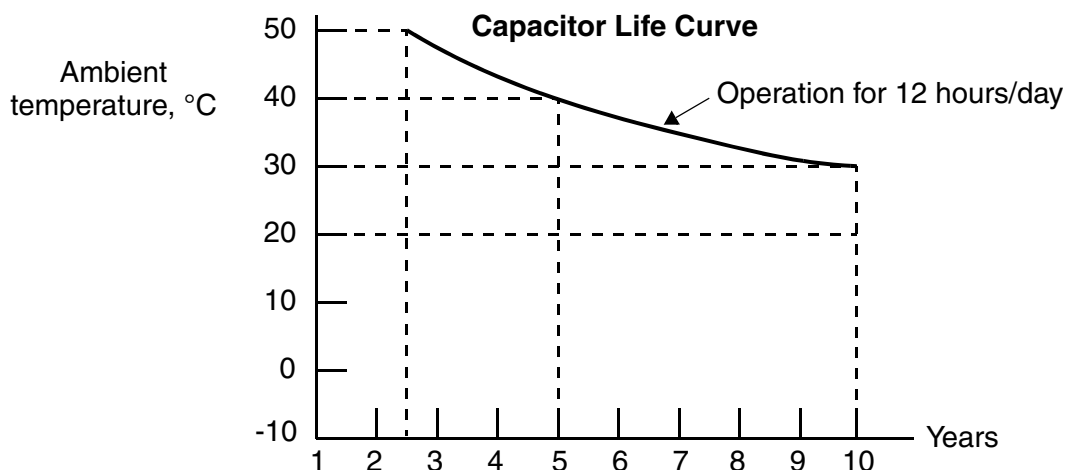
Part description	Symbol	Quantity		Notes
		Used	Spare	
Cooling fan	FAN	1	1	015NF, 022NF, 030LF, 015HF to 075HF
Case	CV	1	1	<ul style="list-style-type: none"> • Front case • Key cover • Case • Bottom cover

Capacitor Life Curve

The DC bus inside the inverter uses a large capacitor as shown in the diagram below. The capacitor handles high voltage and current as it smooths the power for use by the inverter. So, any degradation of the capacitor will affect the performance of the inverter.



Capacitor life is reduced in higher ambient temperatures, as the graph below demonstrates. Be sure to keep the ambient temperature at acceptable levels, and perform maintenance inspections on the fan, heat sink, and other components. If the inverter is installed on a cabinet, the ambient temperature is the temperature inside the cabinet.



General Inverter Electrical Measurements

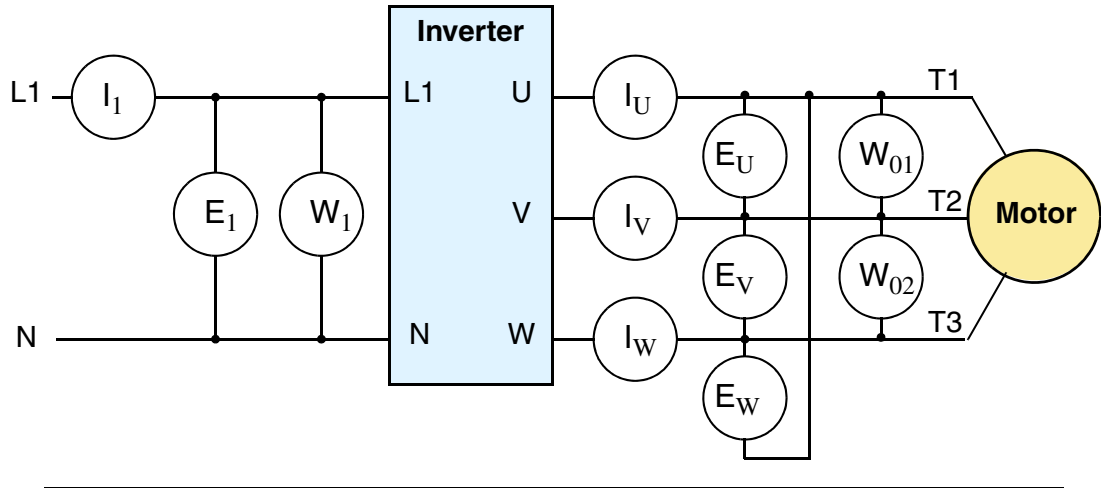
The following table specifies how to measure key system electrical parameters. The diagrams on the next page show inverter-motor systems and the location of measurement points for these parameters.

Parameter	Circuit location of measurement	Measuring instrument	Notes	Reference Value
Supply voltage E_1	E_R – across L1 and L2 E_S – across L2 and L3 E_T – across L3 and L1	Moving-coil type voltmeter or rectifier type voltmeter	Fundamental wave effective value	Commercial supply voltage (200V class) 200–240V, 50/60 Hz 400V class 380–460V, 50/60 Hz
Supply current I_1	I_R – L1, I_S – L2, I_T – L3		Total effective value	—
Supply power W_1	W_{11} – across L1 and L2 W_{12} – across L2 and L3		Total effective value	—
Supply power factor Pf_1	$Pf_1 = \frac{W_1}{\sqrt{3} \times E_1 \times I_1} \times 100\%$			—
Output voltage E_0	E_U – across U and V E_V – across V and W E_W – across W and U	Rectifier type voltmeter	Total effective value	—
Output current I_0	I_U – U I_V – V I_W – W	Moving-coil ammeter	Total effective value	—
Output power W_0	W_{01} – across U and V W_{02} – across V and W	Electronic type wattmeter	Total effective value	—
Output power factor Pf_0	Calculate the output power factor from the output voltage E, output current I, and output power W. $Pf_0 = \frac{W_0}{\sqrt{3} \times E_0 \times I_0} \times 100\%$			—

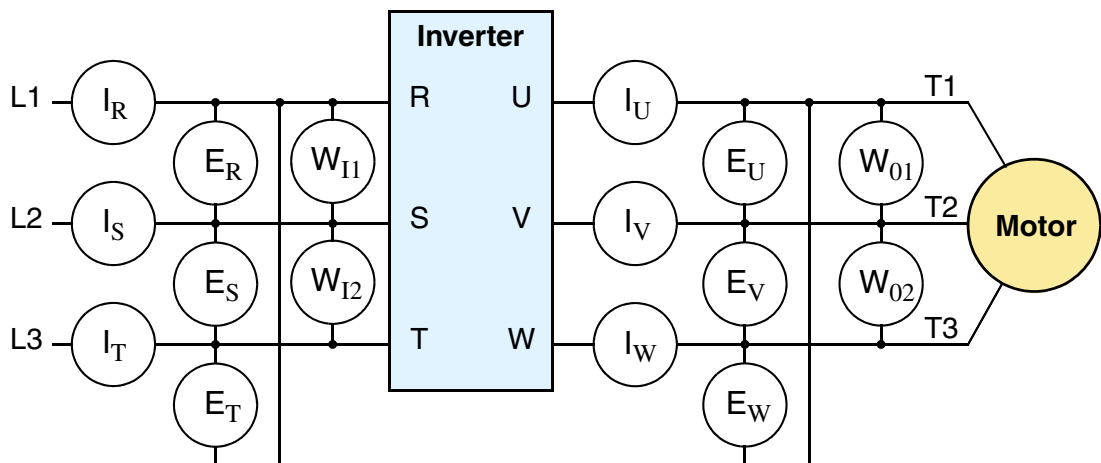
- Note 1:** Use a meter indicating a fundamental wave effective value for voltage, and meters indicating total effective values for current and power.
- Note 2:** The inverter output has a distorted waveform, and low frequencies may cause erroneous readings. However, the measuring instruments and methods listed above provide comparably accurate results.
- Note 3:** A general-purpose digital volt meter (DVM) is not usually suitable to measure a distorted waveform (not pure sinusoid).

The figures below show measurement locations for voltage, current, and power measurements listed in the table on the previous page. The voltage to be measured is the fundamental wave effective voltage. The power to be measured is the total effective power.

Single-phase Measurement Diagram



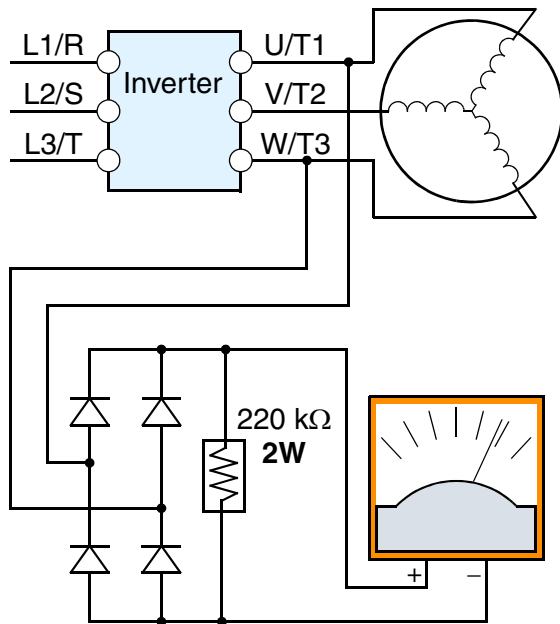
Three-phase Measurement Diagram



Inverter Output Voltage Measurement Techniques

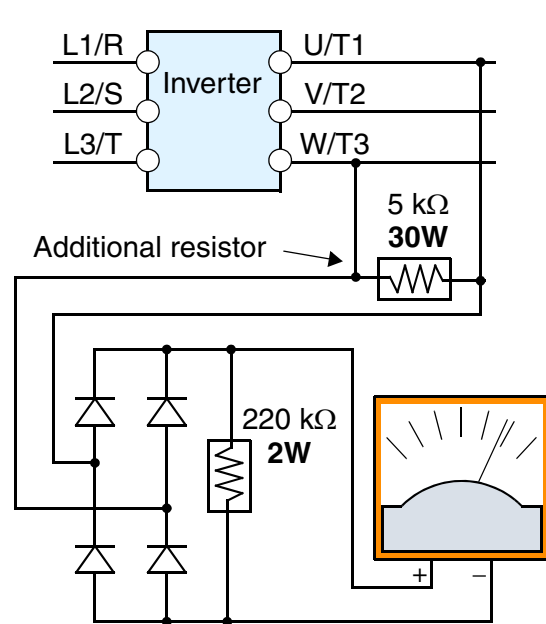
Taking voltage measurements around drives equipment requires the right equipment and a safe approach. You are working with high voltages and high-frequency switching waveforms that are not pure sinusoids. Digital voltmeters will not usually produce reliable readings for these waveforms. And, it is usually risky to connect high voltage signals to oscilloscopes. The inverter output semiconductors have some leakage, and no-load measurements produce misleading results. So, we highly recommend using the following circuits to measure voltage for performing the equipment inspections.

Voltage measurement *with load*



V Class	Diode Bridge	Voltmeter
200V Class	600V 0.01A min.	300V range
400V Class	100V 0.1A min.	600V range

Voltage measurement *without load*



V Class	Diode Bridge	Voltmeter
200V Class	600V 0.01A min.	300V range
400V Class	100V 0.1A min.	600V range



HIGH VOLTAGE: Be careful not to touch wiring or connector terminals when working with the inverters and taking measurements. Be sure to place the measurement circuitry components above in an insulated housing before using them.

IGBT Test Method

The following procedure will check the inverter transistors (IGBTs) and diodes:

1. Disconnect input power to terminals [R, S, and T] and motor terminals [U, V, and W].
2. Disconnect any wires from terminals [+] and [RB] for regenerative braking.
3. Use a Digital Volt Meter (DVM) and set it for 1Ω resistance range. You can check the status of the charging state of terminals [R, S, T, U, V, W, RB, +, and -] of the inverter and the probe of the DVM by measuring the charging state.

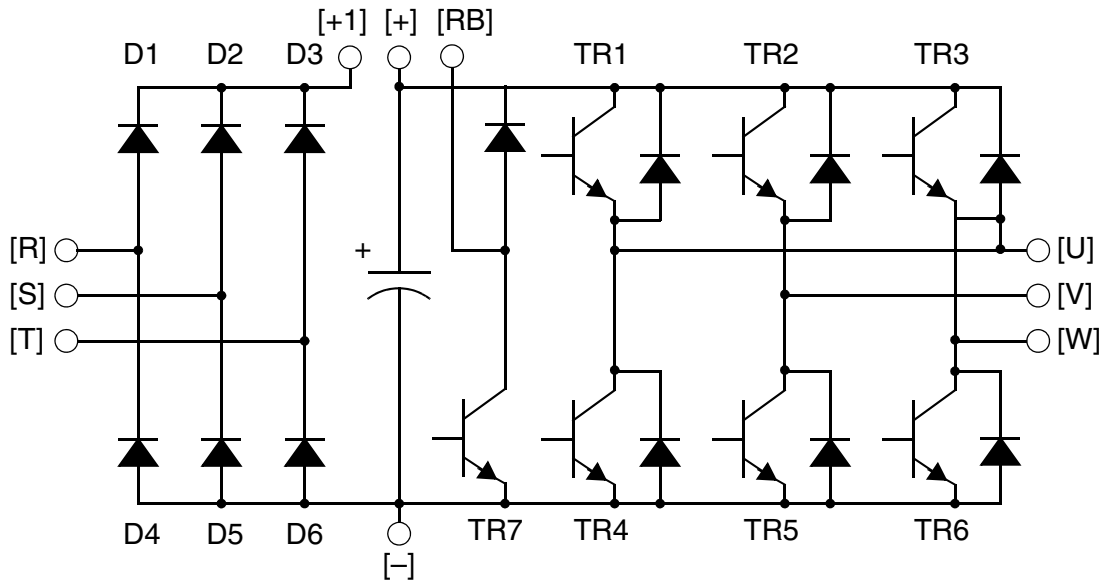


Table Legend – Almost infinite resistance: $\cong \infty \Omega$ Almost zero resistance: $\cong 0 \Omega$

Part	DVM		Measured Value	Part	DVM		Measured Value	Part	DVM		Measured Value
	+	-			+	-			+	-	
D1	[R]	+1	$\cong \infty \Omega$	D5	[S]	[N]	$\cong 0 \Omega$	TR4	[U]	[-]	$\cong 0 \Omega$
	+1	[R]	$\cong 0 \Omega$		[N]	[S]	$\cong \infty \Omega$		[-]	[U]	$\cong \infty \Omega$
D2	[S]	+1	$\cong \infty \Omega$	D6	[T]	[N]	$\cong 0 \Omega$	TR5	[V]	[-]	$\cong 0 \Omega$
	+1	[S]	$\cong 0 \Omega$		[N]	[T]	$\cong \infty \Omega$		[-]	[V]	$\cong \infty \Omega$
D3	[T]	+1	$\cong \infty \Omega$	TR1	[U]	[+]	$\cong \infty \Omega$	TR6	[W]	[-]	$\cong 0 \Omega$
	+1	[T]	$\cong 0 \Omega$		[+]	[U]	$\cong 0 \Omega$		[-]	[W]	$\cong \infty \Omega$
D4	[R]	[N]	$\cong 0 \Omega$	TR2	[V]	[+]	$\cong \infty \Omega$	TR7	[RB]	[+]	$\cong 0 \Omega$
	[N]	[R]	$\cong \infty \Omega$		[+]	[V]	$\cong 0 \Omega$		[+]	[RB]	$\cong \infty \Omega$
				TR3	[W]	[+]	$\cong \infty \Omega$	[RB]	[-]	$\cong 0 \Omega$	
					[+]	[W]	$\cong 0 \Omega$	[-]	[RB]	$\cong 0 \Omega$	



NOTE: The resistance values for the diodes or the transistors will not be exactly the same, but they will be close. If you find a significant difference, a problem may exist.



NOTE: Before measuring the voltage between [+] and [-] with the DC current range, confirm that the smoothing capacitor is discharged fully, then execute the tests.

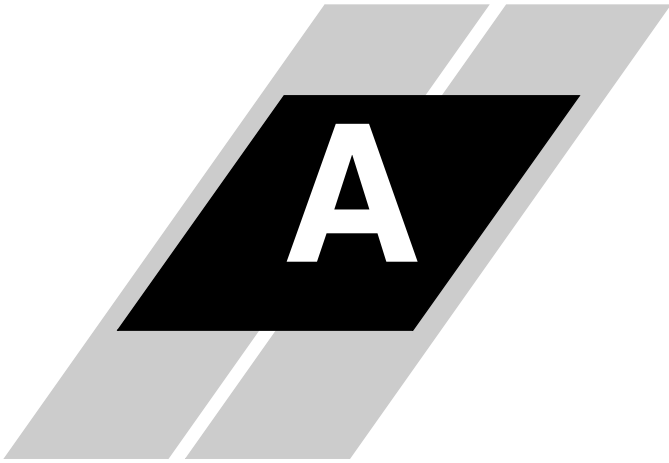
Warranty

Warranty Terms

The warranty period under normal installation and handling conditions shall be two (2) years from the date of manufacture (“DATE” on product nameplate), or one (1) year from the date of installation, whichever occurs first. The warranty shall cover the repair or replacement, at Hitachi's sole discretion, of ONLY the inverter that was installed.

1. Service in the following cases, even within the warranty period, shall be charged to the purchaser:
 - a. Malfunction or damage caused by mis-operation or modification or improper repair
 - b. Malfunction or damage caused by a drop after purchase and transportation
 - c. Malfunction or damage caused by fire, earthquake, flood, lightning, abnormal input voltage, contamination, or other natural disasters
2. When service is required for the product at your work site, all expenses associated with field repair shall be charged to the purchaser.
3. Always keep this manual handy; please do not lose it. Please contact your Hitachi distributor to purchase replacement or additional manuals.

Glossary and Bibliography



In This Appendix....	page
— Glossary	2
— Bibliography	8

Glossary

- Ambient Temperature** The air temperature in the chamber containing a powered electronic unit. A unit's heat sinks rely on a lower ambient temperature in order to dissipate heat away from sensitive electronics.
- Arrival Frequency** The arrival frequency refers to the set output frequency of the inverter for the constant speed setting. The arrival frequency feature turns on an output when the inverter reaches the set constant speed. The inverter has various arrival frequencies and pulsed or latched logic options.
- Auto-tuning** The ability of a controller to execute a procedure that interacts with a load to determine the proper coefficients to use in the control algorithm. Auto-tuning is a common feature of process controllers with PID loops. Hitachi inverters feature auto tuning to determine motor parameters for optimal commutation. Auto-tuning is available as a special command from a digital operator panel. See also *Digital Operator Panel*.
- Base Frequency** The power input frequency for which an AC induction motor is designed to operate. Most motors will specify a 50 to 60 Hz value. The Hitachi inverters have a programmable base frequency, so you must ensure that parameter matches the attached motor. The term *base frequency* helps differentiate it from the carrier frequency. See also *Carrier Frequency* and *Frequency Setting*.
- Braking Resistor** An energy-absorbing resistor that dissipates energy from a decelerating load. Load inertia causes the motor to act as a generator during deceleration. See also *Four-quadrant Operation* and *Dynamic Braking*.
- Break-away Torque** The torque a motor must produce to overcome the static friction of a load, in order to start the load moving.
- Carrier Frequency** The frequency of the constant, periodic, switching waveform that the inverter modulates to generate the AC output to the motor. See also *PWM*.
- CE** A regulatory agency for governing the performance of electronic products in Europe. Drive installations designed to have CE approval must have particular filter(s) installed in the application.
- Choke** An inductor that is tuned to react at radio frequencies is called a "choke," since it attenuates (chokes) frequencies above a particular threshold. Tuning is often accomplished by using a movable magnetic core. In variable-frequency drive systems, a choke positioned around high-current wiring can help attenuate harmful harmonics and protect equipment. See also *Harmonics*.

DC Braking	The inverter DC braking feature stops the AC commutation to the motor, and sends a DC current through the motor windings in order to stop the motor. Also called “DC injection braking,” it has little effect at high speed, and is used as the motor is nearing a stop.
Deadband	In a control system, the range of input change for which there is no perceptible change in the output. In PID loops, the error term may have a dead band associated with it. Deadband may or may not be desirable; it depends on the needs of the application.
Digital Operator Panel	For Hitachi inverters, “digital operator panel” (DOP) refers first to the operator keypad on the front panel of the inverter. It also includes hand-held remote keypads, which connect to the inverter via a cable. Finally, the DOP Professional is a PC-based software simulation of the keypad devices.
Diode	A semiconductor device that has a voltage-current characteristic that allows current to flow only in one direction, with negligible leakage current in the reverse direction. See also <i>Rectifier</i> .
Duty Cycle	1. The percent of time a square wave of fixed frequency is ON (high) versus OFF (low). 2. The ratio of operating time of a motor, braking resistor, etc. to its resting time. This parameter usually is specified in association with the allowable thermal rise for the device.
Dynamic Braking	The inverter dynamic braking feature shunts the motor-generated EMF energy into a special braking resistor. The added dissipation (braking torque) is effective at higher speeds, having a reduced effect as the motor nears a stop.
Error	In process control, the error is the difference between the desired value or setpoint (SP) and the actual value of a the process variable (PV). See also <i>Process Variable</i> and <i>PID Loop</i> .
EMI	Electromagnetic Interference - In motor/drive systems, the switching of high currents and voltages creates the possibility of generating radiated electrical noise that may interfere with the operation of nearby sensitive electrical instruments or devices. Certain aspects of an installation, such as long motor lead wire lengths, tend to increase the chance of EMI. Hitachi provides accessory filter components you can install to decrease the level of EMI.
Four-quadrant operation	Referring to a graph of torque versus direction, a four-quadrant drive can turn the motor either forward or reverse, as well as decelerate in either direction (see also <i>reverse torque</i>). A load that has a relatively high inertia and must move in both directions and change directions rapidly requires four-quadrant capability from its drive.
Free-run Stop	A method of stopping a motor, caused when the inverter simply turns OFF its motor output connections. This may allow the motor and load to coast to a stop, or a mechanical brake may intervene and shorten the deceleration time.

Frequency Setting	While frequency has a broad meaning in electronics, it typically refers to motor speed for variable-frequency drives (inverters). This is because the output frequency of the inverter is variable, and is proportional to the attained motor speed. For example, a motor with a base frequency of 60 Hz can be speed controlled with an inverter output varying from 0 to 60 Hz. See also <i>Base Frequency</i> , <i>Carrier Frequency</i> , and <i>Slip</i> .
Harmonics	A <i>harmonic</i> is a whole number multiple of a base of fundamental frequency. The square waves used in inverters produce high-frequency harmonics, even though the main goal is to produce lower-frequency sine waves. These harmonics can be harmful to electronics (including motor windings) and cause radiated energy that interferes with nearby electronic devices. Chokes, line reactors, and filters are sometimes used to suppress the transmission of harmonics in an electrical system. See also <i>Choke</i> .
Horsepower	A unit of physical measure to quantify the amount of work done per unit of time. You can directly convert between horsepower and Watts as measurements of power.
IGBT	Insulated Gate Bipolar Transistor (IGBT) – A semiconductor transistor capable of conducting very large currents when in saturation and capable of withstanding very high voltages when it is OFF. This high-power bipolar transistor is the type used in Hitachi inverters.
Inertia	The natural resistance a stationary object to being moved by an external force. See also <i>Momentum</i> .
Intelligent Terminal	A configurable input or output logic function on the Hitachi inverters. Each terminal may be assigned one of several functions.
Intelligent Sensorless Vector Control (iSLV)	Intelligent Sensorless Vector Control (iSLV) is Hitachi's newest variable speed control technology. The original sensorless vector control (SLV) did not require motor shaft position sensors (thus "sensorless"), but still required setting several motor parameters (either manually or through an auto-tuning procedure). Now, iSLV uses proprietary Hitachi algorithms and high-speed processing to provide smooth control that adapts to motor characteristics in real time. Even the need to do auto-tuning procedures has been eliminated.
Inverter	A device that electronically changes DC to AC current through an alternating process of switching the input to the output, inverted and non-inverted. A variable speed drive such as the Hitachi SJ2002 is also called an inverter, since it contains three inverter circuits to generate 3-phase output to the motor.

- Isolation Transformer** A transformer with 1:1 voltage ratio that provides electrical isolation between its primary and secondary windings. These are typically used on the power input side of the device to be protected. An isolation transformer can protect equipment from a ground fault or other malfunction of nearby equipment, as well as attenuate harmful harmonics and transients on the input power.
- Jogging Operation** Usually done manually, a jog command from an operator's panel requests the motor/drive system to run indefinitely in a particular direction, until the machine operator ends the jog operation.
- Jump Frequency** A *jump frequency* is a point on the inverter output frequency range that you want the inverter to skip around. This feature may be used to avoid a resonant frequency, and you can program up to three jump frequencies in the inverter.
- Line Reactor** A three-phase inductor generally installed in the AC input circuit of an inverter to minimize harmonics and to limit short-circuit current.
- Momentum** The physical property of a body in motion that causes it to remain in motion. In the case of motors, the rotor and attached load are rotating and possesses angular momentum.
- Multi-speed Operation** The ability of a motor drive to store preset discrete speed levels for the motor, and control motor speed according to the currently selected speed preset. The Hitachi inverters have 16 preset speeds.
- Motor Load** In motor terminology, motor load consists of the inertia of the physical mass that is moved by the motor and the related friction from guiding mechanisms. See also *Inertia*.
- NEC** The National Electric Code is a regulatory document that governs electrical power and device wiring and installation in the United States.
- NEMA** The National Electric Manufacturer's Association. NEMA Codes are a published series of device ratings standards. Industry uses these to evaluate or compare the performance of devices made by various manufacturers to a known standard.
- Open-collector Outputs** A common logic-type discrete output that uses an NPN transistor that acts as a switch to a power supply common, usually ground. The transistor's *collector* is *open* for external connection (not connected internally). Thus, the output *sinks* external load current to ground.
- Power Factor** A ratio that expresses a phase difference (timing offset) between current and voltage supplied by a power source to a load. A perfect power factor = 1.0 (no phase offset). Power factors less than one cause some energy loss in power transmission wiring (source to load).

PID Loop	Proportional - Integral-Derivative - A mathematical model used for process control. A process controller maintains a process variable (PV) at a setpoint (SP) by using its PID algorithm to compensate for dynamic conditions and vary its output to drive the PV toward the desired value. For variable-frequency drives, the process variable is the motor speed. See also <i>Error</i> .
Process Variable	A physical property of a process that is of interest because it affects the quality of the primary task accomplished by the process. For an industrial oven, temperature is the process variable. See also <i>PID Loop</i> and <i>Error</i> .
PWM	Pulse-width modulation: A type of AC adjustable frequency drive that accomplishes frequency and voltage control at the output section (inverter) of the drive. The drive output voltage waveform is at a constant amplitude, and by “chopping” the waveform (pulse-width-modulating), the average voltage is controlled. The chopping frequency is sometimes called the <i>Carrier Frequency</i> .
Reactance	The impedance of inductors and capacitors has two components. The resistive part is constant, while the reactive part changes with applied frequency. These devices have a complex impedance (complex number), where the resistance is the real part and the reactance is the imaginary part.
Rectifier	An electronic device made of one or more diodes that converts AC power into DC power. Rectifiers are usually used in combination with capacitors to filter (smooth) the rectified waveform to closely approximate a pure DC voltage source.
Regenerative Braking	A particular method of generating reverse torque to a motor, an inverter will switch internally to allow the motor to become a generator and will either store the energy internally, deliver the braking energy back to the main power input, or dissipate it with a resistor.
Regulation	The quality of control applied to maintain a parameter of interest at a desired value. Usually expressed as a percent (\pm) from the nominal, motor regulation usually refers to its shaft speed.
Reverse Torque	The torque applied in the direction opposite to motor shaft rotation. As such, reverse torque is a decelerating force on the motor and its external load.
Rotor	The windings of a motor that rotate, being physically coupled to the motor shaft. See also <i>Stator</i> .
Saturation Voltage	For a transistor semiconductor device, it is in saturation when an increase in input current no longer results in an increase in the output current. The saturation voltage is the voltage drop across the device. The ideal saturation voltage is zero.

Sensorless Vector Control	A technique used in variable-frequency drives to rotate the force vector in the motor without the use of a shaft position sensor (angular). Benefits include an increase in torque at the lowest speed and the cost savings from the lack of a shaft position sensor. See also <i>Intelligent Sensorless Vector Control</i> .
Setpoint (SP)	The <i>setpoint</i> is the desired value of a process variable of interest. See also <i>Process Variable (PV)</i> and <i>PID Loop</i> .
Single-phase power	An AC power source consisting of Hot and Neutral wires. An Earth Ground connection usually accompanies them. In theory, the voltage potential on Neutral stays at or near Earth Ground, while Hot varies sinusoidally above and below Neutral. This power source is named Single Phase to differentiate it from three-phase power sources. Some Hitachi inverters can accept single phase input power, but they all output three-phase power to the motor. See also <i>Three-phase</i> .
Slip	The difference between the theoretical speed of a motor at no load (determined by its inverter output waveforms) and the actual speed. Some slip is essential in order to develop torque to the load, but too much will cause excessive heat in the motor windings and/or cause the motor to stall.
Squirrel Cage	A “nick-name” for the appearance of the rotor frame assembly for an AC induction motor.
Stator	The windings in a motor that are stationary and coupled to the power input of the motor. See also <i>Rotor</i> .
Tachometer	1. A signal generator usually attached to the motor shaft for the purpose of providing feedback to the speed controlling device of the motor. 2. A speed-monitoring test meter that may optically sense shaft rotation speed and display it on a readout.
Thermal Switch	An electromechanical safety device that opens to stop current flow when the temperature at the device reaches a specific temperature threshold. Thermal switches are sometimes installed in the motor in order to protect the windings from heat damage. The inverter can use thermal switch signals to trip (shut down) if the motor overheats. See also <i>Trip</i> .
Thermistor	A type of temperature sensor that changes its resistance according to its temperature. The sensing range of thermistors and their ruggedness make them ideal for motor overheating detection. Hitachi inverters have built-in thermistor input circuits, which can detect an overheated motor and shut off (trip) the inverter output.

Three-phase power

An AC power source with three Hot connections that have phase offsets of 120 degrees is a 3-phase power source. Usually, Neutral and Earth Ground wires accompany the three Hot connections. Loads may be configured in a delta or Y configuration. A Y-connected load such as an AC induction motor will be a balanced load; the currents in all the Hot connections are the same. Therefore, the Neutral connection is theoretically zero. This is why inverters that generate 3-phase power for motors do not generally have a Neutral connection to the motor. However, the Earth Ground connection is important for safety reasons, and is provided.

Torque

The rotational force exerted by a motor shaft. The units of measurement consist of the distance (radius from shaft center axis) and force (weight) applied at that distance. Units are usually given as pound-feet, ounce-inches, or Newton-meters.

Transistor

A solid state, three-terminal device that provides amplification of signals and can be used for switching and control. While transistors have a linear operating range, inverters use them as high-powered switches. Recent developments in power semiconductors have produced transistors capable of handling high voltages and currents, all with high reliability. The saturation voltage has been decreasing, resulting in less heat dissipation. Hitachi inverters use state-of-the-art semiconductors to provide high performance and reliability in a compact package. See also *IGBT* and *Saturation Voltage*.

Trip Event

An event that causes the inverter to stop operation is called a “trip” event (as in *tripping* a circuit breaker). The inverter keeps a history log of trip events. They also require an action to clear.

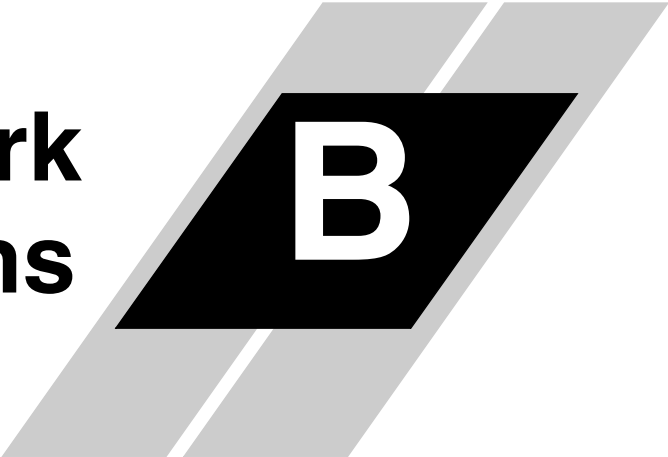
Watt Loss

A measure of the internal power loss of a component, the difference between the power it consumes and what its output delivers. An inverter’s watt loss is the input power minus the power delivered to the motor. The watt loss is typically highest when an inverter is delivering its maximum output. Therefore, watt loss is usually specified for a particular output level. Inverter watt loss specifications are important when designing enclosures.

Bibliography

Title	Author and Publisher
Variable Speed Drive Fundamentals, 2nd Ed.	Phipps, Clarence A. The Fairmont Press, Inc. / Prentice-Hall, Inc. 1997 ISBN 0-13-636390-3
Electronic Variable Speed Drives	Brumbach, Michael E. Delmar Publishers 1997 ISBN 0-8273-6937-9
Hitachi Inverter Technical Guide Book	Published by Hitachi, Ltd. Japan 1995 Publication SIG-E002

ModBus Network Communications



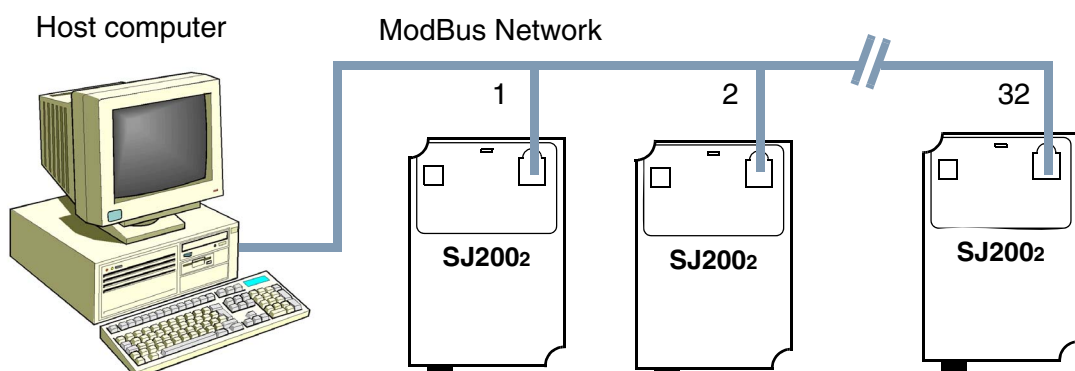
In This Appendix....	page
— Introduction	2
— Connecting the Inverter to ModBus.....	3
— Network Protocol Reference	6
— ModBus Data Listing	19

Introduction

SJ2002 Series inverters have built-in RS-485 serial communications, featuring the ModBus RTU protocol. The inverters can connect directly to existing factory networks or work with new networked applications, without any extra interface equipment. The specifications for SJ2002 serial communications are in the following table.

Item	Specifications	User-selectable
Transmission speed	4800 / 9600 / 19200 bps	✓
Communication mode	Asynchronous	✗
Character code	Binary	✗
LSB placement	Transmits LSB first	✗
Electrical interface	RS-485 differential transceiver	✗
Data bits	8-bit (ModBus RTU mode)	(ASCII mode not available)
Parity	None / even / odd	✓
Stop bits	1 or 2 bits	✓
Startup convention	One-way start from host device	✗
Wait time for response	0 to 1000 msec.	✓
Connections	Station address numbers from 1 to 32	✓
Connector	RJ45 modular jack	—
Error check	Overrun, Fleming block check code, CRC-16, or horizontal parity	—

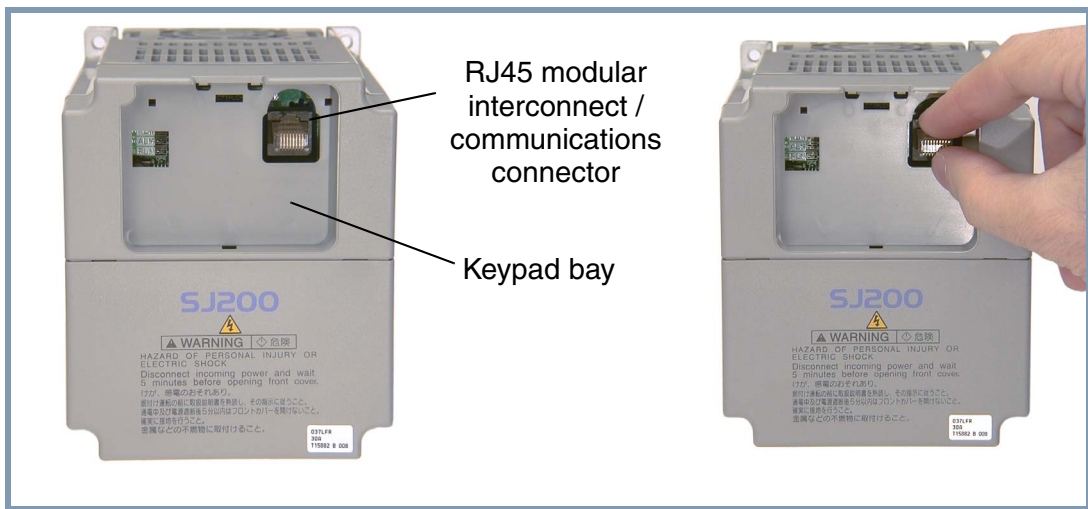
The network diagram below shows a series of inverters communicating with a host computer. Each inverter must have a unique address, from 1 to 32, on the network. In a typical application, a host computer or controller is the master and each of the inverter(s) or other devices is a slave.



Connecting the Inverter to ModBus

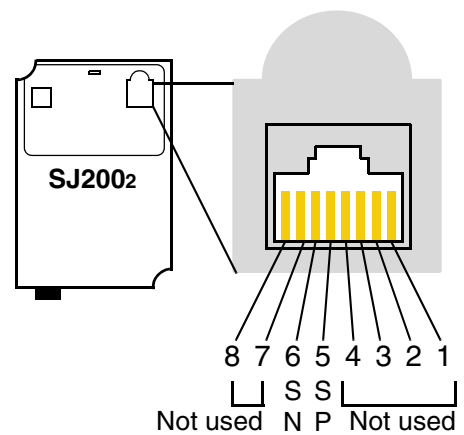
Follow the steps in this section to connect the inverter to the ModBus network.

- 1. Keypad Removal** - The inverter keypad uses the serial communications interface connector on the front of the inverter. To access the RJ45 modular connector, you will need to remove the keypad. Refer to “Inverter Keypad Removal and Installation” on page 2–3 for detailed instructions.
- 2. Modular Interconnect Removal** - With the keypad removed, locate the RJ45 modular interconnect, the clear plastic connector in the opening as shown below. Press downward on the locking tab at the top of the connector, releasing it for removal. Be sure to keep it in a secure place; you may need it in the future for placing the keypad on the inverter again. The RJ45 modular jack that remains will now accept the serial communication cable.

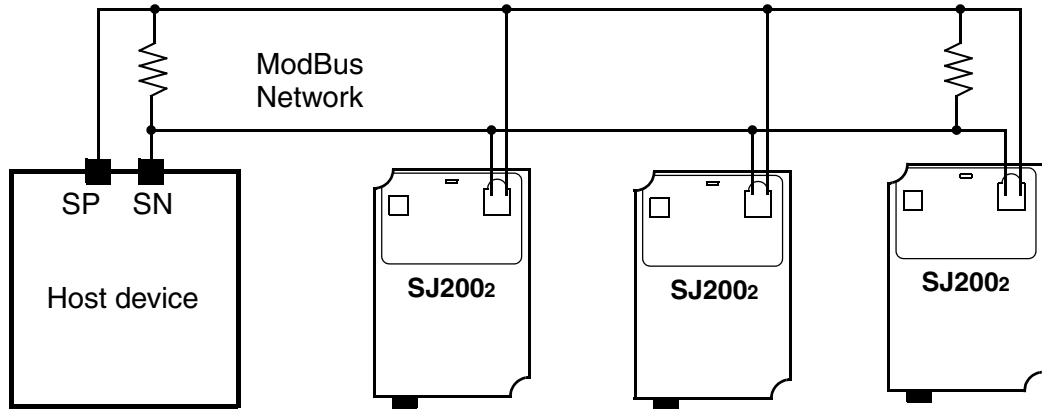


- 3. Cable Wiring** - The inverter communications port uses RS485 differential transceiver. The pinout is shown to the right and listed below. Be sure the cable connection you make matches the diagram.

Pin	Symbol	Description
1	—	Not used. Do not connect
2	—	Not used. Do not connect
3	—	Not used. Do not connect
4	—	Not used. Do not connect
5	SP	Send/Receive data Positive
6	SN	Send/Receive data Negative
7	—	Not used. Do not connect
8	—	Not used. Do not connect

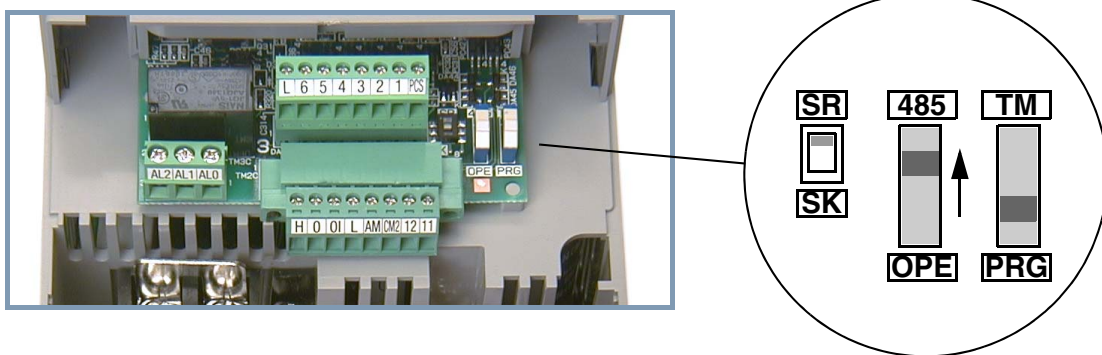


- 4. Terminate Network Wiring** - The RS-485 wiring must be terminated at each physical end to suppress electrical reflections and help decrease transmission errors. The SJ2002 communications port does not include a termination resistor. Therefore, you will need to add termination to the inverter if it is at the end of the network wiring. Select termination resistors that match the characteristic impedance of the network cable. The diagram below shows a network with the needed termination resistor at each end.



- 5. Set Inverter OPE/485 Switch** - The inverter serial port accepts a connection to either the inverter keypad or the network. After removing the keypad, you will need to set a DIP switch on the inverter to configure the port for ModBus communications. Setting the switch will require removing the front housing cover. Remember to power OFF the inverter before removing the cover or changing the DIP switch setting. Refer to “Front Housing Cover” on page 2-4 for detailed instructions.

Locate the OPE/485 DIP switch as shown in the figure below. Carefully move the switch to the upper position labeled “485” (slide in direction of arrow). Then replace the front housing cover.



At this point the electrical network connection is complete. The next step will show how to configure parameters and settings related to ModBus communications.

6. Inverter Parameter Setup - The inverter has several settings related to ModBus communications. The table below lists them together. The *Required* column indicates which parameters *must* be set properly to allow communications. You may need to refer to the host computer documentation in order to match some of its settings.

Func. Code	Name	Required	Settings
A001	Frequency source setting	✓	00 .. Keypad potentiometer 01 .. Control terminal 02 .. Function F001 setting 03 .. ModBus network input *1 10 .. Calculate function output
A002	Run command source setting	✓	01 .. Control terminal 02 .. Run key on keypad, or digital operator 03 .. ModBus network input *1
C071	Communication speed selection	✓	04 .. 4800 bps 05 .. 9600 bps 06 .. 19200 bps
C072	Node allocation	✓	Network address, range is 1 to 32
C074	Communication parity selection	✓	00 .. No parity 01 .. Even parity 02 .. Odd parity
C075	Communication stop bit selection	✓	Range is 1 to 2
C076	Communication error select	—	00 .. Trip (error code E60) 01 .. Decelerate to a stop and trip (error code E60) 02 .. Disable 03 .. Free run stop (coasting) 04 .. Decelerate to a stop
C077	Communication error time-out	—	Comm. watchdog timer period, range is 0.00 to 99.99 sec.
C078	Communication wait time	✓	Time the inverter waits after receiving a message before it transmits. Range is 0. to 1000. ms

Note 1: The *ModBus network input setting* (03) is required only if function A001 or function A002 will be controlled via the network.

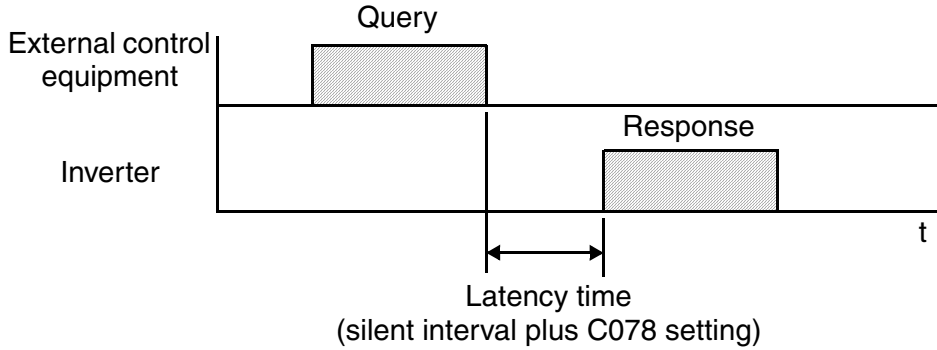


NOTE: When you edit and store any of the parameters above, the inverter causes it to take effect immediately. ModBus transmission occurs only after you set the OPE/485 DIP switch to the “485” position and turn on the inverter. Note that parameters C071 to C078 cannot be changed via the network. To edit them, reconnect the inverter keypad (or other digital operator) and edit the parameters.

Network Protocol Reference

Transmission procedure

The transmission between the external control equipment and the inverter takes the procedure below



- Query - A frame sent from the external control equipment to the inverter
- Response - A frame returned from inverter to the external control equipment

The inverter returns the response only after the inverter receives a query from the external control equipment and does not output the response positively. Each frame is formatted (with commands) as follows:

Frame Format
Header (silent interval)
Slave address
Function code
Data
Error check
trailer (silent interval)

Message Configuration: Query

Slave address:

- This is a number of 1 to 32 assigned to each inverter (slave). (Only the inverter having the address given as a slave address in the query can receive the query.)
- When slave address “0” is specified, the query can be addressed to all inverters simultaneously. (Broadcasting)
- In broadcasting, you cannot call and loop back data.

Data:

- A function command is set here.
- The data format used in the SJ2002 series is corresponding to the Modbus data format below.

Name of Data	Description
Coil	Binary data that can be referenced and changed (1 bit long)
Holding Register	16-bit data that can be referenced and changed

Function code:

Specify a function you want to make the inverter execute. Function codes available to the SJ2002 series are listed below.

Function Code	Function	Maximum data size (bytes available per message)	Maximum number of data elements available per message
0 1 h	Read Coil Status	4	32 coils (in bits)
0 3 h	Read Holding Register	4	4 registers (in bytes)
0 5 h	Write in Coil	1	1 coil (in bits)
0 6 h	Write in Holding Register	1	1 registers (in bytes)
0 8 h	Loopback Test	—	—
0 F h	Write in Coils	4	32 coils (in bits)
1 0 h	Write in Registers	4	4 registers (in bytes)

Error check:

Modbus-RTU uses CRC (Cyclic Redundancy Check) for error checking.

- The CRC code is 16-bit data that is generated for 8-bit blocks of arbitrary length.
- The CRC code is generated by a generator polynomial CRC-16 ($X^{16} + X^{15} + X^2 + 1$).

Header and trailer (silent interval):

Latency is the time between the reception of a query from the master and transmission of a response from the inverter.

- 3.5 characters (24 bits) are always required for latency time. If the latency time shorter than 3.5 characters, the inverter returns no response.
- The actual transmission latency time is the sum of silent interval (3.5 characters long) + C078 (transmission latency time).

Message Configuration: Response

Transmission time required:

- A time period between reception of a query from the master and transmission of a response from the inverter is the sum of the silent interval (3.5 characters long) + C078 (transmission latency time).
- The master must provide a time period of the silent interval (3.5 characters long or longer) before sending another query to an inverter after receiving a response from the inverter.

Normal response:

- When receiving a query that contains a function code of Loopback (08h), the inverter returns a response of the same content of the query.
- When receiving a query that contains a function code of Write in Register or Coil (05h, 06h, 0Fh, or 10h), the inverter directly returns the query as a response.
- When receiving a query that contains a function code of Read Register or Coil (01h or 03h), the inverter returns, as a response, the read data together with the same slave address and function code as those of the query.

Response when an error occurs:

- When finding any error in a query (except for a transmission error), the inverter returns an exception response without executing anything.
- You can check the error by the function code in the response. The function code of the exception response is the sum of the function code of the query and 80h.
- The content of the error is known from the exception code.

Field Configuration
Slave address
Function code
Exception code
CRC-16

Exception Code	Description
0 1 h	The specified function is not supported
0 2 h	The specified address is not found.
0 3 h	The format of the specified data is not acceptable.
2 1 h	The data to be written in a holding register is outside the inverter.
2 2 h	The specified functions are not available to the inverter. <ul style="list-style-type: none"> • Function to change the content of a register that cannot be changed while the inverter is in service • Function to submit an ENTER command during running (UV) • Function to write in a register during tripping (UV) • Function to write in a read-only register (or coil)

No response occurs:

In the cases below, the inverter ignores a query and returns no response.

- When receiving a broadcasting query
- When detecting a transmission error in reception of a query
- When the slave address set in the query is not equal to the slave address of the inverter
- When a time interval between data elements constituting a message is shorter than 3.5 characters
- When the data length of the query is invalid



NOTE: Provide a timer in the master and make the master retransmit the same query when no response is made within a preset time period after the preceding query was sent.

Explanation of function codes

Read Coil Status [01h]:

This function reads the status (ON/OFF) of selected coils. An example follows below.

- Read intelligent input terminals [1] to [6] of an inverter having a slave address “8.”
- This example assumes the intelligent input terminals have terminal states listed below.

Item	Data					
Intelligent input terminal	[1]	[2]	[3]	[4]	[5]	[6]
Coil Status	ON	ON	ON	OFF	ON	OFF

Query:

No.	Field Name	Example (Hex)
1	Slave address *1	08
2	Function code	01
3	Coil start number (high order)	00
4	Coil start number (low order)	07
5	Number of coils (high order) *2	00
6	Number of coils (low order) *2	06
7	CRC-16 (high order)	0D
8	CRC-16 (low order)	50

Response:

No.	Field Name	Example (Hex)
1	Slave address	08
2	Function code	01
3	Data size (in bytes)	01
4	Coil data *3	17
5	CRC-16 (high order)	12
6	CRC-16 (low order)	1A

Note 3: Data is transferred by the specified number of data bytes (data size).

Note 1: Broadcasting is disabled.

Note 2: When 0 or more than 32 is specified as a number of coils, error code “03h” is returned.

- The data set in the response shows terminal states of coils 7 to 14.
- Data “17h = 00010111b” indicates the following assuming coil 7 is the LSB.

Item	Data								
Coil Number	14	13	12	11	10	9	8	7	
Coil Status	OFF	OFF	OFF	ON	OFF	ON	ON	ON	

- When a read coil is outside the defined coils, the final coil data to be transmitted contains “0” as the status of the coil outside the range.
- When the Read Coil Status command cannot be executed normally, see the exception response.

Read Holding Register [03h]:

This function reads the contents of the specified number of consecutive holding registers (of specified register addresses). An example follows below.

- Reading previous three trip factors from an inverter having a slave address “5”
- This example assumes the previous three trip factors are as follows:

SJ2002 Command	D081 (N)	D082 (N-1)	D083 (N-2)
Coil Number	0019h	001Ah	0018h
Trip factor	Over-voltage (E07)	Under-voltage (E09)	No trip

Query:

No.	Field Name	Example (Hex)
1	Slave address *1	05
2	Function code	03
3	Register start number (high order)	00
4	Register start number (low order)	19
5	Number of holding registers (high order)	00
6	Number of holding registers (low order)	03
7	CRC-16 (high order)	D5
8	CRC-16 (low order)	88

Note 1: Broadcasting is disabled.

Response:

No.	Field Name	Example (Hex)
1	Slave address	05
2	Function code	03
3	Data size (in bytes) *2	06
4	Register start number (high order)	00
5	Register start number (low order)	07
6	Register start number + 1 (high order)	00
7	Register start number + 1 (low order)	09
8	Register start number + 2 (high order)	00
9	Register start number + 2 (low order)	FF
10	CRC-16 (high order)	36
11	CRC-16 (low order)	37

Note 2: Data is transferred by the specified number of data bytes (data size). In this case, 6 bytes are used to return the content of three holding registers.

The data set in the response is as follows:

Response Buffer	4	5	6	7	8	9
Coil Number	+ 0 (high order)	+ 0 (low order)	+ 1 (high order)	+ 1 (low order)	+ 2 (high order)	+ 2 (low order)
Coil Status	00h	07h	00h	09h	00h	FFh
Trip data	Over-voltage trip		Under-voltage trip		No trip	

When the Read Coil Status command cannot be executed normally, refer to the exception response.

Write in Coil [05h]:

This function writes data in a single coil. Coil status changes are as follows:

Data	Coil Status	
	OFF to ON	ON to OFF
Change data (high order)	FFh	00h
Change data (low order)	00h	00h

An example follows (note that to command the inverter, set A002=03):

- Sending a RUN command to an inverter having slave address “10”
- This example writes in coil number “1.”

Query:

No.	Field Name	Example (Hex)
1	Slave address *1	0A
2	Function code	05
3	Coil start number (high order)	00
4	Coil start number (low order)	01
5	Change data (high order)	FF
6	Change data (low order)	00
7	CRC-16 (high order)	DC
8	CRC-16 (low order)	81

Response:

No.	Field Name	Example (Hex)
1	Slave address	0A
2	Function code	05
3	Coil start number (high order)	00
4	Coil start number (low order)	01
5	Change data (high order)	FF
6	Change data (low order)	00
7	CRC-16 (high order)	DC
8	CRC-16 (low order)	81

Note 1: No response is made for a broadcasting query.

When writing in a selected coil fails, see the exception response.

Write in Holding Register [06h]:

This function writes data in a specified holding register. An example follows:

- Write “50Hz” as the first Multi-speed 0 (A020) in an inverter having slave address “5.”
- This example uses change data “500(1F4h)” to set “50Hz” as the data resolution of the register “003Ah” holding the first Multi-speed 0 (A020) is 0.1Hz

Query:

No.	Field Name	Example (Hex)
1	Slave address *1	05
2	Function code	06
3	Register start number (high order)	00
4	Register start number (low order)	3A
5	Change data (high order)	01
6	Change data (low order)	F4
7	CRC-16 (high order)	A8
8	CRC-16 (low order)	54

Response:

No.	Field Name	Example (Hex)
1	Slave address	05
2	Function code	06
3	Register start number (high order)	00
4	Register start number (low order)	3A
5	Change data (high order)	01
6	Change data (low order)	F4
7	CRC-16 (high order)	A8
8	CRC-16 (low order)	54

Note 1: No response is made for a broadcasting query.

When writing in a selected holding register fails, see the exception response.

Loopback Test [08h]:

This function checks a master-slave transmission using any test data. An example follows:

- Send test data to an inverter having slave address “1” and receiving the test data from the inverter (as a loopback test).

Query:

No.	Field Name	Example (Hex)
1	Slave address *1	01
2	Function code	08
3	Test subcode (high order)	00
4	Test subcode (low order)	00
5	Data (high order)	Any
6	Data (low order)	Any
7	CRC-16 (high order)	CRC
8	CRC-16 (low order)	CRC

Response:

No.	Field Name	Example (Hex)
1	Slave address	01
2	Function code	08
3	Test subcode (high order)	00
4	Test subcode (low order)	00
5	Data (high order)	Any
6	Data (low order)	Any
7	CRC-16 (high order)	CRC
8	CRC-16 (low order)	CRC

Note 1: Broadcasting is disabled.

The test subcode is for echo (00h,00h) only and not available to the other commands.

Write in Coils [0Fh]:

This function writes data in consecutive coils. An example follows:

- Change the state of intelligent input terminal [1] to [6] of an inverter having a slave address “5.”
- This example assumes the intelligent input terminals have terminal states listed below.

Item	Data					
Intelligent input terminal	[1]	[2]	[3]	[4]	[5]	[6]
Coil number	7	8	9	10	11	12
Terminal status	ON	ON	ON	OFF	ON	OFF

Query:

No.	Field Name	Example (Hex)
1	Slave address *1	05
2	Function code	0F
3	Coil start number (high order)	00
4	Coil start number (low order)	07
5	Number of coils (high order)	00
6	Number of coils (low order)	06
7	Byte number *2	02
8	Change data (high order) *2	17
9	Change data (low order) *2	00
10	CRC-16 (high order)	DA
11	CRC-16 (low order)	EF

Note 1: Broadcasting is disabled.

Note 2: The change data is a set of high-order data and low-order data. So when the size (in bytes) of data to be changed is an odd number, add “1” to the data size (in bytes) to make it an even number.

Response:

No.	Field Name	Example (Hex)
1	Slave address	05
2	Function code	0F
3	Data size (in bytes)	00
4	Coil data *3	07
5	Number of coils (high order)	00
6	Number of coils (low order)	06
7	CRC-16 (high order)	65
8	CRC-16 (low order)	8C

Writing in Holding Registers [10h]:

This function writes data in consecutive holding registers. An example follows:

- Write “3000 seconds” as the first acceleration time 1 (F002) in an inverter having a slave address “1.”
- This example uses change data “300000(493E0h)” to set “3000 seconds” as the data resolution of the registers “0024h” and “0025h” holding the first acceleration time 1 (F002) is 0.01 second.

Query:

No.	Field Name	Example (Hex)
1	Slave address *1	01
2	Function code	10
3	Start address (high order)	00
4	Start address (low order)	24
5	Number of holding registers (high order)	00
6	Number of holding registers (low order)	02
7	Byte number *2	04
8	Change data 1 (high order)	00
9	Change data 1 (low order)	04
10	Change data 2 (high order)	93
11	Change data 2 (low order)	E0
12	CRC-16 (high order)	DC
13	CRC-16 (low order)	FD

Response:

No.	Field Name	Example (Hex)
1	Slave address	01
2	Function code	10
3	Start address (high order)	00
4	Start address (low order)	24
5	Number of holding registers (high order)	00
6	Number of holding registers (low order)	02
7	CRC-16 (high order)	01
8	CRC-16 (low order)	C3

Note 1: Broadcasting is disabled.

Note 2: This is not the number of holding registers. Specify the number of bytes of data to be changed.

When writing in selected holding registers fails, see the exception response.

Exception Response:

When sending a query (excluding a broadcasting query) to an inverter, the master always requests a response from the inverter. Usually, the inverter returns a response according to the query. However, when finding an error in the query, the inverter returns an exception response. The exception response consists of the fields shown below.

Field Configuration
Slave address
Function code
Exception code
CRC-16

The content of each field is explained below. The function code of the exception response is the sum of the function code of the query and 80h. The exception code indicates the factor of the exception response.

Function Code	
Query	Exception Response
0 1 h	8 1 h
0 3 h	8 3 h
0 5 h	8 5 h
0 6 h	8 6 h
0 F h	8 F h
1 0 h	9 0 h

Exception Code	
Code	Description
0 1 h	The specified function is not supported.
0 2 h	The specified address is not found.
0 3 h	The format of the specified data is not acceptable.
2 1 h	The data to be written in a holding register is outside the inverter
2 2 h	These specified functions are not available to the inverter: <ul style="list-style-type: none"> • Function to change the content of a register that cannot be changed while the inverter is in service • Function to submit an ENTER command during running (UV) • Function to write in a register during tripping (UV) • Function to write in a read-only register (or coil)

Store New Register Data (ENTER command)

After being written in a selected holding register by the Write in Holding Register command (06h) or in selected holding registers by the Write in Holding Registers command (10h), new data is temporary and still outside the storage element of the inverter. If power to the inverter is shut off, this new data is lost and the previous data returns. The ENTER command is used to store this new data in the storage element of the inverter. Follow the instructions below to submit the ENTER command.

Submitting an ENTER Command:

- Write any data in all memory (of a holding register at 0900h) by the Write in Holding Register command [06h].



NOTE: The ENTER command takes much time to run. You can check its progress by monitoring the Data Writing signal (of a coil at 001Ah).



NOTE: The service life of the storage element of the inverter is limited (to about 100,000 write operations). Frequent use of the ENTER command may shorten its service life.

ModBus Data Listing

ModBus Coil List

The following tables list the primary coils for the inverter interface to the network. The table legend is given below.

- **Coil Number** - The network *register address offset* for the coil, in hex and decimal. Actual network address is 30001 + offset. The coil data is a single bit (binary) value.
- **Name** - The functional name of the coil
- **R/W** - The read-only (R) or read-write (R/W) access permitted to the inverter data
- **Description** - The meaning of each of the states of the coils

List of Coil Numbers				
Coil Number		Name	R/W	Description
hex	dec.			
0000h	00000	(Reserved)	R	—
0001h	00001	Run command	R/W	0 Stop 1 Run (enabled when A003=03)
0002h	00002	FW/REV command	R/W	0 REV 1 FW (enabled when A003=03)
0003h	00003	External trip (EXT)	R/W	0 No trip event 1 Trip occurred
0004h	00004	Trip reset (RS)	R/W	0 No reset condition 1 Reset
0005h	00005	(Reserved)	R	—
0006h	00006	(Reserved)	R	—
0007h	00007	Intelligent input terminal 1	R/W	0 OFF *1 1 ON
0008h	00008	Intelligent input terminal 2	R/W	
0009h	00009	Intelligent input terminal 3	R/W	
000Ah	00010	Intelligent input terminal 4	R/W	
000Bh	00011	Intelligent input terminal 5	R/W	
000Ch	00012	Intelligent input terminal 6	R/W	
000Dh	00013	(Not used)	—	—
000Eh	00014	Run/Stop status	R	0 Stop (corresponds to D003 monitor) 1 Run
000Fh	00015	FW/REV status	R	0 FW 1 RV
0010h	00016	Inverter ready	R	0 Not ready 1 Ready
0011h	00017	(Reserved)	R	—

List of Coil Numbers				
Coil Number		Name	R/W	Description
hex	dec.			
0012h	00018	(Reserved)	R	—
0013h	00019	(Reserved)	R	—
0014h	00020	Alarm signal	R	0..... Normal 1..... Trip
0015h	00021	PID deviation signal	R	0..... OFF 1..... ON
0016h	00022	Overload signal	R	
0017h	00023	Frequency arrival signal (set frequency or above)	R	
0018h	00024	Frequency arrival signal (at constant speed)	R	
0019h	00025	Run Mode signal	R	
001Ah	00026	Data writing	R	0..... Normal status 1..... Writing
001Bh	00027	CRC error	R	0..... No error *2 1..... Error
001Ch	00028	Overrun error	R	
001Dh	00029	Framing error	R	
001Eh	00030	Parity error	R	
001Fh	00031	Check sum error	R	

- Note 1:** ON usually when either the control circuit terminal board or a coil is ON. Among intelligent input terminals, the control circuit terminal board is a high-priority terminal. If the master cannot reset the coil ON status due to a transmission line break, turn ON and OFF the control circuit terminal board to make the coil OFF status.
- Note 2:** The content of a transmission error is held until the error is reset. (The error can be reset while the inverter is running.)

ModBus Holding Registers

The following tables list the holding registers for the inverter interface to the network. The table legend is given below.

- **Function Code** - The inverter’s reference code for the parameter or function (same as inverter keypad display)
- **Name** - The standard functional name of the parameter or function for the inverter
- **R/W** - The read-only or read-write access permitted to the data in the inverter
- **Description** - How the parameter or setting works (same as Chapter 3 description)
- **Register** - The network *register address offset* for the value, in hex and decimal. Actual network address is 40001 + offset. Some values have a high-byte and low-byte address.
- **Range** - The numerical range for the network value that is sent and/or received



TIP: The network values are binary integers. Since these values cannot have an embedded decimal point, for many parameters it represents the actual value (in engineering units) multiplied by a factor of 10 or 100. Network communications must use the listed range for network data. The inverter automatically divides received values by the appropriate factor in order to establish the decimal point for internal use. Likewise, the network host computer must apply the same factor when it needs to work in engineering units. However, when sending data to the inverter, the network host computer must scale values to the integer range listed for network communications.

- **Resolution** - This is the quantity represented by the LSB of the network value, in engineering units. When the network data range is greater than the inverter’s internal data range, this 1-bit resolution will be fractional.

List of Holding Registers							
Func. Code	Name	R/W	Description	Network Data			
				Register		Range	Res.
				hex	dec.		
—	Output frequency command		Inverter output frequency (set A001=03 to enable this network register), range is 0.0 to 400.0 Hz	0002h	00002	0 to 4000	0.1 Hz
—	Inverter status	R/W	00 ...Initial status 01 ... (Reserved) 02 ...Stop Mode 03 ...Run Mode 04 ...Free-run stop (FRS) 05 ...Jogging 06 ...DC braking 07 ...Retry 08 ... Trip alarm 09 ... Under-voltage	0003h	00003	0 to 9	—

List of Holding Registers							
Func. Code	Name	R/W	Description	Network Data			
				Register		Range	Res.
				hex	dec.		
—	Process Variable (PV)	RW	PID loop PV value from the network (set A076=02 to enable this setting), range is 0.0 to 100.0%	0005h	00005	0 to 1000	0.1%
D001	Output frequency monitor	R	Real-time display of output frequency to motor, from 0.0 to 400.0 Hz	1002h	04098	0 to 4000	0.1 Hz
D002	Output current monitor *1	R	Filtered display of output current to motor (100 ms internal filter time constant), range is 0 to 200% of inverter rated current	1003h	04099	0 to 2000	0.1%
D003	Rotation direction monitor	R	Three different indications: 00 ...Stop 01 ...Forward 02 ...Reverse	1004h	04100	0, 1, 2	—
D004 (high)	Process variable (PV), PID feedback monitor	R	Displays the scaled PID process variable (feedback) value (A075 is scale factor), range is 0.00 to 99900	1005h	04101	0 to 999900	0.00% times const.
D004 (low)		R		1006h	04102		
D005	Intelligent input terminal status	R	Displays the state of the intelligent input terminals [x], Bit 0 = [1] to Bit 5 = [6]	1007h	04103	0 to 63	—
D006	Intelligent output terminal status	R	Displays the state of the intelligent output terminals [x], Bit 0 = [11], Bit 1 = [12], Bit 2 = [AL]	1008h	04104	0 to 7	—
D007 (high)	Scaled output frequency monitor	R	Displays the output frequency scaled by the constant in B086. Decimal point indicates range: 0.00 to 99999	1009h	04105	0 to 999999	0.01 Hz times const.
D007 (low)		R		100Ah	04106		
D013	Output voltage monitor	R	Voltage of output to motor, range is 0.00 to 200.00%	100Ch	04108	0 to 20000	0.01%
D016 (high)	Cumulative operation RUN time monitor	R	Displays total time the inverter has been in RUN mode in hours. Range is 0 to 999000	100Eh	04110	0 to 999999	1 hour
D016 (low)		R		100Fh	04111		
D017 (high)	Cumulative power-on time monitor	R	Displays total time the inverter has been in RUN mode in hours. Range is 0 to 999000	1010h	04112	0 to 999999	1 hour
D017 (low)		R		1011h	04113		

List of Holding Registers							
Func. Code	Name	R/W	Description	Network Data			
				Register		Range	Res.
				hex	dec.		
D080	Trip counter	R	Number of trip events, range is 0 to 65535	0011h	00024	0 to 65535	1 trip event

Note 1: Assume that the inverter current rating is 1000 (for D002).

The following table lists holding registers for the “D” Group Monitor Functions.

Holding Registers, “D” Group Monitor Functions						
Func. Code	Name	R/W	Description	Network Data		
				Register		Res.
				hex	dec.	
D081	Trip monitor 1	R	Trip monitor 1: factor code	0012h	00018	—
		R	Frequency	0014h	00020	0.1 Hz
		R	Current	0016h	00022	0.1 %
		R	Voltage	0017h	00023	0.1 V
		R	Run time (high)	0018h	00024	1. h
		R	Run time (low)	0019h	00025	
		R	ON time (high)	001Ah	00026	1. h
		R	ON time (low)	001Bh	00027	
D082	Trip monitor 2	R	Trip monitor 1: factor code	001Ch	00028	—
		R	Frequency	001Eh	00030	0.1 Hz
		R	Current	0020h	00032	0.1 %
		R	Voltage	0021h	00033	0.1 V
		R	Run time (high)	0022h	00034	1. h
		R	Run time (low)	0023h	00035	
		R	ON time (high)	0024h	00036	1. h
		R	ON time (low)	0025h	00037	

Holding Registers, "D" Group Monitor Functions						
Func. Code	Name	R/W	Description	Network Data		
				Register		Res.
				hex	dec.	
D083	Trip monitor 3	R	Trip monitor 1: factor code	0026h	00272	—
		R	Frequency	0028h	00273	0.1 Hz
		R	Current	002Ah	00274	0.1 %
		R	Voltage	002Bh	00275	0.1 V
		R	Run time (high)	002Ch	00276	1. h
		R	Run time (low)	002Dh	00277	
		R	ON time (high)	002Eh	00278	1. h
		R	ON time (low)	002Fh	00279	

The table below lists the holding registers for the “F” Group Main Profile Parameters.

Holding Registers, “F” Group Main Profile Parameters							
Func. Code	Name	R/W	Description	Network Data			
				Register		Range	Res.
				hex	dec.		
F002 (high)	Acceleration (1) time setting *1	R/W	Standard default acceleration, range is 0.01 to 3000 sec.	1014h	04116	1 to 300000	0.01 sec
F002 (low)		R/W		1015h	04117		
F202 (high)	Acceleration (1) time setting, 2nd motor *1	R/W	Standard default acceleration, 2nd motor, range is 0.01 to 3000 sec.	1501h	05377	1 to 300000	0.01 sec
F202 (low)		R/W		1502h	05378		
F003 (high)	Deceleration (1) time setting *1	R/W	Standard default deceleration, range is 0.01 to 3000 sec.	1016h	04118	1 to 300000	0.01 sec
F003 (low)		R/W		1017h	04119		
F203 (high)	Deceleration (1) time setting, 2nd motor *1	R/W	Standard default deceleration, 2nd motor, range is 0.01 to 3000 sec.	1503h	05379	1 to 300000	0.01 sec
F203 (low)		R/W		1504h	05380		
F004	Keypad Run key routing	R/W	Two options; select codes: 00 ...Forward 01 ...Reverse	1018h	04120	0, 1	—

Note 1: When the value is 10000 (100.0 seconds), a value in the second decimal place is ignored.

The following table lists the holding registers for the “A” Group Standard Functions.

Holding Registers for “A” Group Standard Functions							
Func. Code	Name	R/W	Description	Network Data			
				Register		Range	Res.
				hex	dec.		
A001	Frequency source setting	R/W	Five options; select codes: 00 .. Keypad potentiometer 01 .. Control terminal 02 .. Function F001 setting 03 .. ModBus network input 10 .. Calculate function output	1019h	04121	0 to 3, 10	—
A002	Run command source setting	R/W	Three options; select codes: 01 .. Control terminal 02 .. Run key on keypad, or digital operator 03 .. ModBus network input	101Ah	04122	1, 2, 3	—
A003	Base frequency setting	R/W	Settable from 30 Hz to the maximum frequency	101Bh	04123	30 to max. freq.	1 Hz
A203	Base frequency setting, 2nd motor	R/W	Settable from 30 Hz to the 2nd maximum frequency	150Ch	05388	30 to max. freq. 2	1 Hz
A004	Maximum frequency setting	R/W	Settable from the base frequency up to 400 Hz	101Ch	04124	30 to 400	1 Hz
A204	Maximum frequency setting, 2nd motor	R/W	Settable from the 2nd base frequency up to 400 Hz	150Dh	05389	30 to 400	1 Hz
A005	[AT] selection	R/W	Four options, select codes: 00 .. Select between [O] and [OI] at [AT] 01 .. [O] + [OI] ([AT] input is ignored) 02 .. Select between [O] and keypad potentiometer 03 .. Select between [OI] and keypad potentiometer	101Dh	04125	0, 1, 2, 3	—
A011	O–L input active range start frequency	R/W	The output frequency corresponding to the analog input range starting point, range is 0.0 to 400.0	1020h	04128	0 to 4000	0.1 Hz
A012	O–L input active range end frequency	R/W	The output frequency corresponding to the analog input range ending point, range is 0.0 to 400.0	1022h	04130	0 to 4000	0.1 Hz
A013	O–L input active range start voltage	R/W	The starting point (offset) for the active analog input range, range is 0. to 100	1023h	04131	0 to 100	1 %

Holding Registers for “A” Group Standard Functions							
Func. Code	Name	R/W	Description	Network Data			
				Register		Range	Res.
				hex	dec.		
A014	O–L input active range end voltage	R/W	The ending point (offset) for the active analog input range, range is 0. to 100.	1024h	04132	0 to 100	1 %
A015	O–L input start frequency enable	R/W	Two options; select codes: 00 ...Use offset (A011 value) 01 ...Use 0 Hz	1025h	04133	0, 1	—
A016	External frequency filter time constant	R/W	Range n = 1 to 16, where n = number of samples for avg. Set = 17 to use 16-sample avg.	1026h	04134	1 to 17	1 sample
A020	Multi-speed 0 setting	R/W	Defines the first speed of a multi-speed profile, range is 0.0 / start frequency to 400 Hz A020 = Speed 0 (1st motor)	1029h	04137	0 / start freq. to 4000	0.1 Hz
A220	Multi-speed 0 setting, 2nd motor	R/W	Defines the first speed of a multi-speed profile, range is 0.0 / start frequency to 400 Hz A220 = Speed 0 (2nd motor)	150Fh	00059	0 / start freq. to 4000	0.1 Hz
A021	Multi-speed 1 setting	R/W	Defines 15 more speeds, range is 0.0 / start frequency to 400 Hz. A021= Speed 1... A035 = Speed 15	102Bh	04139	0 / start freq. to 4000	0.1 Hz
A022	Multi-speed 2 setting	R/W		102Dh	04141		
A023	Multi-speed 3 setting	R/W		102Fh	04143		
A024	Multi-speed 4 setting	R/W		1031h	04145		
A025	Multi-speed 5 setting	R/W		1033h	04147		
A026	Multi-speed 6 setting	R/W		1035h	04149		
A027	Multi-speed 7 setting	R/W		1037h	04151		
A028	Multi-speed 8 setting	R/W		1039h	04153		
A029	Multi-speed 9 setting	R/W		103Bh	04155		
A030	Multi-speed 10 setting	R/W		103Dh	04157		
A031	Multi-speed 11 setting	R/W		103Fh	04159		
A032	Multi-speed 12 setting	R/W		1041h	04161		
A033	Multi-speed 13 setting	R/W		1043h	04163		
A034	Multi-speed 14 setting	R/W		1045h	04165		
A035	Multi-speed 15 setting	R/W		1047h	04167		
A038	Jog frequency setting	R/W	Defines limited speed for jog, range is 0.00 / start frequency to 9.99 Hz	1048h	04168	0 / start freq. to 999	0.01 Hz

Holding Registers for “A” Group Standard Functions

Func. Code	Name	R/W	Description	Network Data			
				Register		Range	Res.
				hex	dec.		
A039	Jog stop mode	R/W	Define how end of jog stops the motor; three options: 00 .. Free-run stop 01 .. Controlled deceleration 02 .. DC braking to stop	1049h	04169	0, 1, 2	—
A042	Manual torque boost value	R/W	Can boost starting torque between 0 and 20% above normal V/f curve, range is 0.0 to 20.0%	104Bh	04171	0 to 200	0.1 %
A242	Manual torque boost value, 2nd motor	R/W		1511h	05393		
A043	Manual torque boost frequency adjustment	R/W	Sets the frequency of the V/f breakpoint A in graph (top of previous page) for torque boost, range is 0.0 to 50.0%	104Ch	04172	0 to 500	0.1 %
A243	Manual torque boost frequency adjustment, 2nd motor	R/W		1512h	05394		
A044	V/f characteristic curve selection	R/W	Two available V/f curves; three select codes: 00 .. Constant torque 01 .. Reduced torque 02 .. Intelligent sensorless vector control	104Dh	04173	0, 1, 2	—
A244	V/f characteristic curve selection, 2nd motor	R/W		1513h	05395		
A045	V/f gain setting	R/W	Sets voltage gain of the inverter, range is 20. to 100.%	104Eh	04174	20 to 100	1 %
A046	Automatic torque boost voltage gain	R/W	Sets torque boost voltage gain of the inverter, range is 0 to 255	104Fh	04175	0 to 255	—
A246	Automatic torque boost voltage gain, 2nd motor	R/W		1515h	05397		
A047	Automatic torque boost slip gain	R/W	Sets torque boost slip gain of the inverter, range is 0 to 255	1050h	04176	0 to 255	—
A247	Automatic torque boost slip gain, 2nd motor	R/W		1516h	05398		
A051	DC braking enable	R/W	Two options; select codes: 00 .. Disable 01 .. Enable	1051h	04177	0, 1	—
A052	DC braking frequency setting	R/W	The frequency at which DC braking begins, range is from the start frequency (B082) to 60 Hz	1052h	04178	(B082 x 10) to 600	0.1 Hz
A053	DC braking wait time	R/W	The delay from the end of controlled deceleration to start of DC braking (motor free runs until DC braking begins), range is 0.0 to 5.0 sec.	1053h	04179	0, 1	—

Holding Registers for “A” Group Standard Functions

Func. Code	Name	R/W	Description	Network Data			
				Register		Range	Res.
				hex	dec.		
A054	DC braking force for deceleration	R/W	Level of DC braking force, settable from 0 to 100%	1054h	04180	0 to 100	1 %
A055	DC braking time for deceleration	R/W	Sets the duration for DC braking, range is 0.0 to 60.0 seconds	1055h	04181	0 to 600	0.1 sec
A056	DC braking / edge or level detection for [DB] input	R/W	Two options; select codes: 00 ...Edge detection 01 ...Level detection	1056h	04182	0, 1	—
A061	Frequency upper limit setting	R/W	Sets a limit on output frequency less than the maximum frequency (A004). Range is from frequency lower limit (A062) to maximum frequency (A004). 0.0 ..setting is disabled >0.1 setting is enabled	105Ah	04186	(A062 x 10) to (A004 x 10), 0=disable >1=enable	0.1 Hz
A261	Frequency upper limit setting, 2nd motor	R/W		1517h	05399		
A062	Frequency lower limit setting	R/W	Sets a limit on output frequency greater than zero. Range is start frequency (B082) to frequency upper limit (A061). 0.0 ..setting is disabled >0.1 setting is enabled	105Bh	04187	(B082 x 10) to (A061 x 10), 0=disable >1=enable	0.1 Hz
A262	Frequency lower limit setting, 2nd motor	R/W		1518h	05400		
A063, A065, A067	Jump (center) frequency setting	R/W	Up to 3 output frequencies can be defined for the output to jump past to avoid motor resonances (center frequency) Range is 0.0 to 400.0 Hz	105Dh 1060h 1063h	04189 04192 04195	0 to 4000	0.1 Hz
A064, A066, A068	Jump (hysteresis) frequency width setting	R/W	Defines the distance from the center frequency at which the jump around occurs Range is 0.0 to 10.0 Hz	105Eh 1061h 1064h	04190 04193 04196	0 to 100	0.1 Hz
A071	PID Enable	R/W	Enables PID function, two option codes: 00 ...PID Disable 01 ...PID Enable	1068h	04200	0, 1	—
A072	PID proportional gain	R/W	Proportional gain has a range of 0.2 to 5.0	1069h	04201	2 to 50	0.1
A073	PID integral time constant	R/W	Integral time constant has a range of 0.0 to 150 seconds	106Ah	04202	0 to 1500	0.1 sec
A074	PID derivative time constant	R/W	Derivative time constant has a range of 0.0 to 100 seconds	106Bh	04203	0 to 1000	0.1 sec

Holding Registers for "A" Group Standard Functions							
Func. Code	Name	R/W	Description	Network Data			
				Register		Range	Res.
				hex	dec.		
A075	PV scale conversion	R/W	Process Variable (PV) scale factor (multiplier), range of 0.01 to 99.99	106Ch	04204	1 to 9999	0.01
A076	PV source setting	R/W	Selects source of Process Variable (PV), option codes: 00 .. [OI] terminal (current in) 01 .. [O] terminal (voltage in) 02 .. Network 03 .. Calculate function output	106Dh	04205	0, 1, 2, 3	—
A077	Reverse PID action	R/W	Two option codes: 00 .. PID input = SP – PV 01 .. PID input = –(SP – PV)	106Eh	04206	0, 1	—
A078	PID output limit	R/W	Sets the limit of PID output as percent of full scale, range is 0.0 to 100.0%	106Fh	04207	0 to 1000	0.1 %
A081	AVR function select	R/W	Automatic (output) voltage regulation, selects from three type of AVR functions, three option codes: 00 .. AVR enabled 01 .. AVR disabled 02 .. AVR enabled except during deceleration	1070h	04208	0, 1, 2	—
A082	AVR voltage select	R/W	200V class inverter settings: 00 .. 200 01 .. 215 02 .. 220 03 .. 230 04 .. 240 400V class inverter settings: 00 .. 380 01 .. 400 02 .. 415 03 .. 440 04 .. 460 05 .. 480	1071h	04209	0 to 5	—
A092 (high)	Acceleration (2) time setting	R/W	Duration of 2nd segment of acceleration, range is: 0.01 to 3000 sec.	1074h	04212	1 to 300000 *1	0.1 sec
A092 (low)		R/W		1075h	04213		
A292 (high)	Acceleration (2) time setting, (2nd motor)	R/W	Duration of 2nd segment of acceleration, 2nd motor, range is: 0.01 to 3000 sec	1518h	05400	1 to 300000 *1	0.1 sec
A292 (low)		R/W		1519h	05401		

Holding Registers for “A” Group Standard Functions

Func. Code	Name	R/W	Description	Network Data			
				Register		Range	Res.
				hex	dec.		
A093 (high)	Deceleration (2) time setting	R/W	Duration of 2nd segment of deceleration, range is: 0.01 to 3000 sec.	1076h	04214	1 to 300000 *1	0.1 sec
A093 (low)		R/W		1077h	04215		
A293 (high)	Deceleration (2) time setting, (2nd motor)	R/W	Duration of 2nd segment of deceleration, range is: 0.01 to 3000 sec.	151Ah	00122	1 to 300000 *1	0.1 sec
A293 (low)		R/W		151Bh	00123		
A094	Select method to switch to Acc2/Dec2 profile	R/W	Two options for switching from 1st to 2nd accel/decel: 00 ...2CH input from terminal 01 ...transition frequency	1078h	04216	0, 1	—
A294	Select method to switch to Acc2/Dec2 profile, 2nd motor	R/W		151Ch	05404		
A095	Acc1 to Acc2 frequency transition point	R/W	Output frequency at which Accel1 switches to Accel2, range is 0.0 to 400.0 Hz	107Ah	04218	0 to 4000	0.1 Hz
A295	Acc1 to Acc2 frequency transition point, 2nd motor	R/W		151Eh	05406		
A096	Dec1 to Dec2 frequency transition point	R/W	Output frequency at which Decel1 switches to Decel2, range is 0.0 to 400.0 Hz	107Ch	04220	0 to 4000	0.1 Hz
A296	Dec1 to Dec2 frequency transition point, 2nd motor	R/W		1520h	05408		
A097	Acceleration curve selection	R/W	Set the characteristic curve of Acc1 and Acc2, two options: 00 ...linear 01 ...S-curve	107Dh	04221	0, 1	—
A098	Deceleration curve selection	R/W	Set the characteristic curve of Acc1 and Acc2, two options: 00 ...linear 01 ...S-curve	107Eh	04222	0, 1	—
A101	[OI]–[L] input active range start frequency	R/W	The output frequency corresponding to the current input range starting point. Range is 0.00 to 400.0 Hz	1080h	04224	0 to 4000	0.1 Hz
A102	[OI]–[L] input active range end frequency	R/W	The output frequency corresponding to the current input range ending point. Range is 0.00 to 400.0 Hz	1082h	04226	0 to 4000	0.1 Hz

Holding Registers for "A" Group Standard Functions

Func. Code	Name	R/W	Description	Network Data			
				Register		Range	Res.
				hex	dec.		
A103	[OI]–[L] input active range start current	R/W	The starting point for the current input range. Range is 0. to 100.%	1083h	04227	0 to 100	1 %
A104	[OI]–[L] input active range end current	R/W	The ending point for the current input range. Range is 0. to 100.%	1084h	04228	0 to 100	1 %
A105	[OI]–[L] input start frequency enable	R/W	Two options: 00 .. Use A101 start value 01 .. Use 0Hz	1085h	04229	0, 1	—
A141	A input select for calculate function	R/W	Five options: 00 .. Digital operator 01 .. Keypad potentiometer 02 .. [O] input 03 .. [OI] input 04 .. Network variable	108Eh	04238	0 to 4	—
A142	B input select for calculate function	R/W	Five options: 00 .. Digital operator 01 .. Keypad potentiometer 02 .. [O] input 03 .. [OI] input 04 .. Network variable	108Fh	04239	0 to 4	—
A143	Calculation symbol	R/W	Calculates a value based on the A input source (A141 selects) and the B input source (A142 selects). Three options: 00 .. ADD (A input + B input) 01 .. SUB (A input – B input) 02 .. MUL (A input x B input)	1090h	04240	0 1, 2	—
A145	ADD frequency	R/W	An offset value that is applied to the output frequency when the [ADD] terminal is ON. Range is 0.0 to 400.0 Hz	1091h	04241	0 to 4000	0.1 Hz
A146	ADD direction select	R/W	Two options: 00 .. Plus (adds A145 value to the output frequency setting) 01 .. Minus (subtracts A145 value from the output frequency setting)	1093h	04243	0, 1	—
A151	Pot. input active range start frequency	R/W	The output frequency corresponding to the potentiometer range starting point, range is 0.0 to 400.0	1095h	4245	0 to 4000	0.1 Hz

Holding Registers for "A" Group Standard Functions							
Func. Code	Name	R/W	Description	Network Data			
				Register		Range	Res.
				hex	dec.		
A152	Pot. input active range end frequency	R/W	The output frequency corresponding to the potentiometer range ending point, range is 0.0 to 400.0	1097h	4247	0 to 4000	0.1 Hz
A153	Pot. input active range start current	R/W	The output frequency corresponding to the potentiometer range starting point, range is 0 to 100	1098h	4248	0 to 100	1%
A154	Pot. input active range end current	R/W	The output frequency corresponding to the potentiometer range ending point, range is 0 to 100	1099h	4249	0 to 100	1%
A155	Pot. input start frequency enable	R/W	Two options: 00 ...Disable 01 ...Enable	109Ah	4250	0, 1	—

Note 1: When the value is 10000 (100.0 seconds), a value in the second decimal place is ignored (for A092/A292 and A093/A293).

The following table lists the holding registers for the “B” Group Fine Tuning Functions.

“B” Group Fine Tuning Functions							
Func. Code	Name	R/W	Description	Network Data			
				Register		Range	Res.
				hex	dec.		
B001	Selection of automatic restart mode	R/W	Select inverter restart method, four option codes: 00... Alarm output after trip, no automatic restart 01... Restart at 0Hz 02... Resume operation after frequency matching 03... Resume previous freq. after freq. matching, then decelerate to stop and display trip info.	10A5h	04261	0, 1, 2, 3	—
B002	Allowable under-voltage power failure time	R/W	The amount of time a power input under-voltage can occur without tripping the power failure alarm. Range is 0.3 to 25 sec. If under-voltage exists longer than this time, the inverter trips, even if the restart mode is selected.	10A6h	04262	3 to 250	0.1 sec
B003	Retry wait time before motor restart	R/W	Time delay after under-voltage condition goes away, before the inverter runs motor again. Range is 0.3 to 100 seconds.	10A7h	04263	3 to 1000	0.1 sec
B004	Instantaneous power failure / under-voltage trip alarm enable	R/W	Two option codes: 00... Disable 01... Enable	10A8h	04264	0, 1	—
B005	Number of restarts on power failure / under-voltage trip events	R/W	Two option codes: 00... Restart 16 times 01... Always restart	10A9h	04265	0, 1	—
B012	Level of electronic thermal setting	R/W	Set a level between 20% and 120% for the rated inverter current	10ADh	04269	2000 to 12000	0.01%
B212	Level of electronic thermal setting, 2nd motor	R/W		1526h	05414		
B013	Electronic thermal characteristic	R/W	Select from two curves, option codes: *1 00... Reduced torque 1 01... Constant torque 02... Reduced torque 2	10AEh	04270	0, 1, 2	—
B213	Electronic thermal characteristic, 2nd motor	R/W		1527h	05415		

"B" Group Fine Tuning Functions							
Func. Code	Name	R/W	Description	Network Data			
				Register		Range	Res.
				hex	dec.		
B021	Overload restriction operation mode	R/W	Select the operating mode during overload conditions, three options, option codes: 00... Disabled 01... Enabled for acceleration and constant speed 02... Enabled for constant speed only	10B5h	04277	0, 1, 2	—
B022	Overload restriction setting	R/W	Sets the level for overload restriction, between 20% and 150% of the rated current of the inverter, setting resolution is 1% of rated current	10B6h	04278	2000 to 15000	0.01%
B023	Deceleration rate at overload restriction	R/W	Sets the deceleration rate when inverter detects overload, range is 0.1 to 30.0, resolution is 0.1	10B7h	04279	1 to 300	0.1 sec
B028	Overload restriction source selection	R/W	Two options; select codes: 00... B022/B222 setting level 01... [O]–[L] analog input	10BBh	04283	0, 1	—
B228	Overload restriction source selection, 2nd motor	R/W	Two options; select codes: 00... B022/B222 setting level 01... [O]–[L] analog input	152Bh	05419	0, 1	—
B031	Software lock mode selection	R/W	Prevents parameter changes, in four options, option codes: 00... all parameters except B031 are locked when [SFT] terminal is ON 01... all parameters except B031 and output frequency F001 when [SFT] terminal is ON 02... all parameters except B031 are locked 03... all parameters except B031 and output frequency F001 setting are locked	10BCh	04284	0, 1, 2, 3	—
B080	[AM] analog signal gain	R/W	Adjust of analog output at terminal [AM], range is 0 to 255	10CFh	04303	0 to 255	—
B082	Start frequency adjustment	R/W	Sets the starting frequency for the inverter output, range is 0.5 to 9.9 Hz	10D1h	04305	5 to 99	0.1 Hz

"B" Group Fine Tuning Functions							
Func. Code	Name	R/W	Description	Network Data			
				Register		Range	Res.
				hex	dec.		
B083	Carrier frequency setting	R/W	Sets the PWM carrier (internal switching frequency), range is 2.0 to 14.0 kHz	10D2h	04306	20 to 140	0.1 Hz
B084	Initialization mode (parameters or trip history)	R/W	Select the type of initialization to occur, two option codes: 00... Trip history clear 01... Parameter initialization 02... Trip history clear and parameter initialization	10D3h	04307	0, 1, 2	—
B085	Country code for initialization (not accessible to ModBus)	—	Select default parameter values for country on initialization. Note: Write not allowed from network.	10D4h	04308	—	—
B086	Frequency scaling conversion factor	R/W	Specify a constant to scale the displayed frequency for D007 monitor, range is 0.1 to 99.9	10D5h	04309	1 to 999	0.1
B087	STOP key enable	R/W	Select whether the STOP key on the keypad is enabled, two option codes: 00... enabled 01... disabled	10D6h	04310	0, 1	—
B088	Restart mode after FRS	R/W	Selects how the inverter resumes operation when the free-run stop (FRS) is cancelled, two options: 00... Restart from 0Hz 01... Restart from frequency detected from real speed of motor (frequency matching)	10D7h	04311	0, 1	—
B090	Dynamic braking usage ratio	R/W	Selects the rate of use (in %) of the regenerative braking resistor per 100 sec. intervals, range is 0.0 to 100.0% 0% .Dynamic braking disabled >0% Enabled, per value	10D9h	04313	0 = disabled, 1 to 1000 enabled	0.1 %
B091	Stop mode selection	R/W	Selects how the inverter stops the motor, two option codes: 00... DEC (decelerate and stop) 01... FRS (free run to stop)	10DAh	04314	0, 1	—

“B” Group Fine Tuning Functions							
Func. Code	Name	R/W	Description	Network Data			
				Register		Range	Res.
				hex	dec.		
B092	Cooling fan control	R/W	Selects when the fan is ON per inverter operation, two options: 00... Fan is always ON 01... Fan is ON during run, OFF during stop (5 min. delay from ON to OFF) 02... Fan is temperature controlled	10DBh	04315	0, 1, 2	—
B095	Dynamic braking control	R/W	Three option codes: 00... Disable 01... Enable during RUN only 02... Enable always	10DC h	04316	0, 1, 2	—
B096	Dynamic braking activation level	R/W	Range is: 330 to 380V (200V class), 660 to 760V (400V class)	10DD h	04317	330 to 380, 660 to 760	1 V
B130	Over-voltage LADSTOP enable	R/W	Pauses deceleration ramp when DC bus voltage rises above threshold level, in order to avoid over-voltage trip. Two option codes: 00... Disable 01... Enable	10F5h	04341	0, 1	—
B131	Over-voltage LADSTOP level	R/W	Sets the threshold level for over-voltage LADSTOP. When the DC bus voltage is above the threshold value, the inverter stops deceleration until the DC bus voltage is less than the threshold setting again.	10F6h	04342	330 to 390, 660 to 780	1 V
B140	Over-current trip suppression	R/W	Two option codes: 00... Disable 01... Enable	10F7h	04343	0, 1	—
B150	Carrier mode (not accessible to ModBus)	—	Automatically reduces the carrier frequency as the ambient temperature increases. Two option codes: 00... Disable 01... Enable	10F8h	04344	0, 1	—

"B" Group Fine Tuning Functions							
Func. Code	Name	R/W	Description	Network Data			
				Register		Range	Res.
				hex	dec.		
B151	Quick-start enable	R/W	Enables inverter output for constant ON operation to speed up response, two option codes: 00...Disable 01...Enable	10F9	4345	0, 1	—

Note 1: Assume that the inverter current rating is 10000 (for B013/B213).

The following table lists the holding registers for the “C” Group Intelligent Input Functions.

“C” Group Intelligent Terminal Functions							
Func. Code	Name	R/W	Description	Network Data			
				Register		Range	Res.
				hex	dec.		
C001	Terminal [1] function	R/W	See “Input Terminal Configuration” on page 3–45	1103h	04355	0, 1, 2, 3, 4, 5, 6, 7, 8, 9, 11, 12, 13, 15, 16, 18, 19, 20, 21, 22, 23, 24, 27, 28, 29, 31, 50, 51, 52, 53, 255	—
C002	Terminal [2] function	R/W		1104h	04356		
C003	Terminal [3] function	R/W		1105h	04357		
C004	Terminal [4] function	R/W		1106h	04358		
C005	Terminal [5] function	R/W		1107h	04359		
C006	Terminal [6] function	R/W		1108h	04360		
C011	Terminal [1] active state	R/W	Select logic convention, two option codes: 00...normally open [NO] 01...normally closed [NC]	110Bh	04363	0, 1	—
C012	Terminal [2] active state	R/W		110Ch	04364	0, 1	—
C013	Terminal [3] active state	R/W		110Dh	04365	0, 1	—
C014	Terminal [4] active state	R/W		110Eh	04366	0, 1	—
C015	Terminal [5] active state	R/W		110Fh	04367	0, 1	—
C016	Terminal [6] active state	R/W		1110h	04368	0, 1	—
C021	Terminal [11] function	R/W	See “Output Terminal Configuration” on page 3–52	1114h	04372	0, 1, 2, 3, 4, 5, 6, 7, 8, 9, 10	—
C022	Terminal [12] function	R/W		1115h	04373		
C026	Alarm relay terminal function	R/W		1119h	04377		
C028	[AM] signal selection	R/W	Two available functions: 00... Actual motor speed 01... Motor current	111Bh	04379	0, 1	—
C031	Terminal [11] active state	R/W	Select logic convention, two option codes: 00...normally open (NO) 01...normally closed (NC)	111Dh	04381	0, 1	—
C032	Terminal [12] active state	R/W	Select logic convention, two option codes: 00...normally open (NO) 01...normally closed (NC)	111Eh	04382	0, 1	—
C036	Alarm relay active state	R/W	Select logic convention, two option codes: 00...normally open (NO) 01...normally closed (NC)	1122h	04370	0, 1	—

"C" Group Intelligent Terminal Functions							
Func. Code	Name	R/W	Description	Network Data			
				Register		Range	Res.
				hex	dec.		
C041	Overload level setting	R/W	Sets the overload signal level between 0% and 200% (from 0 to two times the rated current of the inverter)	1124h	04388	0 to 20000	0.01 %
C042	Frequency arrival setting for acceleration	R/W	Sets the frequency arrival setting threshold for the output frequency during acceleration, range is 0.0 to 400.0 Hz	1126h	04390	0 to 4000 *1	0.1 Hz
C043	Arrival frequency setting for deceleration	R/W	Sets the frequency arrival setting threshold for the output frequency during deceleration, range is 0.0 to 400.0 Hz	1128h	04392	0 to 4000	0.1 Hz
C044	PID deviation level setting	R/W	Sets the allowable PID loop error magnitude (absolute value), SP - PV, range is 0.0 to 100%, resolution is 0.1%	1129h	04393	0 to 1000	0.1 %
C052	PID FBV function high limit	R/W	When the PV exceeds this value, the PID loop turns OFF the PID Second Stage Output, range is 0.0 to 100.0%	112Eh	04398	0 to 1000	0.1 %
C053	PID FBV function low limit	R/W	When the PV goes below this value, the PID loop turns ON the PID Second Stage Output, range is 0.0 to 100.0%	112Fh	04399	0 to 1000	0.1 %
C071	Communication speed selection	—	NOTE: These network settings are not accessible to ModBus. Use the inverter keypad or digital operator to edit. Refer to "Network Communication Settings" on page 3-56.	1138h	04408	—	—
C072	Node allocation	—		1139h	04409	—	—
C074	Communication parity selection	—		113Bh	04411	—	—
C075	Communication stop bit selection	—		113Ch	04412	—	—
C076	Communication error select	—		113Dh	04413	—	—
C077	Communication error time-out	—		113Eh	04414	—	—
C078	Communication wait time	—		113Fh	04415	—	—

“C” Group Intelligent Terminal Functions							
Func. Code	Name	R/W	Description	Network Data			
				Register		Range	Res.
				hex	dec.		
C081	O input span calibration	R/W	Scale factor between the external frequency command on terminals L – O (voltage input) and the frequency output, range is 0.0 to 200.0%	1141h	04417	0 to 2000	0.1 %
C082	OI input span calibration	R/W	Scale factor between the external frequency command on terminals L – OI (current input) and the frequency output, range is 0.0 to 200.0%	1142h	04418	0 to 2000	0.1 %
C085	Thermistor input tuning	R/W	Range is 0.0 to 200.0%	1144h	04420	0 to 2000	0.1 %
C086	[AM] terminal offset tuning	R/W	Range is 0.0 to 10.0V	1145h	04421	0 to 100	0.1 V
C091	Debug mode enable	R	Displays debug parameters. Two option codes: 00...Disable 01...Enable	1148h	04424	0, 1	—
C101	Up/Down memory mode selection	R/W	Controls speed setpoint for the inverter after power cycle. Two option codes: 00...Clear last frequency (return to default frequency F001) 01...Keep last frequency adjusted by UP/DWN	1149h	04425	0, 1	—
C102	Reset selection	R/W	Determines response to Reset input [RST]. Three option codes: 00...Cancel trip state at input signal ON transition, stops inverter if in Run Mode 01...Cancel trip state at signal OFF transition, stops inverter if in Run Mode 02...Cancel trip state at input signal ON transition, no effect if in Run Mode	114Ah	04426	0, 1, 2	—
C141	Input A select for logic output	R/W	See “Output Logic and Timing” on page 3–59	1150h	04432	0, 1, 2, 3, 4, 5, 6, 7, 8, 9	—
C142	Input B select for logic output	R/W		1151h	04433		

"C" Group Intelligent Terminal Functions							
Func. Code	Name	R/W	Description	Network Data			
				Register		Range	Res.
				hex	dec.		
C143	Logic function select	R/W	Applies a logic function to calculate [LOG] output state, three options: 00 ... [LOG] = A AND B 01 ... [LOG] = A OR B 02 ... [LOG] = A XOR B	1152h	04434	0, 1, 2	—
C144	Terminal [11] ON delay	R/W	Range is 0.0 to 100.0 sec.	1153h	04435	0 to 1000	0.1 sec
C145	Terminal [11] OFF delay	R/W	Range is 0.0 to 100.0 sec.	1154h	04436	0 to 1000	0.1 sec
C146	Terminal [12] ON delay	R/W	Range is 0.0 to 100.0 sec.	1155h	04437	0 to 1000	0.1 sec
C147	Terminal [12] OFF delay	R/W	Range is 0.0 to 100.0 sec.	1156h	04438	0 to 1000	0.1 sec
C148	Output relay ON delay	R/W	Range is 0.0 to 100.0 sec.	1157h	04439	0 to 1000	0.1 sec
C149	Output relay OFF delay	R/W	Range is 0.0 to 100.0 sec.	1158h	04340	0 to 1000	0.1 sec

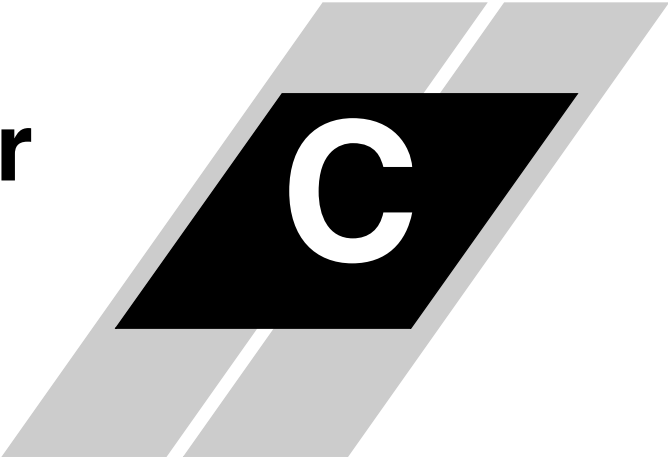
Note 1: Assume that the inverter current rating is 10000 (for C041).

The following table lists the holding registers for the “H” Group Motor Constants.

“H” Group Motor Constants							
Func. Code	Name	R/W	Description	Network Data			
				Register		Range	Res.
				hex	dec.		
H003	Motor capacity	R/W	Thirteen selections: 00.20 kW 10.37 kW 20.40 kW 30.55 kW 40.75 kW 51.10 kW 61.50 kW 72.2 kW 83.0 kW 93.7 kW 10 ...4.0 kW 11 ...5.5 kW 12 ...7.5 kW	1165h	04453	0 to 12	—
H203	Motor capacity, 2nd setting	R/W		1540h	05440	0 to 12	—
H004	Motor poles setting	R/W	Four selections: 2 / 4 / 6 / 8	1166h	04454	2, 4, 6, 8	1 pole
H204	Motor poles setting, 2nd motor	R/W		1541h	05441	2, 4, 6, 8	1 pole
H006	Motor stabilization constant	R/W	Motor constant (factory set), range is 0 to 255	1168h	04456	0 to 255	1
H206	Motor stabilization constant, 2nd motor	R/W		1543h	05443	0 to 255	1
H007	Motor voltage select	R/W	Two selections, option codes: 00 ...200V 01 ...400V	1169h	04457	0, 1	—
H207	Motor voltage select, 2nd motor	R/W		1544h	05444	0, 1	—



Drive Parameter Settings Tables



In This Appendix....	page
— Introduction	2
— Parameter Settings for Keypad Entry.....	2

Introduction

This appendix lists the user-programmable parameters for the SJ2002 series inverters and the default values for European and U.S. product types. The right-most column of the tables is blank, so you can record values you have changed from the default. This involves just a few parameters for most applications. This appendix presents the parameters in a format oriented toward the keypad on the inverter.

Parameter Settings for Keypad Entry

SJ2002 series inverters provide many functions and parameters that can be configured by the user. We recommend that you record all parameters that have been edited, in order to help in troubleshooting or recovery from a loss of parameter data.

Inverter model SJ2002

MFG. No.

} This information is printed on the specification label located on the right side of the inverter.

Main Profile Parameters

"F" Group Parameters		Default Setting		User Setting
Func. Code	Name	-FE(F) (Europe)	-FU (USA)	
F001	Output frequency setting	0.0	0.0	
F002	Acceleration (1) time setting	10.0	10.0	
F202	Acceleration (1) time setting, 2nd motor	10.0	10.0	
F003	Deceleration (1) time setting	10.0	10.0	
F203	Deceleration (1) time setting, 2nd motor	10.0	10.0	
F004	Keypad Run key routing	00	00	

Standard Functions

“A” Group Parameters		Default Setting		User Setting
Func. Code	Name	-FE(F) (EU)	-FU (USA)	
A001	Frequency source setting	01	00	
A201	Frequency source setting, 2nd motor	01	00	
A002	Run command source setting	01	02	
A202	Run command source setting, 2nd motor	01	02	
A003	Base frequency setting	50.0	60.0	
A203	Base frequency setting, 2nd motor	50.0	60.0	
A004	Maximum frequency setting	50.0	60.0	
A204	Maximum frequency setting, 2nd motor	50.0	60.0	
A005	[AT] selection	00	00	
A011	O-L input active range start frequency	0.0	0.0	
A012	O-L input active range end frequency	0.0	0.0	
A013	O-L input active range start voltage	0.0	0.0	
A014	O-L input active range end voltage	100.	100.	
A015	O-L input start frequency enable	01	01	
A016	External frequency filter time constant	2.	8.	
A020	Multi-speed 0 setting	0.0	0.0	
A220	Multi-speed 0 setting, 2nd motor	0.0	0.0	
A021	Multi-speed 1 setting	0.0	0.0	
A022	Multi-speed 2 setting	0.0	0.0	
A023	Multi-speed 3 setting	0.0	0.0	
A024	Multi-speed 4 setting	0.0	0.0	
A025	Multi-speed 5 setting	0.0	0.0	
A026	Multi-speed 6 setting	0.0	0.0	
A027	Multi-speed 7 setting	0.0	0.0	

“A” Group Parameters		Default Setting		User Setting
Func. Code	Name	-FE(F) (EU)	-FU (USA)	
A028	Multi-speed 8 setting	0.0	0.0	
A029	Multi-speed 9 setting	0.0	0.0	
A030	Multi-speed 10 setting	0.0	0.0	
A031	Multi-speed 11 setting	0.0	0.0	
A032	Multi-speed 12 setting	0.0	0.0	
A033	Multi-speed 13 setting	0.0	0.0	
A034	Multi-speed 14 setting	0.0	0.0	
A035	Multi-speed 15 setting	0.0	0.0	
A038	Jog frequency setting	1.00	1.00	
A039	Jog stop mode	00	00	
A042	Manual torque boost value	5.0	0.0	
A242	Manual torque boost value, 2nd motor	0.0	0.0	
A043	Manual torque boost frequency adjustment	3.0	3.0	
A243	Manual torque boost frequency adjustment, 2nd motor	0.0	0.0	
A044	V/f characteristic curve selection	02	02	
A244	V/f characteristic curve selection, 2nd motor	02	02	
A045	V/f gain setting	100.	100.	
A245	V/f gain setting, 2nd motor	100.	100.	
A046	Automatic torque boost voltage gain	100	100	
A246	Automatic torque boost voltage gain, 2nd motor	100	100	
A047	Automatic torque boost slip gain	100	100	
A247	Automatic torque boost slip gain, 2nd motor	100	100	
A051	DC braking enable	00	00	
A052	DC braking frequency setting	0.5	0.5	
A053	DC braking wait time	0.0	0.0	
A054	DC braking force for deceleration	0	0	
A055	DC braking time for deceleration	0.0	0.0	

“A” Group Parameters		Default Setting		User Setting
Func. Code	Name	-FE(F) (EU)	-FU (USA)	
A056	DC braking / edge or level detection for [DB] input	01	01	
A061	Frequency upper limit setting	0.0	0.0	
A261	Frequency upper limit setting, 2nd motor	0.0	0.0	
A062	Frequency lower limit setting	0.0	0.0	
A262	Frequency lower limit setting, 2nd motor	0.0	0.0	
A063, A065, A067	Jump (center) frequency setting	0.0	0.0	
A064, A066, A068	Jump (hysteresis) frequency width setting	0.5	0.5	
A071	PID Enable	00	00	
A072	PID proportional gain	1.0	1.0	
A073	PID integral time constant	1.0	1.0	
A074	PID derivative time constant	0.0	0.0	
A075	PV scale conversion	1.00	1.00	
A076	PV source setting	00	00	
A077	Reverse PID action	00	00	
A078	PID output limit	0.0	0.0	
A081	AVR function select	00	00	
A082	AVR voltage select	230/400	230/460	
A092	Acceleration (2) time setting	15.00	15.00	
A292	Acceleration (2) time setting, (2nd motor)	15.00	15.00	
A093	Deceleration (2) time setting	15.00	15.00	
A293	Deceleration (2) time setting, (2nd motor)	15.00	15.00	
A094	Select method to switch to Acc2/Dec2 profile	00	00	
A294	Select method to switch to Acc2/Dec2 profile, 2nd motor	00	00	
A095	Acc1 to Acc2 frequency transition point	0.0	0.0	

“A” Group Parameters		Default Setting		User Setting
Func. Code	Name	-FE(F) (EU)	-FU (USA)	
A295	Acc1 to Acc2 frequency transition point, 2nd motor	0.0	0.0	
A096	Dec1 to Dec2 frequency transition point	0.0	0.0	
A296	Dec1 to Dec2 frequency transition point, 2nd motor	0.0	0.0	
A097	Acceleration curve selection	00	00	
A098	Deceleration curve selection	00	00	
A101	[OI]–[L] input active range start frequency	0.0	0.0	
A102	[OI]–[L] input active range end frequency	0.0	0.0	
A103	[OI]–[L] input active range start current	0.0	0.0	
A104	[OI]–[L] input active range end current	100.	100.	
A105	[OI]–[L] input start frequency enable	01	01	
A141	A input select for calculate function	02	02	
A142	B input select for calculate function	03	03	
A143	Calculation symbol	00	00	
A145	ADD frequency	0.0	0.0	
A146	ADD direction select	00	00	
A151	Pot. input active range start frequency	0.0	0.0	
A152	Pot. input active range end frequency	0.0	0.0	
A153	Pot. input active range start current	0.0	0.0	
A154	Pot. input active range end current	0.0	0.0	
A155	Pot. input start frequency enable	01	01	

Fine Tuning Functions

“B” Group Parameters		Default Setting		User Setting
Func. Code	Name	-FE(F) (EU)	-FU (USA)	
B001	Selection of automatic restart mode	00	00	
B002	Allowable under-voltage power failure time	1.0	1.0	
B003	Retry wait time before motor restart	1.0	1.0	
B004	Instantaneous power failure / under-voltage trip alarm enable	00	00	
B005	Number of restarts on power failure / under-voltage trip events	00	00	
B012	Level of electronic thermal setting	Rated current for each inverter	Rated current for each inverter	
B212	Level of electronic thermal setting, 2nd motor	Rated current for each inverter	Rated current for each inverter	
B013	Electronic thermal characteristic	01	01	
B213	Electronic thermal characteristic, 2nd motor	01	01	
B021	Overload restriction operation mode	01	01	
B221	Overload restriction operation mode, 2nd motor	01	01	
B022	Overload restriction setting	Rated current x 1.5	Rated current x 1.5	
B222	Overload restriction setting, 2nd motor	Rated current x 1.5	Rated current x 1.5	
B023	Deceleration rate at overload restriction	1.0	30.0	
B223	Deceleration rate at overload restriction, 2nd motor	1.0	30.0	
B028	Overload restriction source selection	00	00	

“B” Group Parameters		Default Setting		User Setting
Func. Code	Name	-FE(F) (EU)	-FU (USA)	
B228	Overload restriction source selection, 2nd motor	00	00	
B031	Software lock mode selection	01	01	
B080	[AM] analog signal gain	100.	100.	
B082	Start frequency adjustment	0.5	0.5	
B083	Carrier frequency setting	5.0	5.0	
B084	Initialization mode (parameters or trip history)	00	00	
B085	Country code for initialization	01	02	
B086	Frequency scaling conversion factor	1.0	1.0	
B087	STOP key enable	00	00	
B088	Restart mode after FRS	00	00	
B090	Dynamic braking usage ratio	0.0	0.0	
B091	Stop mode selection	00	00	
B092	Cooling fan control	00	00	
B095	Dynamic braking control	00	00	
B096	Dynamic braking activation level	360/720	360/720	
B130	Over-voltage LADSTOP enable	00	00	
B131	Over-voltage LADSTOP level	00	00	
B140	Over-current trip suppression	00	00	
B150	Carrier mode	00	00	
B151	Quick start enable	00	00	

Intelligent Terminal Functions

“C” Group Parameters		Default Setting		User Setting
Func. Code	Name	-FE(F) (EU)	-FU (USA)	
C001	Terminal [1] function	00	00	
C201	Terminal [1] function, 2nd motor	00	00	
C002	Terminal [2] function	01	01	
C202	Terminal [2] function, 2nd motor	01	01	
C003	Terminal [3] function	02	16	
C203	Terminal [3] function, 2nd motor	02	16	
C004	Terminal [4] function	03	13	
C204	Terminal [4] function, 2nd motor	03	13	
C005	Terminal [5] function	18	09	
C205	Terminal [5] function, 2nd motor	18	09	
C006	Terminal [6] function	09	18	
C206	Terminal [6] function, 2nd motor	09	18	
C011	Terminal [1] active state	00	00	
C012	Terminal [2] active state	00	00	
C013	Terminal [3] active state	00	00	
C014	Terminal [4] active state	00	01	
C015	Terminal [5] active state	00	00	
C016	Terminal [6] active state	00	00	
C021	Terminal [11] function	01	01	
C022	Terminal [12] function	00	00	
C026	Alarm relay terminal function	05	05	
C028	[AM] signal selection	00	00	
C031	Terminal [11] active state	00	00	
C032	Terminal [12] active state	00	00	
C036	Alarm relay active state	01	01	
C041	Overload level setting	Inverter rated current	Inverter rated current	
C241	Overload level setting, 2nd motor	Inverter rated current	Inverter rated current	

“C” Group Parameters		Default Setting		User Setting
Func. Code	Name	-FE(F) (EU)	-FU (USA)	
C042	Frequency arrival setting for acceleration	0.0	0.0	
C043	Arrival frequency setting for deceleration	0.0	0.0	
C044	PID deviation level setting	3.0	3.0	
C052	PID FBV function high limit	100.0	100.0	
C053	PID FBV function low limit	0.0	0.0	
C071	Communication speed selection	06	04	
C072	Node allocation	1.	1.	
C074	Communication parity selection	00	00	
C075	Communication stop bit selection	1	1	
C076	Communication error select	02	02	
C077	Communication error time-out	0.00	0.00	
C078	Communication wait time	0.	0.	
C081	O input span calibration	100.0	100.0	
C082	OI input span calibration	100.0	100.0	
C085	Thermistor input tuning	100.0	100.0	
C086	[AM] terminal offset tuning	0.0	0.0	
C091	Debug mode enable	00	00	
C101	Up/Down memory mode selection	00	00	
C102	Reset selection	00	00	
C141	Input A select for logic output	00	00	
C142	Input B select for logic output	01	01	
C143	Logic function select	00	00	
C144	Terminal [11] ON delay	0.0	0.0	
C145	Terminal [11] OFF delay	0.0	0.0	
C146	Terminal [12] ON delay	0.0	0.0	
C147	Terminal [12] OFF delay	0.0	0.0	
C148	Output relay ON delay	0.0	0.0	
C149	Output relay OFF delay	0.0	0.0	

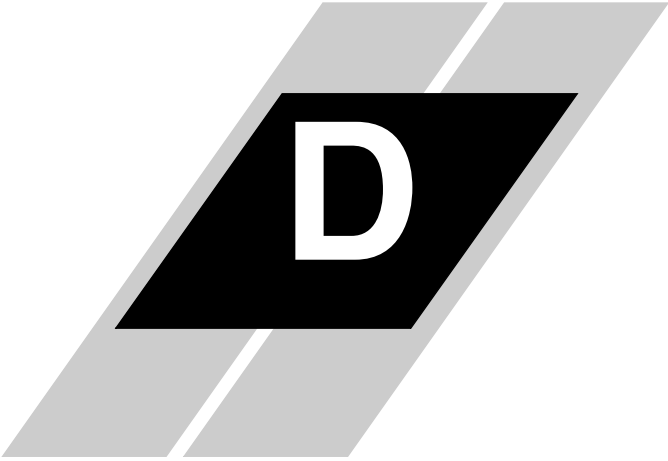
Motor Constants Functions

“H” Group Parameters		Default Setting		User Setting
Func. Code	Name	-FE(F) (EU)	-FU (USA)	
H003	Motor capacity	Specified by the inverter capacity	Specified by the inverter capacity	
H203	Motor capacity, 2nd setting	Specified by the inverter capacity	Specified by the inverter capacity	
H004	Motor poles setting	4	4	
H204	Motor poles setting, 2nd motor	4	4	
H006	Motor stabilization constant	100	100	
H206	Motor stabilization constant, 2nd motor	100	100	
H007	Motor voltage select	Specified by the inverter voltage	Specified by the inverter voltage	
H207	Motor voltage select, 2nd motor	Specified by the inverter voltage	Specified by the inverter voltage	

Expansion Card Functions

“P” Group Parameters		Default Setting		User Setting
Func. Code	Name	-FE(F) (EU)	-FU (USA)	
P044	Network comm watchdog timer	1.00	1.00	
P045	Inverter action on network comm error	01	01	
P046	Polled I/O output instance number	21	21	
P047	Polled I/O input instance number	71	71	
P048	Inverter action on network idle mode	01	01	
P049	Network motor poles setting for RPM	0	0	

CE-EMC Installation Guidelines



In This Appendix....	page
— CE-EMC Installation Guidelines	2
— Hitachi EMC Recommendations	6

CE-EMC Installation Guidelines

You are required to satisfy the EMC directive (89/336/EEC) when using an SJ2002 inverter in an EU country. To satisfy the EMC directive and to comply with standard, follow the guidelines in this section.

1. As user you must ensure that the HF (high frequency) impedance between adjustable frequency inverter, filter, and ground is as small as possible.
 - Ensure that the connections are metallic and have the largest possible contact areas (zinc-plated mounting plates).
2. Avoid conductor loops that act like antennas, especially loops that encompass large areas.
 - Avoid unnecessary conductor loops.
 - Avoid parallel arrangement of low-level signal wiring and power-carrying or noise-prone conductors.
3. Use shielded wiring for the motor cable and all analog and digital control lines.
 - Allow the effective shield area of these lines to remain as large as possible; i.e., do not strip away the shield (screen) further away from the cable end than absolutely necessary.
 - With integrated systems (for example, when the adjustable frequency inverter is communicating with some type of supervisory controller or host computer in the same control cabinet and they are connected at the same ground + PE-potential), connect the shields of the control lines to ground + PE (protective earth) at both ends. With distributed systems (for example the communicating supervisory controller or host computer is not in the same control cabinet and there is a distance between the systems), we recommend connecting the shield of the control lines only at the end connecting to the adjustable frequency inverter. If possible, route the other end of the control lines directly to the cable entry section of the supervisory controller or host computer. The shield conductor of the motor cables always must connected to ground + PE at both ends.
 - To achieve a large area contact between shield and ground + PE-potential, use a PG screw with a metallic shell, or use a metallic mounting clip.
 - Use only cable with braided, tinned copper mesh shield (type “CY”) with 85% coverage.
 - The shielding continuity should not be broken at any point in the cable. If the use of reactors, contactors, terminals, or safety switches in the motor output is necessary, the unshielded section should be kept as short as possible.
 - Some motors have a rubber gasket between terminal box and motor housing. Very often, the terminal boxes, and particularly the threads for the metal PG screw connections, are painted. Make sure there is always a good metallic connection between the shielding of the motor cable, the metal PG screw connection, the terminal box, and the motor housing. If necessary, carefully remove paint between conducting surfaces.

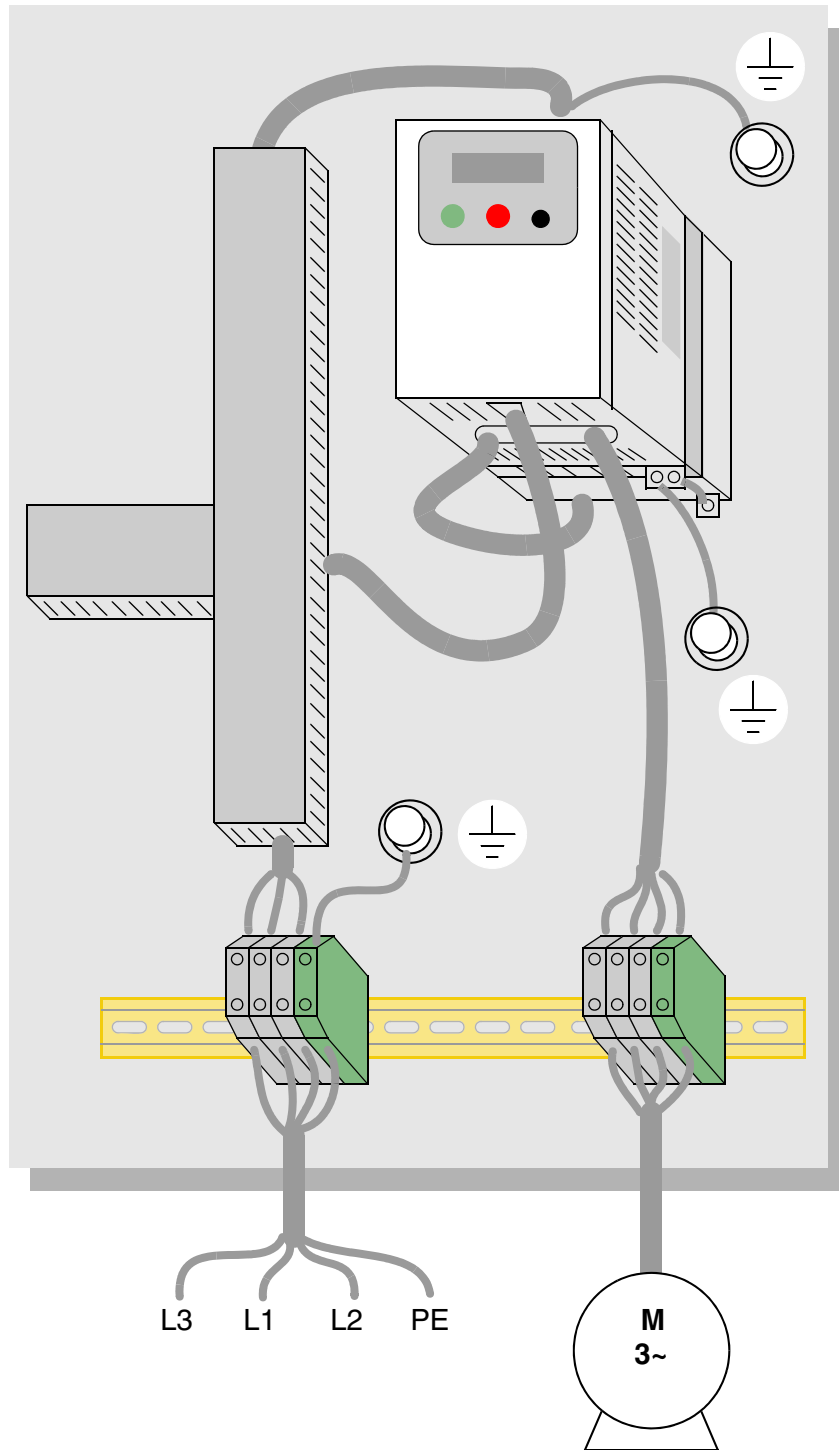
4. Take measures to minimize interference that is frequently coupled in through installation cables.
 - Separate interfering cables with 0.25m minimum from cables susceptible to interference. A particularly critical point is laying parallel cables over longer distances. If two cables intersect (one crosses over the other), the interference is smallest if they intersect at an angle of 90°. Cables susceptible to interference should therefore only intersect motor cables, intermediate circuit cables, or the wiring of a rheostat at right angles and never be laid parallel to them over longer distances.
5. Minimize the distance between an interference source and an interference sink (interference-threatened device), thereby decreasing the effect of the emitted interference on the interference sink.
 - You should use only interference-free devices and maintain a minimum distance of 0.25 m from the adjustable frequency inverter.
6. Follow safety measures in the filter installation.
 - Ensure that the ground terminal (PE) of the filter is properly connected to the ground terminal of the adjustable frequency inverter. An HF ground connection via metal contact between the housings of the filter and the adjustable frequency inverter, or solely via cable shield, is not permitted as a protective conductor connection. The filter must be solidly and permanently connected with the ground potential so as to preclude the danger of electric shock upon touching the filter if a fault occurs.

To achieve a protective ground connection for the filter:

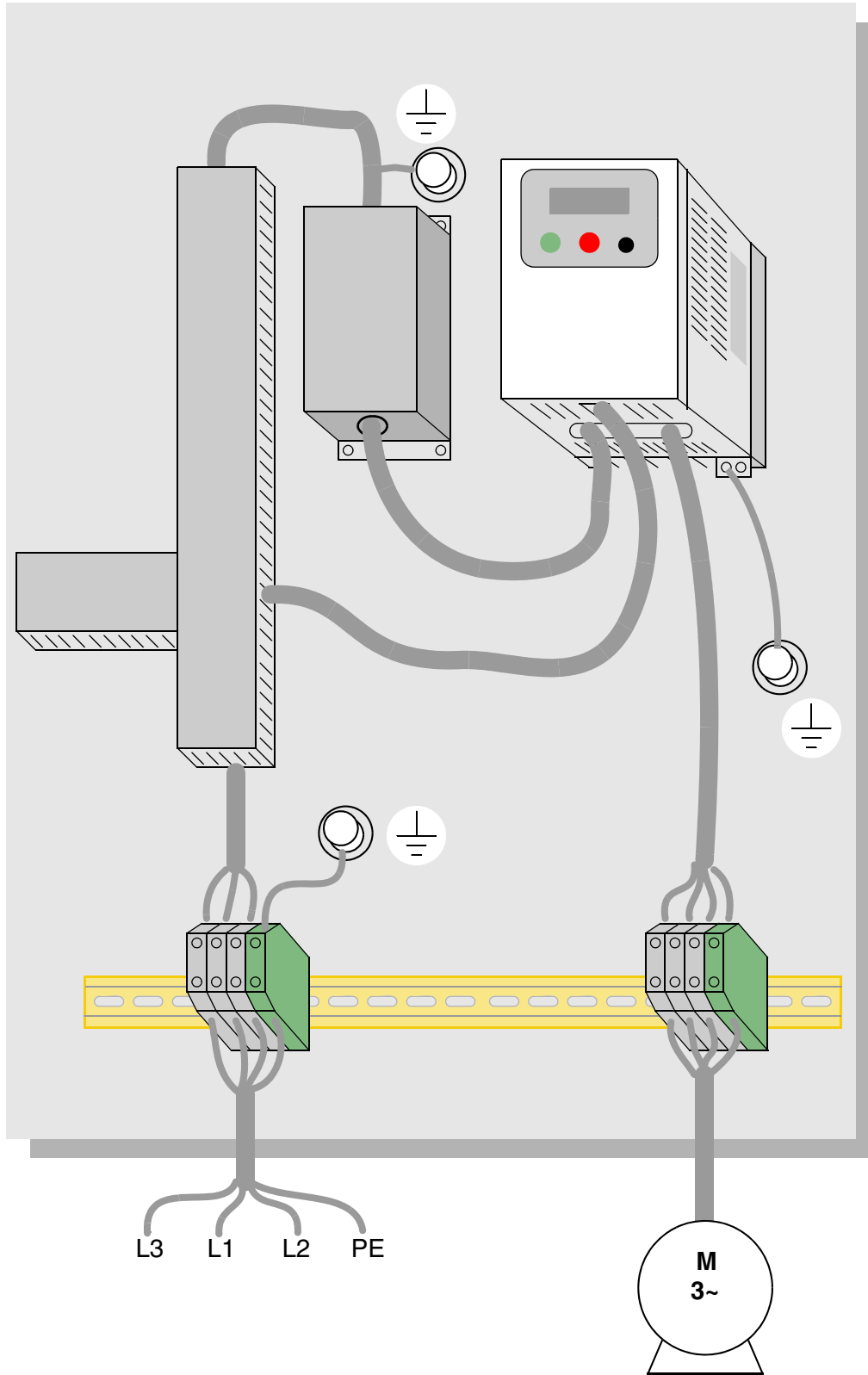
- Ground the filter with a conductor of at least 10 mm² cross-sectional area.
- Connect a second grounding conductor, using a separate grounding terminal parallel to the protective conductor. (The cross section of each single protective conductor terminal must be sized for the required nominal load.)

Some SJ2002 inverters designed for use in Europe (-xxxNFEF/xxxHFEF models) have built-in line filters. Inverter models -xxxNFE/xxxHFE do not have built-in line filters. In the event your application needs additional filtering, the following diagrams show control panel mounting and wiring examples for different filter types.

SJ2002 inverter with footprint-type filter



SJ2002 inverter with book-type filter



Hitachi EMC Recommendations

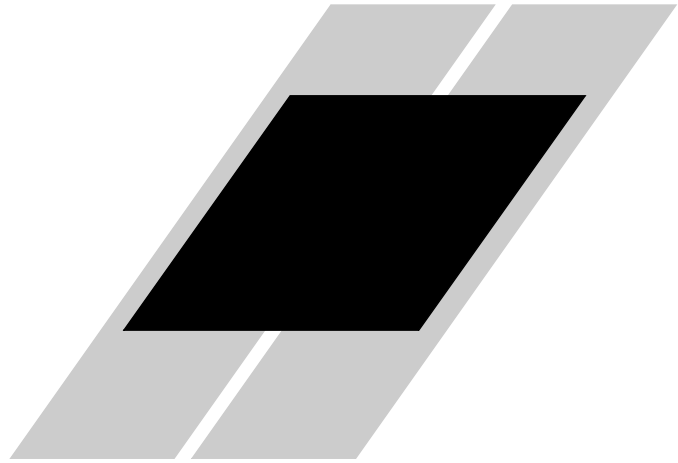


WARNING: This equipment should be installed, adjusted, and serviced by qualified personal familiar with construction and operation of the equipment and the hazards involved. Failure to observe this precaution could result in bodily injury.

Use the following checklist to ensure the inverter is within proper operating ranges and conditions.

1. The power supply to SJ2002 inverters must meet these specifications:
 - Voltage fluctuation $\pm 10\%$ or less
 - Voltage imbalance $\pm 3\%$ or less
 - Frequency variation $\pm 4\%$ or less
 - Voltage distortion THD = 10% or less
2. Installation measure:
 - Use a filter designed for SJ2002 inverter.
3. Wiring:
 - Shielded wire (screened cable) is required for motor wiring, and the length must be less than 5 meters.
 - The carrier frequency setting must be less than 5 kHz to satisfy EMC requirements.
 - Separate the power input and motor wiring from the signal/process circuit wiring.
4. Environmental conditions—when using a filter, follow these guidelines:
 - Ambient temperature: -10 to 40 °C
 - Humidity: 20 to 90% RH (non-condensing)
 - Vibration: 5.9 m/sec² (0.6 G) 10 ~ 55Hz
 - Location: 1000 meters or less altitude, indoors (no corrosive gas or dust)

Index



A

- A Group functions 3–9
- AC reactors 5–3
- Acceleration 1–22, 3–8
 - characteristic curves 3–27
 - second function 3–25
 - two-stage 4–19
- Access levels 3–5, 3–37, 4–23
- Accessories 5–2
- ADD frequency 3–30
 - enable input 4–33
- Alarm signal 4–37, 4–44
- Algorithms, torque control 3–5, 3–61
- Ambient temperature 2–11, A–2
- Analog inputs
 - calibration settings 3–57
 - current/voltage select 4–24
 - disconnect detect 4–46
 - operation 4–54
 - settings 3–13, 3–28
 - wiring examples 4–54
- Analog outputs
 - configuration 3–54
 - operation 4–56
- Arrival frequency A–2
- Automatic restart 3–32
- Automatic voltage regulation 2–30, 3–24
- Auto-tuning A–2
- AVR 2–30, 3–24

B

- B Group functions 3–32
- Base frequency 2–30, A–2
 - setting 3–12
- Bibliography A–8
- Braking 1–21
 - dynamic 5–5
 - resistive 1–24
 - settings 3–20
- Braking resistor 2–8, A–2
- Braking resistor selection
 - external braking units 5–9
 - internal braking units 5–8
- Braking unit 2–8
- Break-away torque A–2

C

- C Group functions 3–45
- Calculate function 3–29
- Capacitor life curve 6–11
- Carrier frequency 3–39, A–2
- Carrier Mode Setting 3–44
- Catching a spinning motor 3–41
- Cautions
 - general ix
 - index to... iv
 - inverter mounting 2–10
 - operating procedures 4–2
- CE approval A–2
- CE-EMC guidelines D–2
- Chassis ground connection 1–24, 2–22
 - error code 6–6

Choke 2-8, 5-4, A-2
Chopper frequency 3-39
Circuit breaker sizes xiv, 2-18
Clearance for ventilation 2-11
Coasting 3-41
Connectors
 logic terminals 2-5
 removal 2-5
 serial port 2-3, B-3
Constant torque 3-17
Constant volts/hertz operation 1-19
Contact information xviii
Control algorithms 3-17
Copy unit 1-3, 3-2
Cover removal 2-4
Current input 3-13
Current overload 2-31, 3-35
Current/voltage analog input select 4-24

D

D Group parameters 3-6
DC braking 3-20, 4-16, 4-17, A-3
Deadband A-3
Deceleration 1-22, 3-8, 4-16
 characteristic curves 3-27
 second function 3-25
 two-stage 4-19
Default settings
 listing C-2
 restoring 6-8
Delay function, output circuits 3-60, 4-38
Derating curves 1-12
Derivative gain 3-23
Digital operator 1-3, 2-25, 3-3, A-3
Dimensions
 inverter 2-12
 terminals 2-19
Diode A-3
DIP switch configuration 2-6, 2-28, 3-10, 4-9, B-4
Disconnect detect, analog input 4-46
Duty cycle A-3
Dynamic braking 1-21, 5-5, A-3
 error code, usage exceeded 6-5
 usage ratio 3-42, 5-6

E

Editing parameters 2-25, 2-28
 in Run Mode 3-5, 3-37, 4-23
Electromagnetic compatibility D-2
Electronic thermal overload xiv
 configuration 3-33
 error code 6-5
EMC installation
 guidelines D-2
 recommendations D-6
EMI A-3
EMI filter xi, 5-4
Environmental specs 1-10
Error codes, trip events 6-5
Error, PID loop 4-43, A-3
Event clearing 4-25
Expansion card functions 3-62
External trip 4-21
 error code 6-6

F

F Group functions 3-8
Factory default settings 3-39
 restoring 6-8
Fan control 3-42
Fan outlet 2-11, 2-23
FAQ 1-23
Features 1-2, 2-2
Filters, noise suppression 5-2
Fine-tuning functions 3-32
Force operation from digital operator 4-32
Force terminal mode 4-34
Forward run command 4-12
Four-quadrant operation A-3
Free-run stop 3-41, 4-16, 4-20, A-3
Frequency arrival signals 4-40
Frequency display scaling 3-39
Frequency limits 3-21
Frequency matching 3-41
Frequency setting A-4
Frequency source setting 3-9, 4-32, 4-34
Frequency-related functions 3-21
Frequently asked questions 1-23
Functions 1-21, 2-26
Fuse sizes xiv, 2-18

G

Glossary of terms A-2

H

H Group parameters 3-61

Harmonics A-4

History of trip events 3-7

Horsepower A-4

I

IGBT 1-18, A-4

test method 6-15

Index of terminal functions 4-7

Inertia A-4

Initialization 6-8

codes 3-39

Input circuits 4-4, 4-9

Inspection

electrical measurements 6-12

IGBT test method 6-15

measurement techniques 6-14

procedures 6-9

unpacking 2-2

Installation instructions 2-9

Instantaneous power failure alarm 3-32

Insulation test 6-10

Integral gain 3-23

Intelligent input terminals 3-45, 4-9

Intelligent output terminals 3-52, 4-36

Intelligent sensorless vector control 1-23, 3-18, A-4

Intelligent terminals

definition A-4

functions 3-45

index 4-7

Inverter 1-23, A-4

dimensions 2-12

specifications 1-5

iSLV 1-23, 3-17, 3-18, A-4

Isolation transformer A-5

J

Jog command 4-16

Jog frequency settings 3-15

Jogging operation A-5

Jump frequencies 3-22, A-5

K

Keypad 1-3, 2-2, 3-2

features 2-25, 3-3

navigation 2-27, 3-4

navigation, trip events 6-7

removal and installation 2-3

L

LEDs 2-3, 2-24, 2-25, 2-33, 3-3

Line reactor A-5

Linear accel/decel 3-27

Logic output function 3-59, 4-51

Logic terminals 2-5, 3-45, 3-52, 4-6

M

Main profile parameters 3-8

Maintenance procedures 6-9

Manual torque boost 3-17

Maximum frequency setting 3-12

Megger test 6-10

ModBus

data listing B-19

introduction to network B-2

Model number

convention 1-4

on nameplate 1-4

Momentum A-5

Monitor mode 2-27, 2-33, 2-34, 3-4, 3-5, 6-5

Monitoring functions 3-6

Motor

constants 3-61

load A-5

poles 1-24, 2-32, 3-61

speed 2-34

voltage selection 3-61

wiring 2-22

Mounting

clearance for ventilation 2-11

dimensions 2-12

location 2-10

Multiple motors, configuration 4-59

Multi-speed

operation 4-13, A-5

profiles 1-22

settings 3-15

N

- Nameplate 1-4
- Navigational map 2-27, 3-4
 - trip events 6-7
- NEC A-5
- NEMA
 - definition A-5
 - rated installation 1-3
- Network communications 1-23, 2-3, B-2
 - detection signal 4-50, 4-53
 - error code 6-6
 - ModBus data listing B-19
 - parameter settings B-5
 - protocol reference B-6
 - termination resistor B-4
- Noise filters 5-2
 - AC reactor 2-8

O

- OPE/485 serial port configuration 2-6, B-4
- Open-collector outputs 4-36, A-5
- Operational modes 3-5
- Operator interfaces 1-3
- Option card detection signal 4-53
- Optional components 1-2, 2-8
- Orientation 2-2
- Output circuits 4-4, 4-36
 - delay function 3-60, 4-38
- Output deviation for PID control 4-43
- Output frequency 2-33
 - setting 3-8
- Output function adjustment parameters 3-54
- Output overload 3-35
- Output terminals 2-22
- Over-current trip 3-32
- Overload advance notice signal 4-42
- Overload protection xiv
 - configuration 3-33
 - error code 6-5
- Overload restriction 3-35
- Override, source settings 3-11
- Over-voltage LADSTOP functions 3-42
- Over-voltage trip 3-32
 - error code 6-5, 6-6

P

- P Group functions 3-62
- Parameter editing 2-25, 2-28
- Parameter settings 1-21, 2-26
 - listings C-2
- PID loop 1-25
 - clear input 4-29
 - configuration 4-58
 - definition A-6
 - error 4-43, A-3
 - error inversion 4-58
 - ON/OFF input 4-29
 - operation 4-57
 - output limit 4-58
 - process variable, definition A-6
 - second stage output 4-47
 - settings 3-23
- PLC, connecting to 4-4
- Poles of motor 1-24, 2-32, 3-61
- Potentiometer 2-28, 3-9, 4-54
- Power factor A-5
- Power fail 3-32
- Powerup Test 2-23
 - observations 2-34
- Powerup, unattended start 4-22
 - error code 6-6
- Preventative maintenance 6-9
- Process variable A-6
- Program mode 2-27, 2-34, 3-4, 3-5
- Programming device 3-2
- Proportional gain 3-23
- PV source setting 3-23
- PWM A-6

Q

- Quick start enable 4-35

R

Ratings label 1-4
Reactance A-6
Read/write copy unit 1-3
Ready input 4-35
Rectifier A-6
Reduced torque 3-17
Regenerative braking A-6
Regulation A-6
Regulatory agency approvals 1-4
Relay
 alarm signal contacts 4-44
 as intelligent output 4-37
Remote control 4-30
Reset function 3-58, 4-25
Restart Mode configuration 3-41
Reverse run command 4-12
Reverse torque A-6
Revision history xvii
RF noise filter 5-4
RJ-45 modular connector 2-3, B-3
Rotor A-6
RPM 2-34
Run command 4-12
Run command source setting 2-29, 3-9, 4-32, 4-34
Run mode 2-34, 3-5
Run signal 4-39
Running the motor 2-33
Run-time edits 3-5, 3-37, 4-23

S

Safety messages i
Saturation voltage A-6
Scaling 3-39
S-curve accel/decel 3-27
Second accel and decel 3-25
Second motor 4-18
Second stage output 4-47
Sensorless vector control A-7
Serial port B-3
Service, warranty 6-16
Set 2nd motor 4-18, 4-59
Setpoint A-7
Single-phase power A-7
Sink/source input configuration 4-9
Slip
 compensation, iSLV 3-18
 definition A-7
Software lock 3-5, 3-37, 4-23
Source/sink input configuration 2-6
Spare parts 6-11
Special-Set 2nd motor 4-18
Specifications
 control logic signals 1-11, 4-6
 derating curves 1-12
 general 1-10
 inverter 1-5
 inverter label 1-4
Speed control 1-18, 1-22, 4-13
Speed pot 2-28
Squirrel cage A-7
Standard functions 3-9
Start frequency 3-39
Stator A-7
Stop command 4-12
Stop Mode configuration 3-41
Supply wiring 2-19
Switches, configuration 2-6
Switching frequency 3-39
Symbol definitions i
System description 2-8

T

- Tachometer A-7
- Technical support xviii
- Term definitions A-2
- Terminal/program source configuration 2-6, 2-28, 3-10
- Terminals
 - arrangement 2-20
 - listing 4-7
 - torque specs xiii, 2-19
- Termination resistor, network B-4
- Thermal protection
 - inverter, error code 6-6
 - motor 4-26
- Thermal switch A-7
- Thermistor
 - definition A-7
 - error code 6-6
 - input terminal 4-26
 - input tuning 3-57
- Three-phase power
 - definition A-8
 - motor phase connections 1-19
 - wiring precautions 2-21
- Three-wire interface operation 4-27
- Torque 1-19, A-8
- Torque boost 3-17
- Torque control algorithms 3-5, 3-17, 3-61
- Torque specs, terminals xiii, 2-19
- Transistor A-8
- Trip events 3-7, 4-25
 - clearing 6-5
 - definition A-8
 - error codes 6-5
 - external input 4-21
 - history of 6-7
 - monitoring 6-5
- Troubleshooting tips 6-3
- Two-stage accel/decel 4-19

U

- UL instructions xii
- Unattended start protection 4-22
 - error code 6-6
- Under-voltage alarm 3-32
- Under-voltage trip 3-32
 - error code 6-5, 6-6
- Unpacking 2-2
- Up/Down functions 4-30

V

- V/f control 3-17
- Variable torque 3-17
- Variable-frequency drives
 - introduction 1-18
- Velocity profile 1-22
- Ventilation 2-11, 2-23
- Voltage gain 3-18
- Voltage input 3-13

W

- Warnings
 - general ix
 - index to... iv
 - operating procedures 4-3
 - troubleshooting 6-2
- Warranty 6-16
- Watt loss A-8
- Wiring
 - access 2-7
 - analog inputs 4-54
 - gauge xiii, 2-18
 - inverter output 2-22
 - logic connectors 2-22, 4-6
 - power input 2-19
 - preparation 2-17
 - relay contacts 4-6
 - system diagram 4-5

Z

- Zero-phase reactor 5-4

Contact Information

Hitachi America, Ltd.
Power and Industrial Division
50 Prospect Avenue
Tarrytown, NY 10591
U.S.A.
Phone: +1-914-631-0600
Fax: +1-914-631-3672

Hitachi Australia Ltd.
Level 3, 82 Waterloo Road
North Ryde, N.S.W. 2113
Australia
Phone: +61-2-9888-4100
Fax: +61-2-9888-4188

Hitachi Europe GmbH
Am Seestern 18
D-40547 Düsseldorf
Germany
Phone: +49-211-5283-0
Fax: +49-211-5283-649

Hitachi Industrial Equipment Systems Co., Ltd.
AKS Building, 3, Kanda Neribeicho
Chiyoda-ku, Tokyo, 101-0022
Japan
Phone: +81-3-4345-6910
Fax: +81-3-4345-6067

Hitachi Asia Ltd.
16 Collyer Quay
#20-00 Hitachi Tower, Singapore 049318
Singapore
Phone: +65-538-6511
Fax: +65-538-9011

Hitachi Industrial Equipment Systems Co, Ltd.
Narashino Division
1-1, Higashi-Narashino 7-chome
Narashino-shi, Chiba 275-8611
Japan
Phone: +81-47-474-9921
Fax: +81-47-476-9517

Hitachi Asia (Hong Kong) Ltd.
7th Floor, North Tower
World Finance Centre, Harbour City
Canton Road, Tsimshatsui, Kowloon
Hong Kong
Phone: +852-2735-9218
Fax: +852-2735-6793



NOTE: To receive technical support for the Hitachi inverter you purchased, contact the Hitachi inverter dealer from whom you purchased the unit, or the sales office or factory contact listed above. Please be prepared to provide the following inverter nameplate information:

1. Model
2. Date of purchase
3. Manufacturing number (MFG No.)
4. Symptoms of any inverter problem

If any inverter nameplate information is illegible, please provide your Hitachi contact with any other legible nameplate items. To reduce unpredictable downtime, we recommend that you stock a spare inverter.
