

# INSTALLATION MANUAL

# EASY-USB

USB - UART TTL converter



DOCUMENTATION



SENECA s.r.l.

Via Austria, 26 – 35127 – PADOVA – ITALY

Tel. +39.049.8705355 - 8705359 - Fax +39.049.8706287

For manuals in other languages and the configuration software, visit [www.seneca.it/products/easy-usb](http://www.seneca.it/products/easy-usb)

This document is the property of SENECA srl. Copies and reproduction are prohibited unless authorised. The content of this document corresponds to the described products and technologies. Stated data may be modified or supplemented for technical and/or sales purposes.

## DISCLAIMER



Before executing any operation it is advised to read all the content of this manual. Only electrical-skilled technicians can use the module described in this installation manual. Is installer's responsibility to assure that the installation is in compliance to the security standards regulated from the law.



Only the Manufacturer is authorized to repair the module or to replace damaged components.

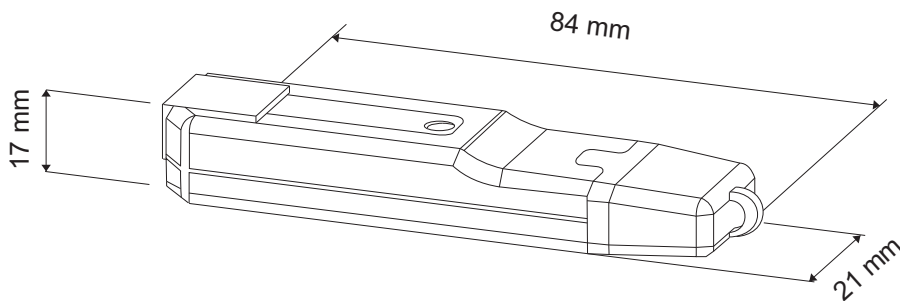


No warranty is guaranteed in connection with faults resulting from improper use, from modifications or repairs carried out by Manufacturer-unauthorised personnel on the module.



Smaltimento dei rifiuti elettrici ed elettronici (applicabile nell'Unione Europea e negli altri paesi con raccolta differenziata). Il simbolo presente sul prodotto o sulla confezione indica che il prodotto dovrà essere consegnato al centro di raccolta autorizzato per il riciclo dei **rifiuti elettrici ed elettronici**.

## DIMENSION



## DESCRIPTION AND GENERAL SPECIFICATIONS

The EASY-USB is a serial communication converter that convert the signal from the USB to a standard UART TTL signal and viceversa.

The EASY-USB can be use to configure a Seneca device that has an UART TTL serial port.

Thanks to the driver downloadable via QR-CODE on page 1 the EASY-USB will be configured as a standard communication port, this allow to use the EASY-USB with any configuration software that exploit the serial standard port (COM1, COM2, etc ).

### General specification

- Compatible with the mai OS

- √ Windows 10/8.1/8/7, Vista, XP
- √ Windows Server 2016, 2012 R2, 2012, 2008 R2, 2008, 2003
- √ Linux kernel 3.0.0-19 o successivo
- √ Mac OS X 10.3 o successivo, Mac OS 9, Mac OS 8
- √ Windows Mobile 6.5/5, Windows Mobile 2003SE/2003
- √ Windows CE 2013, Windows CE 7.0/6.0, Windows CE 5.2-4.2

- Plug&play for higher revision of WindowsXP.
- Powers the device to be configured
- Communication port protected from short-circuits
- Compatible with USB up to 2.0
- RJ11 connetor for UART TTL communication port
- Standard USB A type
- Communication and power supply status are shown from LED

## TECHJICAL SPECIFICATION

### Seriale UART TTL

Connector	Rj11 type
Voltage level for TTL	5V
Baud rate	300 bps fino a 250 Kbps

### Serial USB

Connector	Standard USB A type
USB standars compatibility	1.0, 1.1 e 2.0

### Power supply

Voltage	5V from PC @ 100 mA
Connection modality	From USB

### Environmental condition

Index protection	IP20
Operating temperature	-25 °C.. +65 °C
Humidity	10 ..90% a 40 °C non-condensing
Storage temperature	-40 .. +85°C

### Box

Dimension	84 x 21 x 17 mm
Box	PVC, trasparente

### Standards

Standards	EN61000-6-4/2007 (electromagnetic emission, industry).
	EN64000-6-2/2005 (electromagnetic immunity, industry).
	EN61010-1/2001 (safety)

## PRELIMINARY INSTRUCTION FOR USE

The EASY-USB can be used in any position and place in accordance to expected environmental conditions.

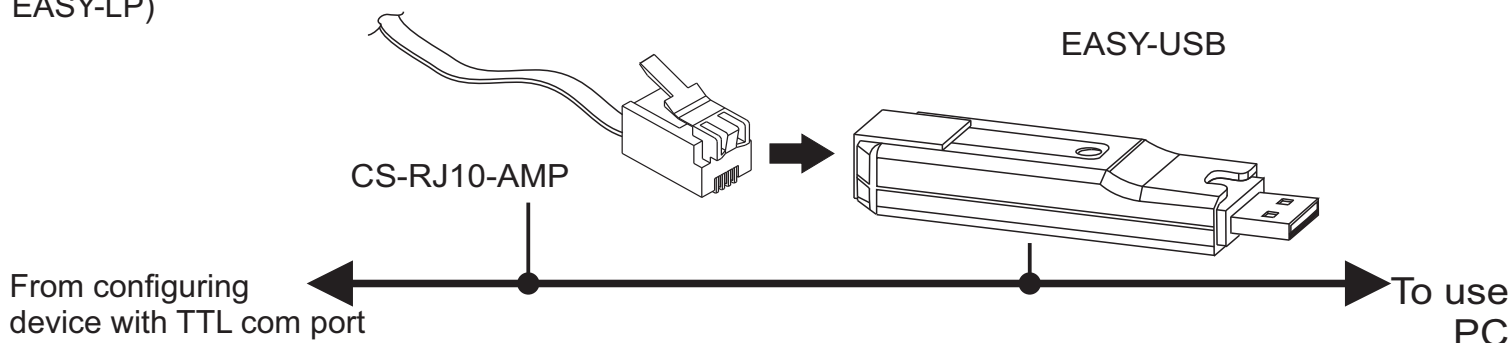
**N.B.:** Is recommended to use a communication cable that don't exceeds the lenght of 3 m to avoid something problems about communication.

## ELECTRICAL CONNECTIONS

The picture below shows how to connect the EASY-USB to configuring a Seneca device with TTL serial port.

From the left to the right:

Seneca device to configuring with TTL com port (T120, T121, EASY-GSM, K121, K111 etc..), PM002412 (programming cable), EASY-USB (TTL-USB converter), user PC with installed configuration software (for eg. EASY-LP)



## CONTACT

Technical support

[support@seneca.it](mailto:support@seneca.it)

Product information

[sales@seneca.it](mailto:sales@seneca.it)